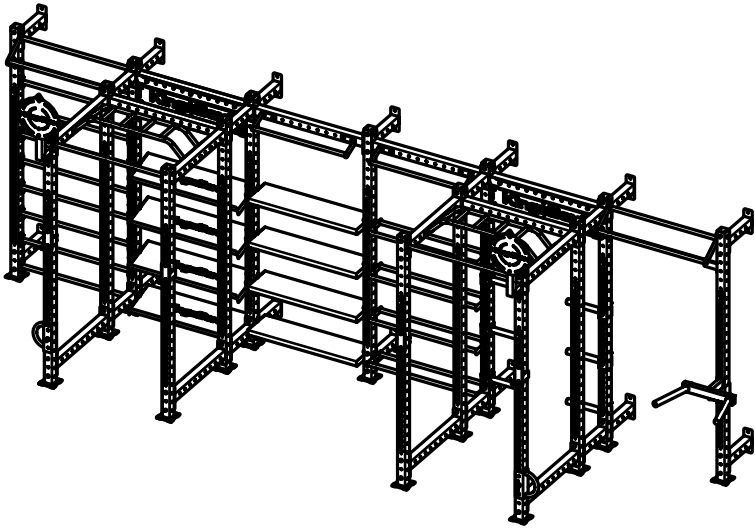


Mighty Double Strength Station



KingsBox®
BUILDING BETTER HUMANS

ATTENZIONE!

Se la struttura non viene fissata a terra e/o al muro, può rib-altarsi e/o provocare danni a persone o oggetti in immediata vicinanza.

I bulloni per il fissaggio del rig a muro e/o al pavimento non sono inclusi nel pacco, in quanto per diversi tipi di muro e pavimentazione bisogna utilizzare diversi tipi di bulloni d'ancoraggio.

OPOZORILO!

Če se struktura prevrne, lahko pride do resnih telesnih poškodb. Da bi preprečili nevarnost, da se ta struktura prevrne, mora biti pritrjena na steno in / ali v tla.

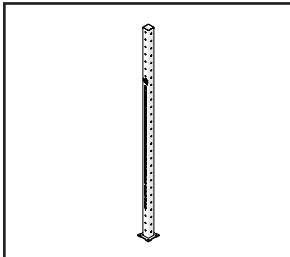
Vijaki za pritrjevanje strukture na steno oz. tla niso priloženi, saj različne sestave zidov oz. tal zahtevajo različne vrste pritrdilnih elementov. Uporabite take, ki ustrezajo sestavi vaše stene oz. tal.

WARNING!

If the structure is not secured to the ground and / or to the wall, it may overturn and / or cause damage to person or object in the immediate vicinity.

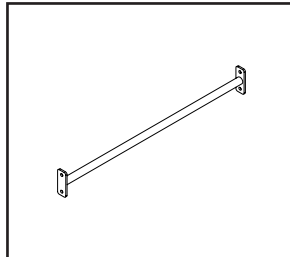
The fixing bolts for wall and / or floor are not included in the pack-age, since different types of anchor bolts must be used for different wall / floor types.

Assembly elements:



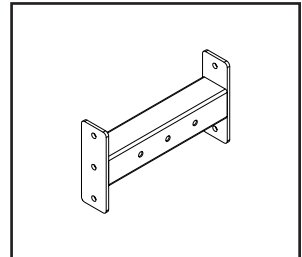
Position 1

**Upright CX Mighty
2500**



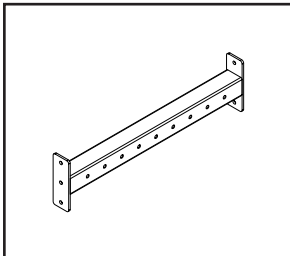
Position 2

PU Bar 1100



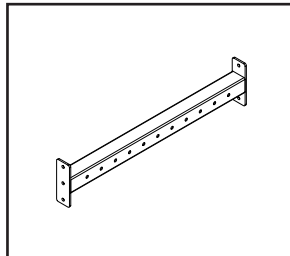
Position 3

Linked Profile 400 F



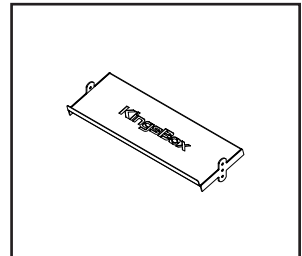
Position 4

Linked Profile 900 F



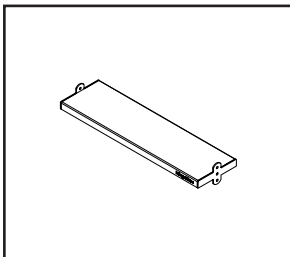
Position 5

**Monkey Profile 1100
F**



Position 6

Dumbbell Shelf 1100

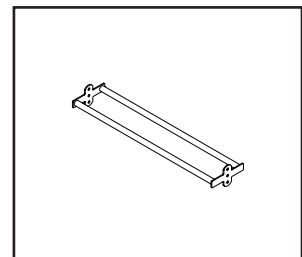


Position 7

Kettlebell Shelf 1100



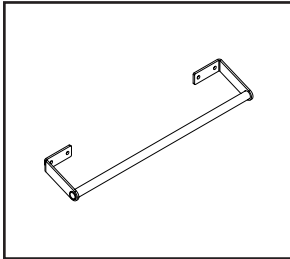
Position 8



Position 9

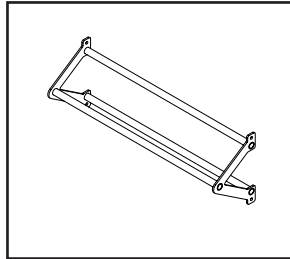
SB Shelf 1100

Assembly elements:



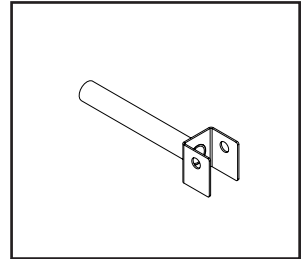
Position 10

**Monkey Mount S PU
Bar 950**



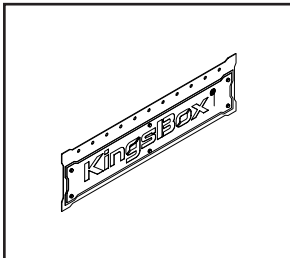
Position 11

Triangle Bar S 1100



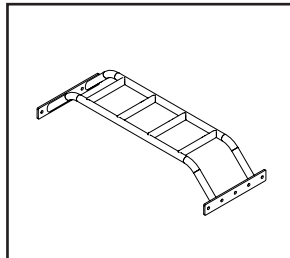
Position 12

**Bumper Rack for
Rig F**



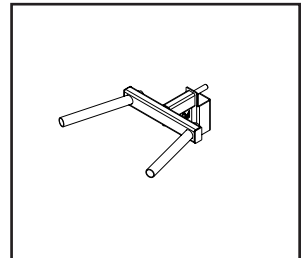
Position 13

Manifesto Sign II.



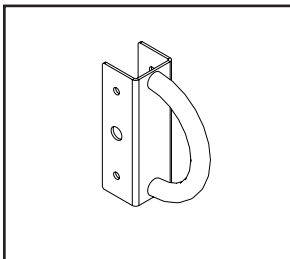
Position 14

Multi Grip Bar 1100



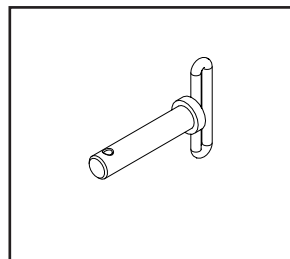
Position 15

Crown Dip Bar F II.



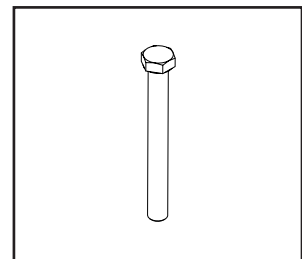
Position 16

Batle Rope Hook F



Position 17

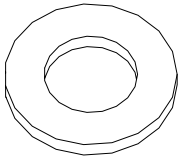
Pin Bolt fi 25



Position 18

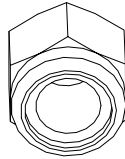
M12x110

Assembly elements:



Position 19

Washer M12



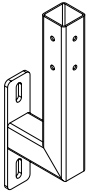
Position 20

M12 Nuts



Position 21

WB Target III.



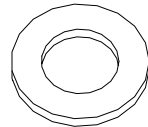
Position 22

WB II. Holder S



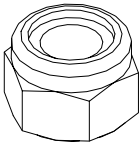
Position 23

M8x80 Torban



Position 24

Washer M8

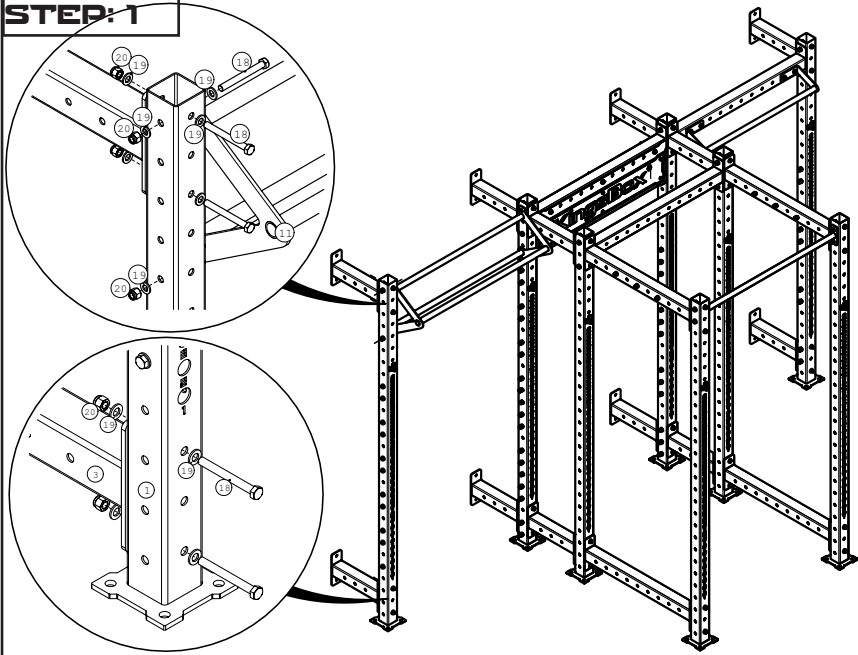


Position 25

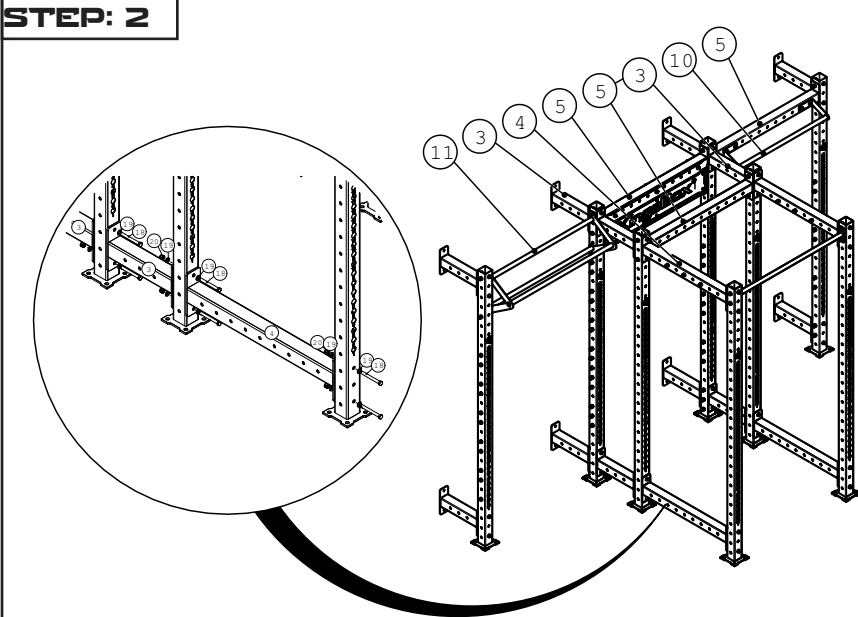
M8 Nuts

Assembly instruction:

STEP: 1

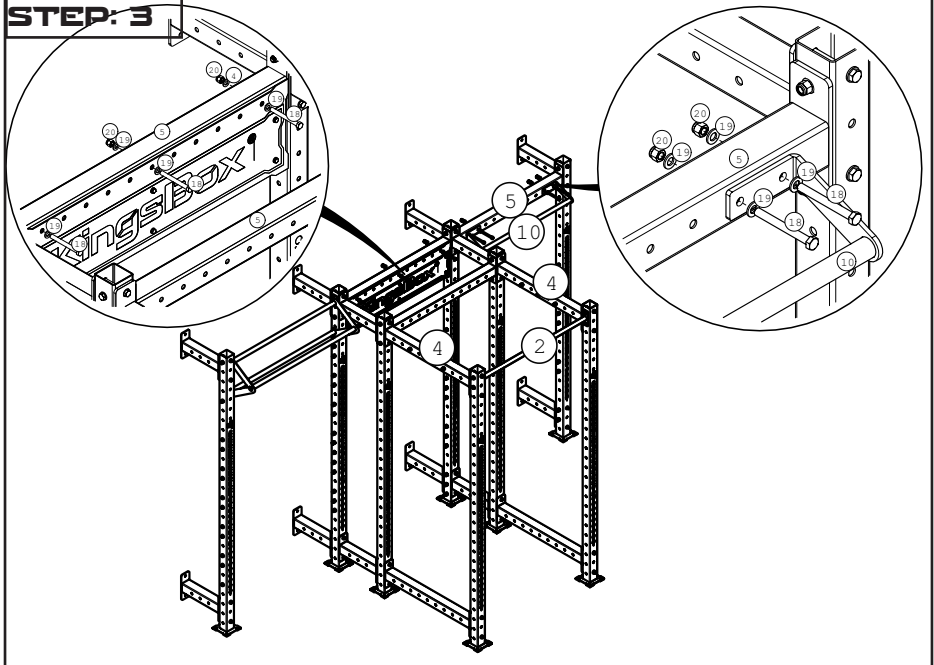


STEP: 2

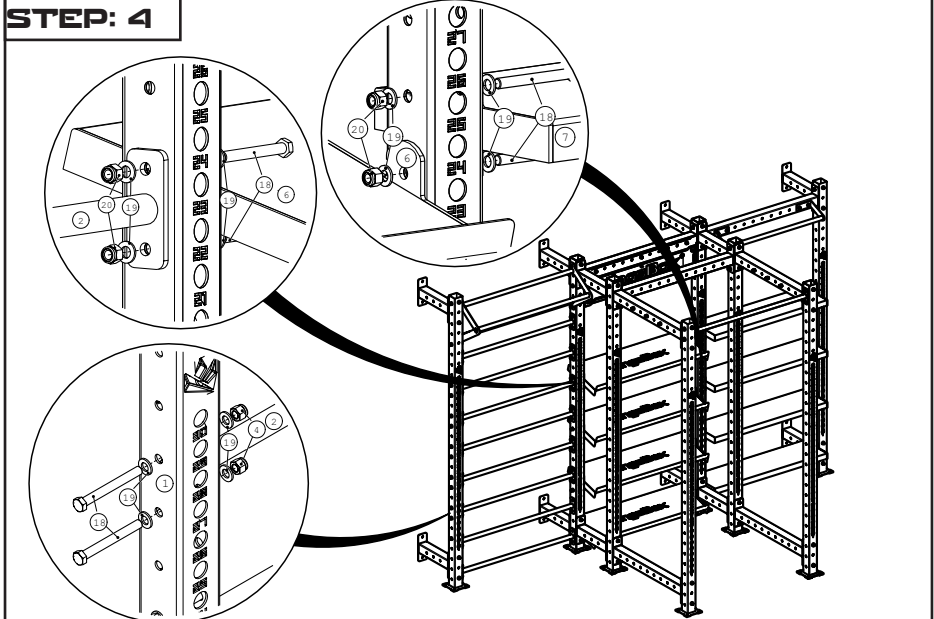


Assembly instruction:

STEP: 3

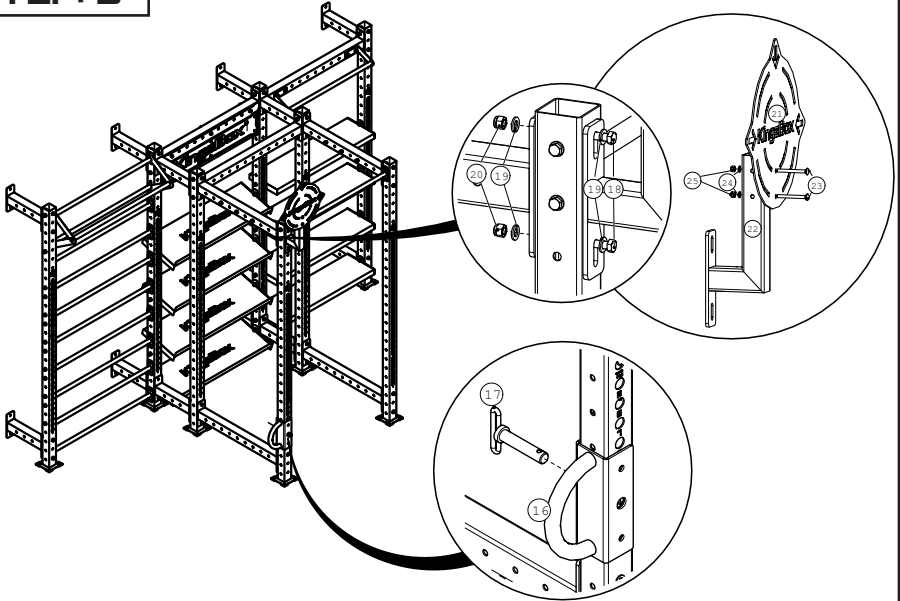


STEP: 4

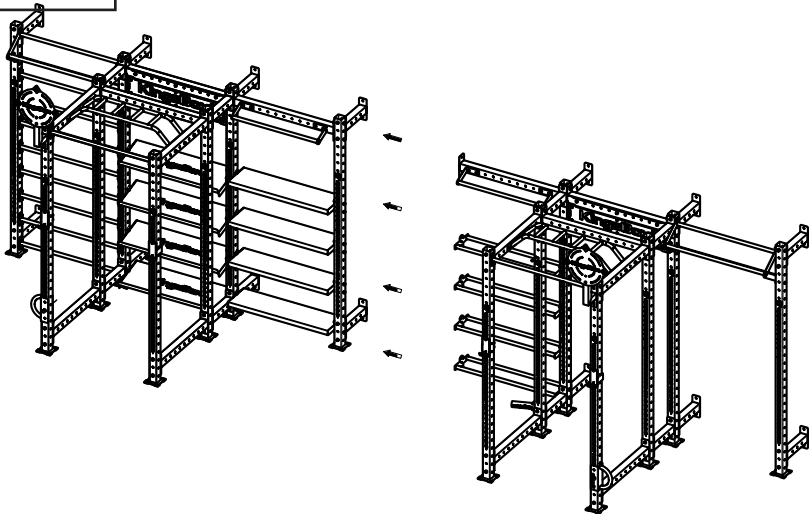


Assembly instruction:

STEP: 5

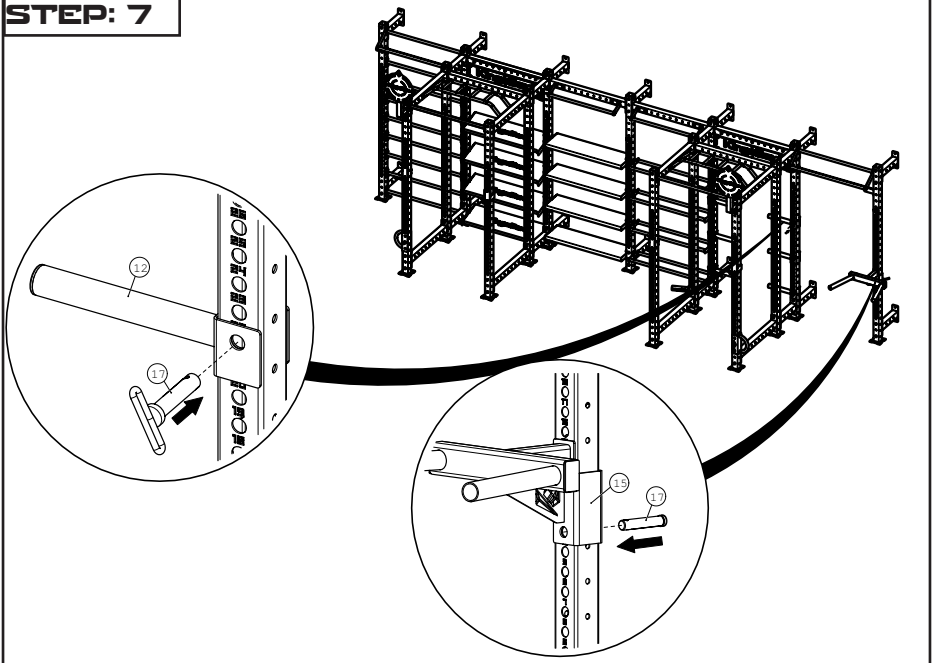


STEP: 6



Assembly instruction:

STEP: 7



STEP: 8

