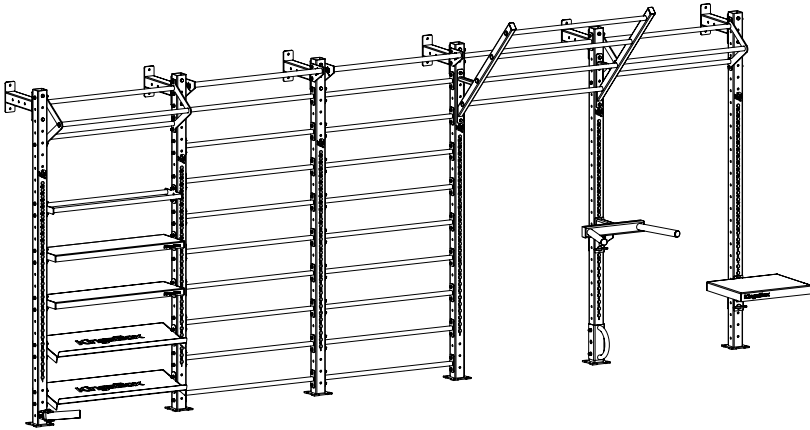


Mighty On the Wall WR-6



KingsBox[®]
BUILDING BETTER HUMANS

ATTENZIONE!

Se la struttura non viene fissata a terra e/o al muro, può rib-altarsi e/o provocare danni a persone o oggetti in immediata vicinanza.

I bulloni per il fissaggio del rig a muro e/o al pavimento non sono inclusi nel pacco, in quanto per diversi tipi di muro e pavimentazione bisogna utilizzare diversi tipi di bulloni d'ancoraggio.

OPOZORILO!

Če se struktura prevrne, lahko pride do resnih telesnih poškodb. Da bi preprečili nevarnost, da se ta struktura prevrne, mora biti pritrjena na steno in / ali v tla.

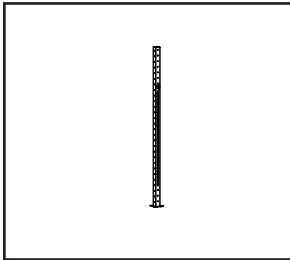
Vijaki za pritrjevanje strukture na steno oz. tla niso priloženi, saj različne sestave zidov oz. tal zahtevajo različne vrste pritrdilnih elementov. Uporabite take, ki ustrezajo sestavi vaše stene oz. tal.

WARNING!

If the structure is not secured to the ground and / or to the wall, it may overturn and / or cause damage to person or object in the immediate vicinity.

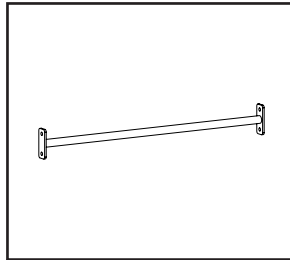
The fixing bolts for wall and / or floor are not included in the pack-age, since different types of anchor bolts must be used for different wall / floor types.

Assembly elements:



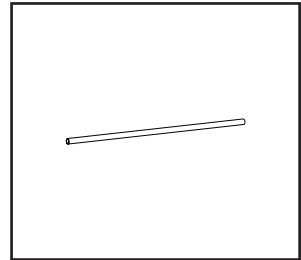
Position 1

**Upright CX Mighty
2500**



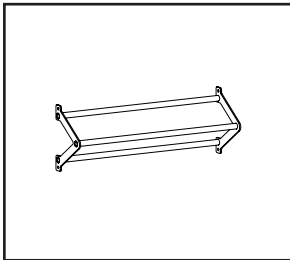
Position 2

PU Bar S 1100



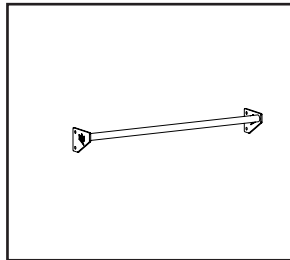
Position 3

Ladder PU Bar 1220



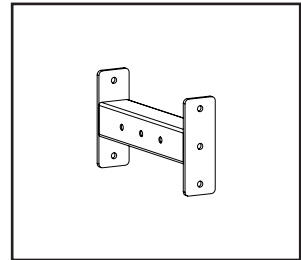
Position 4

Triangle Bar s 1100



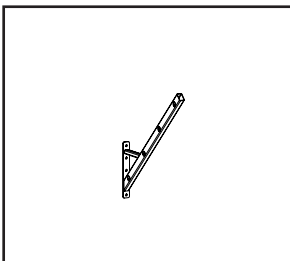
Position 5

Stall PU Bar 1100



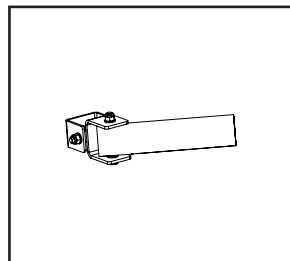
Position 6

Linked Profile 400 F



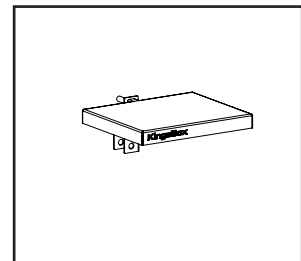
Position 7

Ladder PU Bar Arm



Position 8

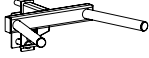
Landmine for Rig



Position 9

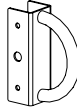
Plyo Platform F

Assembly elements:



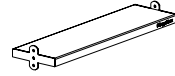
Position 10

Crown Dip Bar F II.



Position 11

Battle Rope Hook F



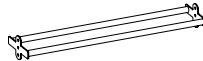
Position 12

Kettlebell Shelf 1100



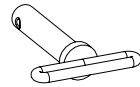
Position 13

Dumbbell Shelf 1100



Position 14

SB Shelf 1100 88 cm



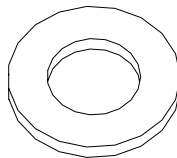
Position 15

Pin Bolt fi 25



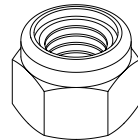
Position A

M12x110



Position B

M12 Washer



Position C

M12 Nut

Assembly elements:

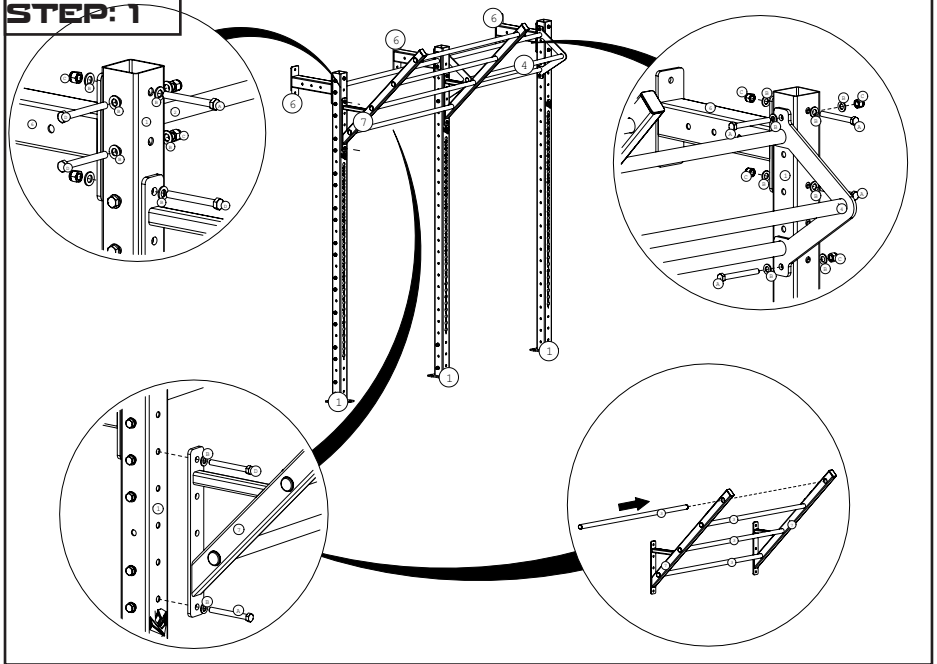


Position D

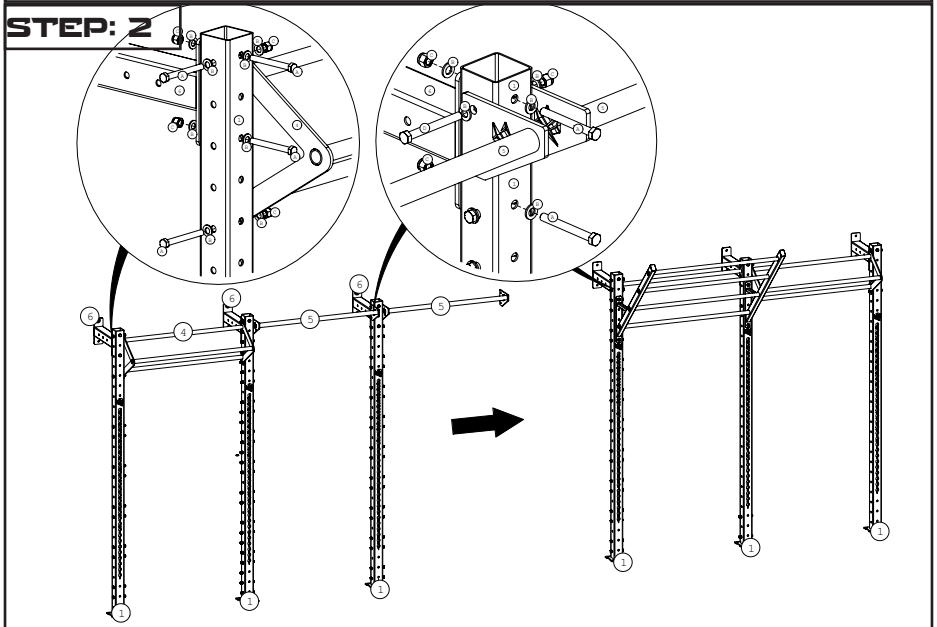
M12x120

Assembly instruction:

STEP: 1

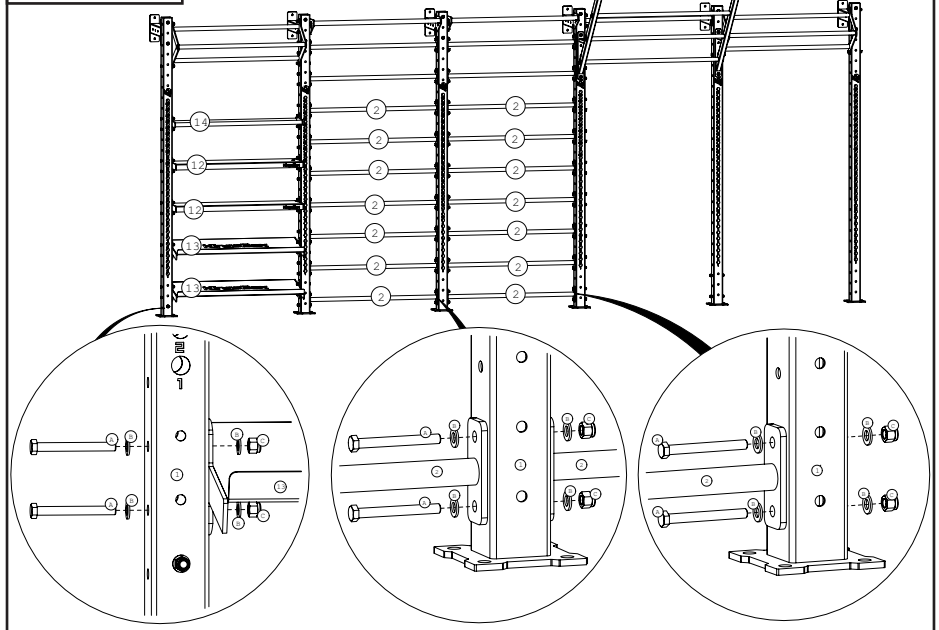


STEP: 2

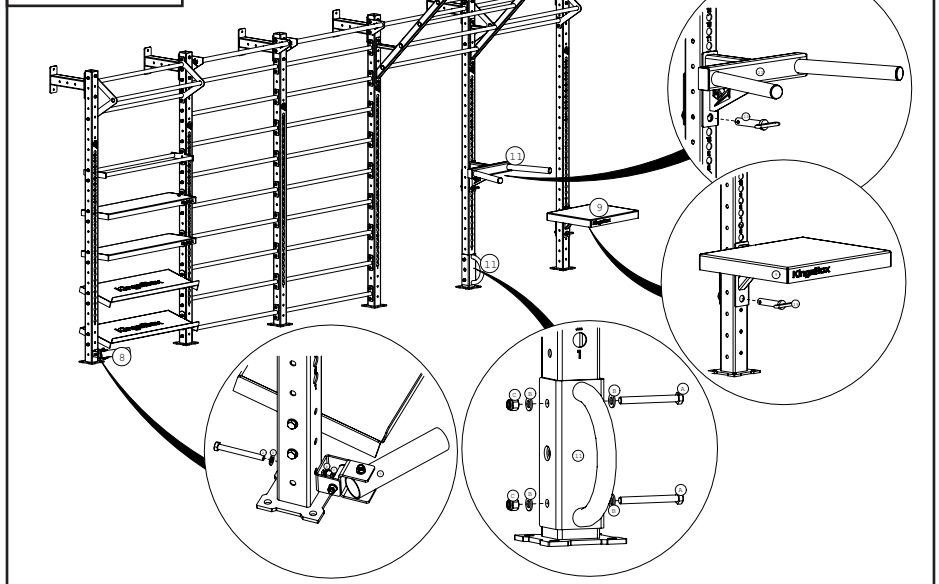


Assembly instruction:

STEP: 3

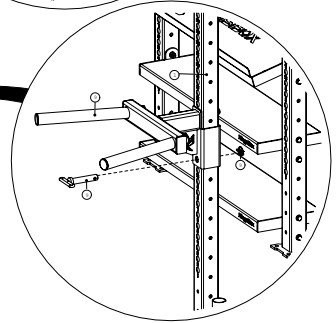
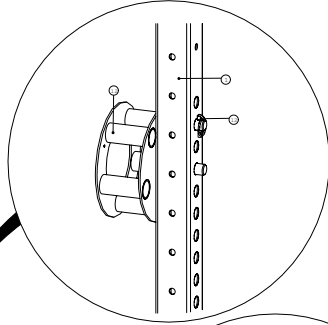
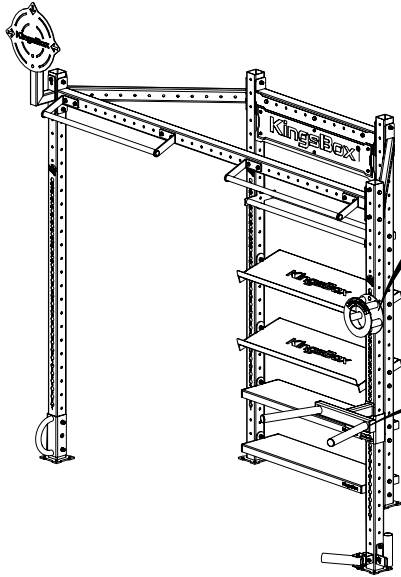


STEP: 4



Assembly instruction:

STEP: 5



STEP: 6

