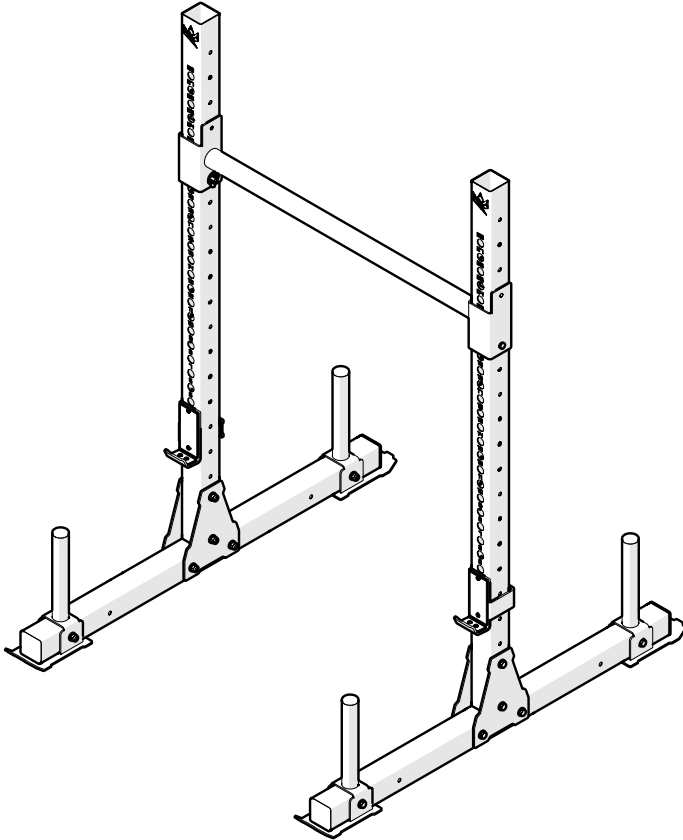
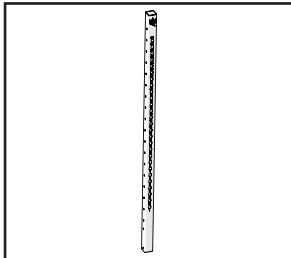


Mighty Yoke MX-40 II



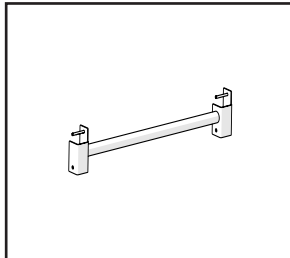
KingsBox[®]
BUILDING BETTER HUMANS

Assembly elements:



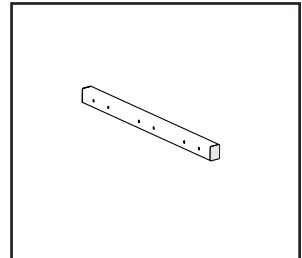
Position 1

**Upright F 1820
SX10**



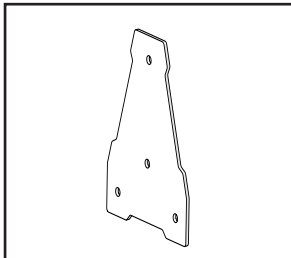
Position 2

**Mighty Yoke Carry
Bar**



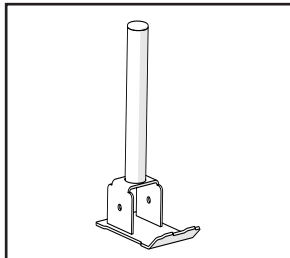
Position 3

SX Mighty Leg



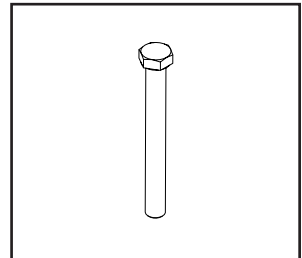
Position 4

SX Support



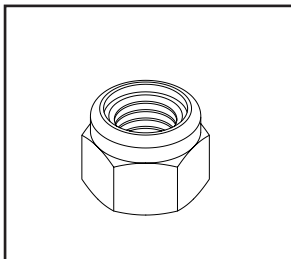
Position 5

**Mighty Yoke Slide
Bumper Storage IV.**



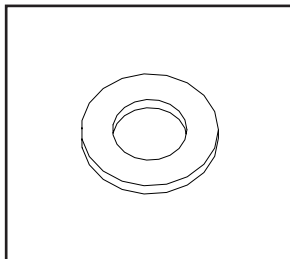
Position 6

M12x110



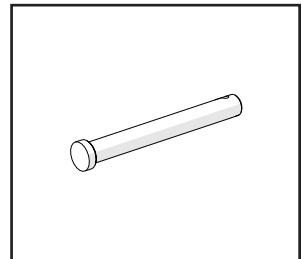
Position 7

M12 Nuts



Position 8

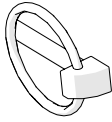
M12 Washer



Position 9

Pin 116x13

Assembly elements:

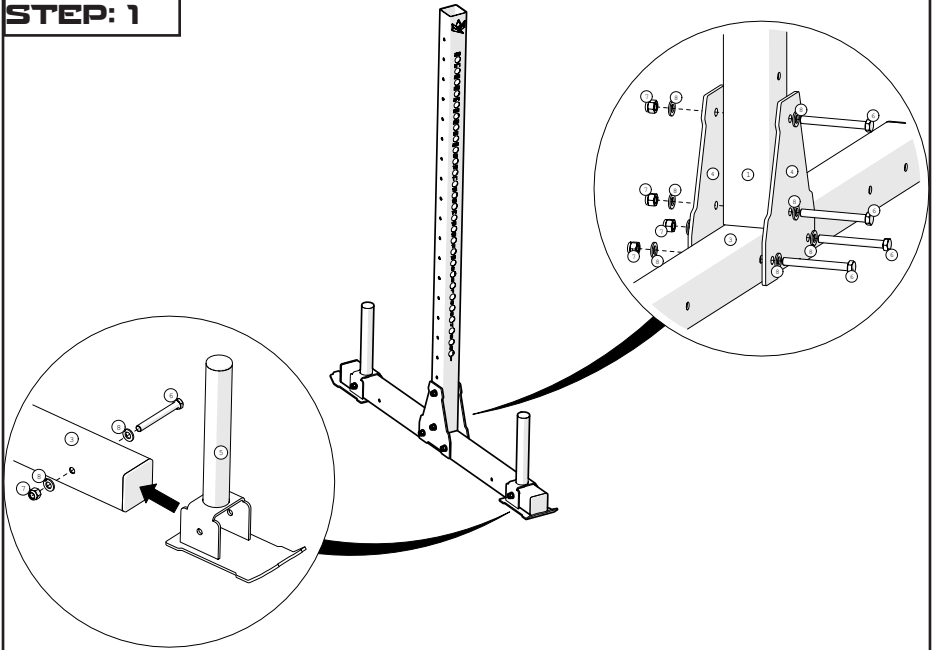


Position 10

Linch Pin

Assembly instruction:

STEP: 1



STEP: 2

