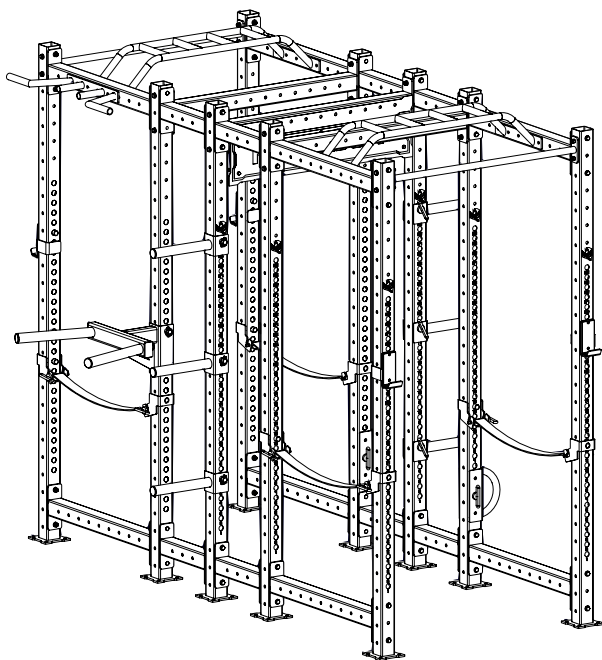


# Mighty Combo Rack CX-37



**KingsBox<sup>®</sup>**

BUILDING BETTER HUMANS

## **ATTENZIONE!**

**Se la struttura non viene fissata a terra e/o al muro, puo' rib-altarsi e/o provocare danni a persone o oggetti in immediata vicinanza.**

I bulloni per il fissaggio del rig a muro e/o al pavimento non sono inclusi nel pacco, in quanto per diversi tipi di muro 7 pavim-entazione bisogna utilizzare diversi tipi di bulloni d'ancoraggio.

---

## **OPOZORILO!**

**Če se struktura prevrne, lahko pride do resnih telesnih poškodb. Da bi preprečili nevarnost, da se ta struktura prevrne, mora biti pritrjena na steno in / ali v tla.**

Vijaki za pritrjevanje strukture na steno oz. tla niso priloženi, saj različne sestave zidov oz. tal zahtevajo različne vrste pritrdilnih elementov. Uporabite take, ki ustrezajo sestavi vaše stene oz. tal.

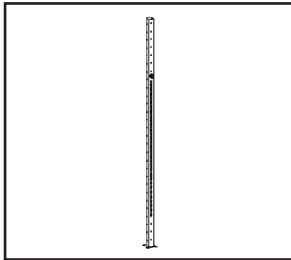
---

## **WARNING!**

**If the structure is not secured to the ground and / or to the wall, it may overturn and / or cause damage to person or object in the immediate vicinity.**

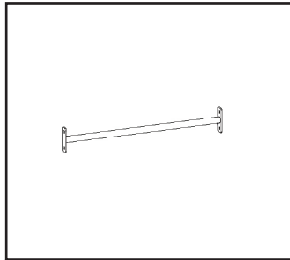
The fixing bolts for wall and / or floor are not included in the pack-  
age, since different types of anchor bolts must be used for dif-  
fer-ent wall / floor types.

# Assembly elements:



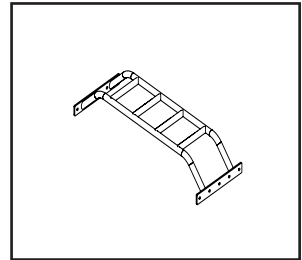
**Position: 1**

**Upright CX Mighty  
2500**



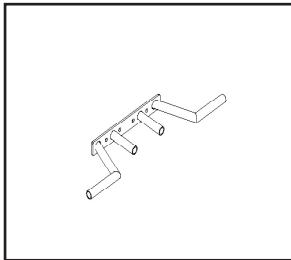
**Position: 2**

**PU Bar S 1100**



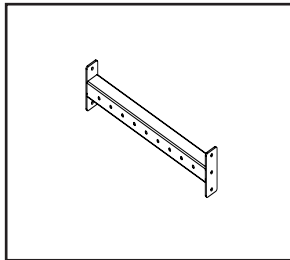
**Position: 3**

**Multi Grip Bar 1100**



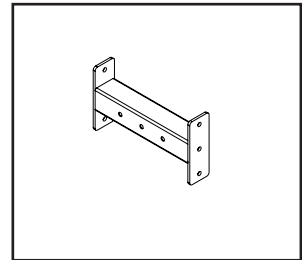
**Position: 4**

**Angled Grip Bar**



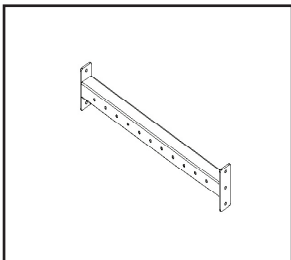
**Position: 5**

**Linked Profile 900 F**



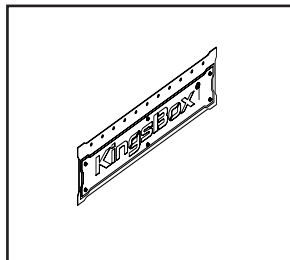
**Position: 6**

**Linked Profile 400 F**



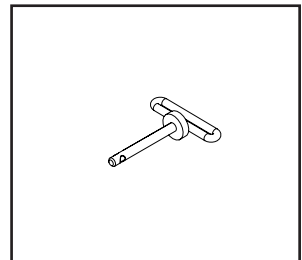
**Position: 7**

**Monkey Profile 1100  
F**



**Position: 8**

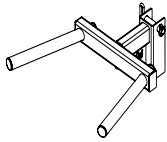
**KB Magnifesto Sign  
III.**



**Position: 9**

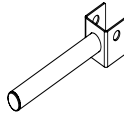
**Pin fi 12**

# Assembly elements:



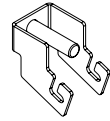
**Position: 10**

**Crown Dip Bar F**



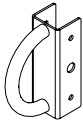
**Position: 11**

**Mighty Mortar  
Bumper Rack**



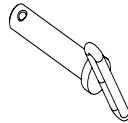
**Position: 12**

**Safety Strap Stand**



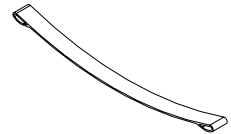
**Position: 13**

**Batle Rope Hook**



**Position: 14**

**Pin Bolt fi 25**



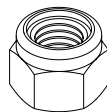
**Position: 15**

**Safety Belt**



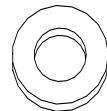
**Position: A**

**M12x110**



**Position: B**

**M12 Nuts**



**Position: C**

**M12 Washer**

# Assembly elements:

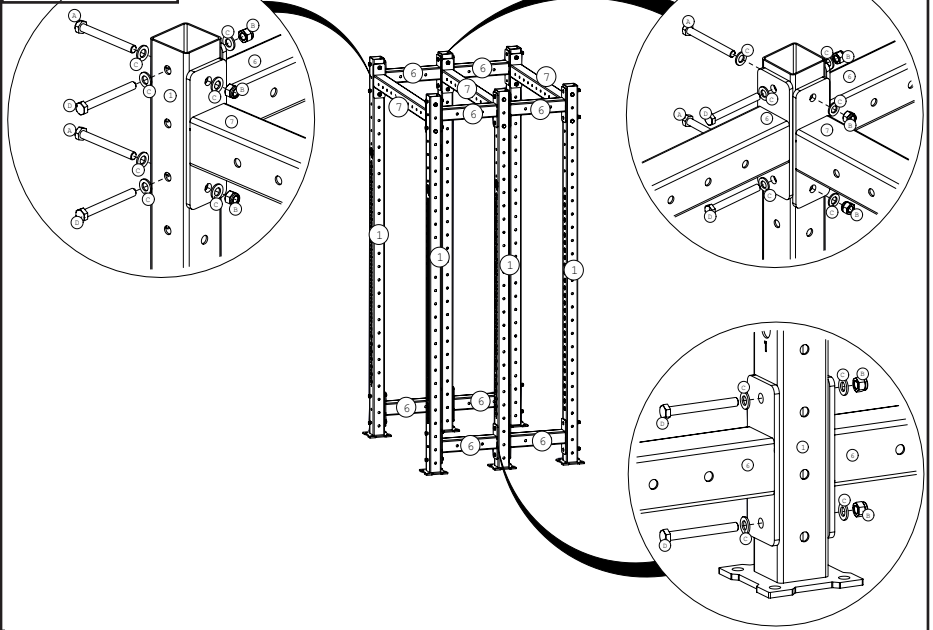


**Position: D**

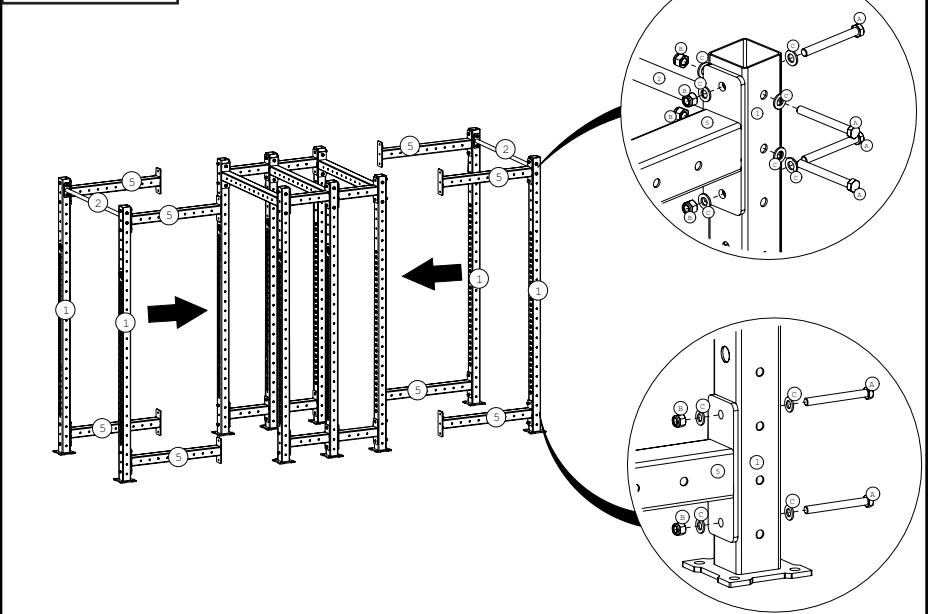
**M12x120**

# Assembly instruction:

## STEP: 1

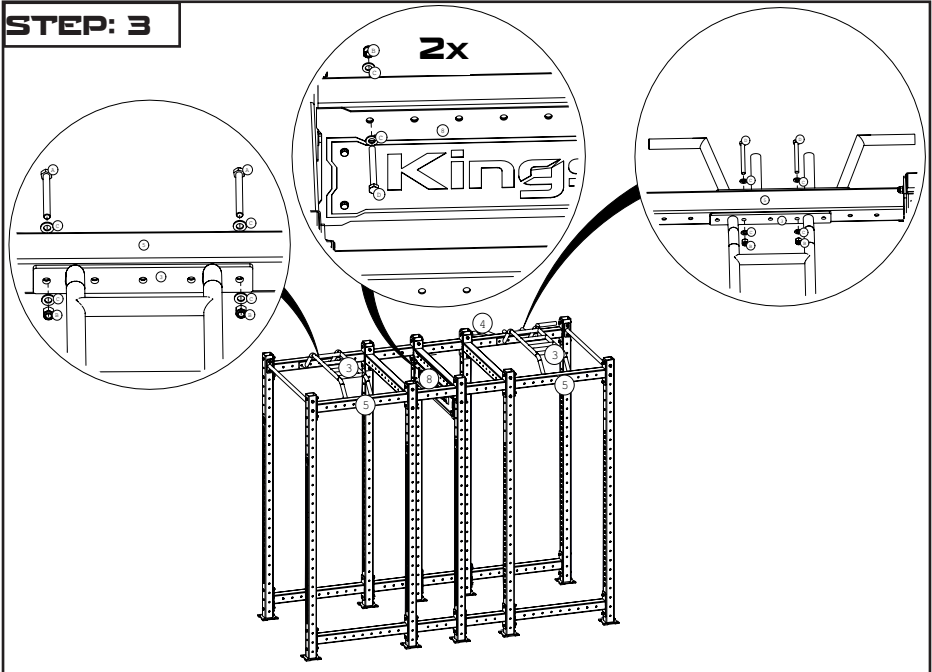


## STEP: 2



# Assembly instruction:

## STEP: 3



## STEP: 4

