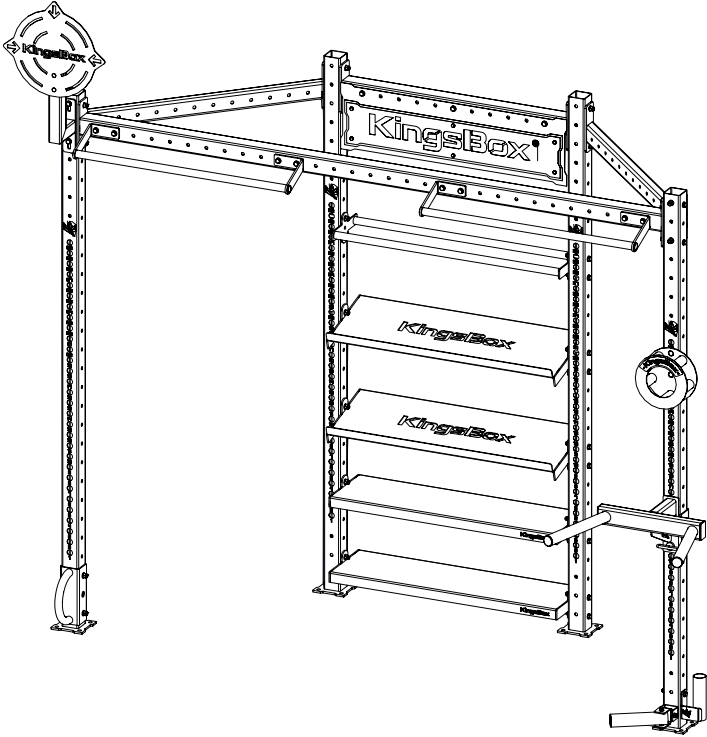


Mighty Strenght Corner



KingsBox[®]
BUILDING BETTER HUMANS

ATTENZIONE!

Se la struttura non viene fissata a terra e/o al muro, può rib-altarsi e/o provocare danni a persone o oggetti in immediata vicinanza.

I bulloni per il fissaggio del rig a muro e/o al pavimento non sono inclusi nel pacco, in quanto per diversi tipi di muro e pavimentazione bisogna utilizzare diversi tipi di bulloni d'ancoraggio.

OPOZORILO!

Če se struktura prevrne, lahko pride do resnih telesnih poškodb. Da bi preprečili nevarnost, da se ta struktura prevrne, mora biti pritrjena na steno in / ali v tla.

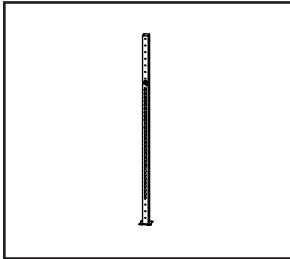
Vijaki za pritrjevanje strukture na steno oz. tla niso priloženi, saj različne sestave zidov oz. tal zahtevajo različne vrste pritrdilnih elementov. Uporabite take, ki ustrezajo sestavi vaše stene oz. tal.

WARNING!

If the structure is not secured to the ground and / or to the wall, it may overturn and / or cause damage to person or object in the immediate vicinity.

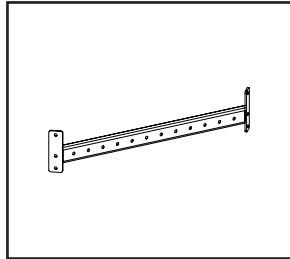
The fixing bolts for wall and / or floor are not included in the pack-age, since different types of anchor bolts must be used for different wall / floor types.

Assembly elements:



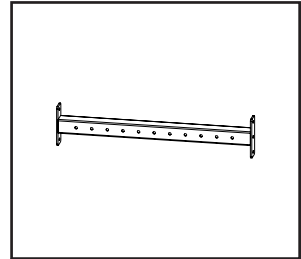
Position 1

**Upright CX Mighty
2500**



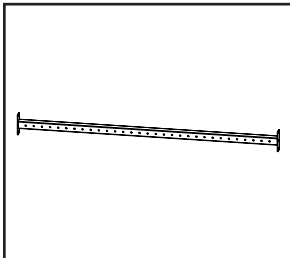
Position 2

Profil Octagon 45 F



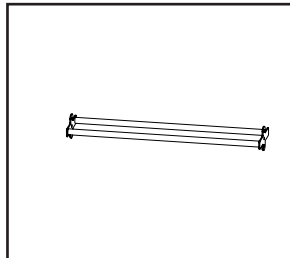
Position 3

**Monkey Profile 1100
F**



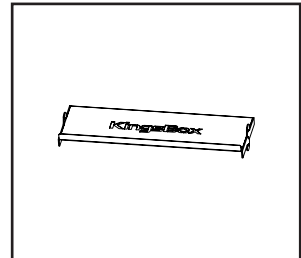
Position 4

**Monkey Profile
2822 F**



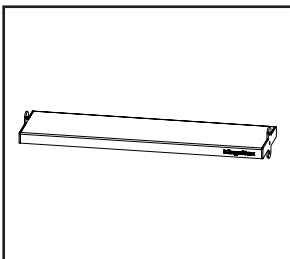
Position 5

SB Shelf 1100 88mm



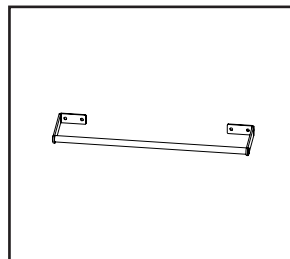
Position 6

Dumbbell Shelf 1100



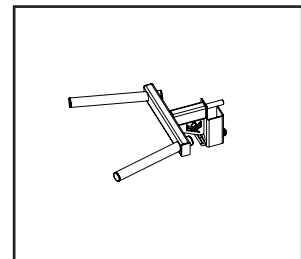
Position 7

Kettlebell Shelf 1100



Position 8

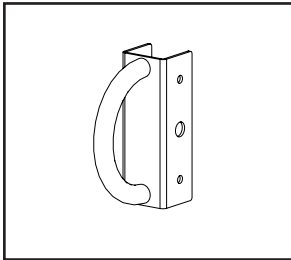
**Monkey Mount S PU
Bar**



Position 9

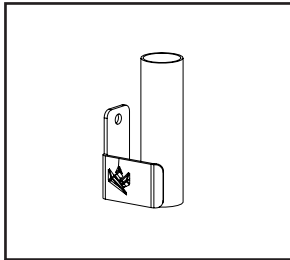
**Mighty Dip Bar
(Front Fit)**

Assembly elements:



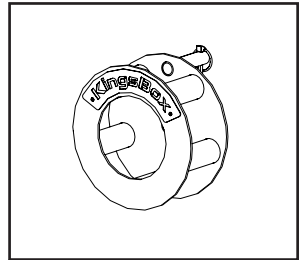
Position 10

Battle Rope Hook F



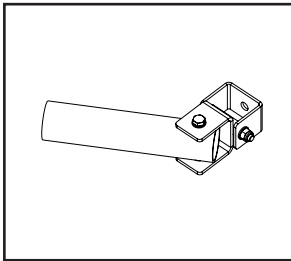
Position 11

One Bar Rack



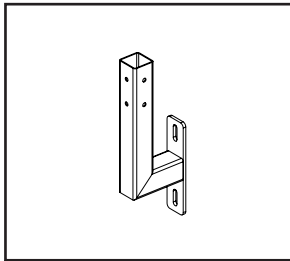
Position 12

Mighty Rope Hacker



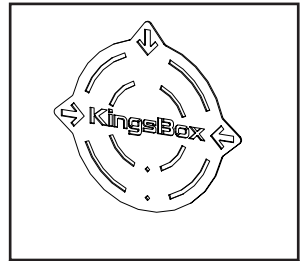
Position 13

Mighty Rig Landmine



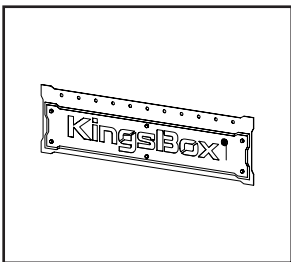
Position 14

WB II. Holder S



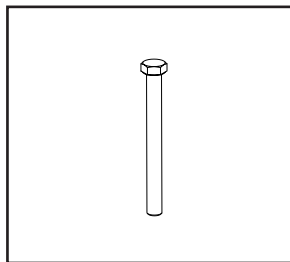
Position 15

WB Target III.



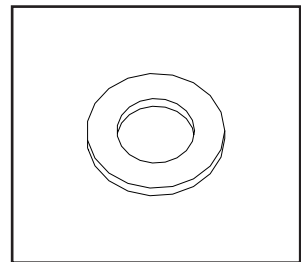
Position 16

KB Manifesto



Position A

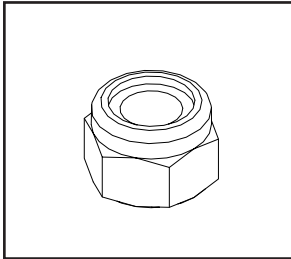
M12x120



Position B

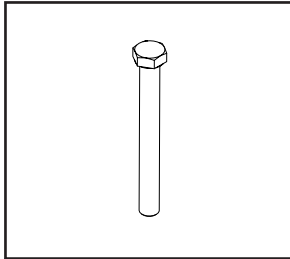
M12 Washer

Assembly elements:



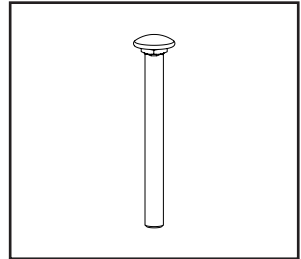
Position C

M12 Nut



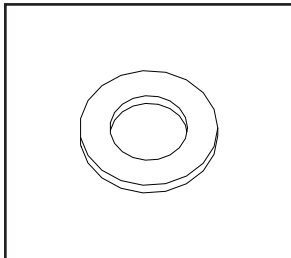
Position D

M12x110



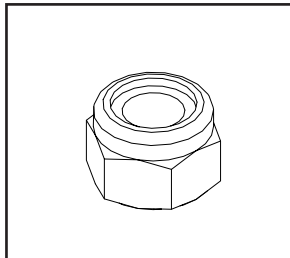
Position E

M8x80 Torban



Position F

M8 Washer

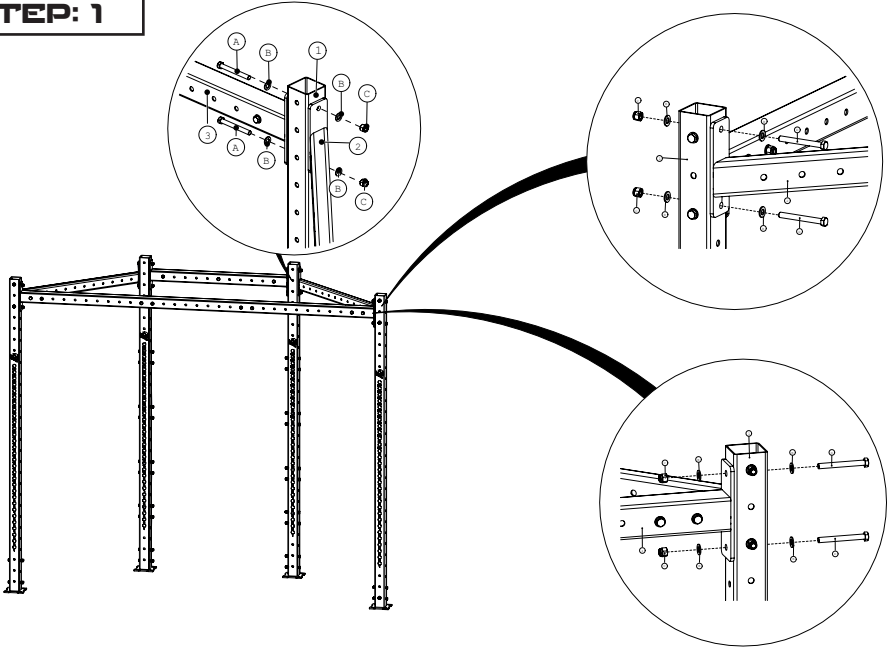


Position G

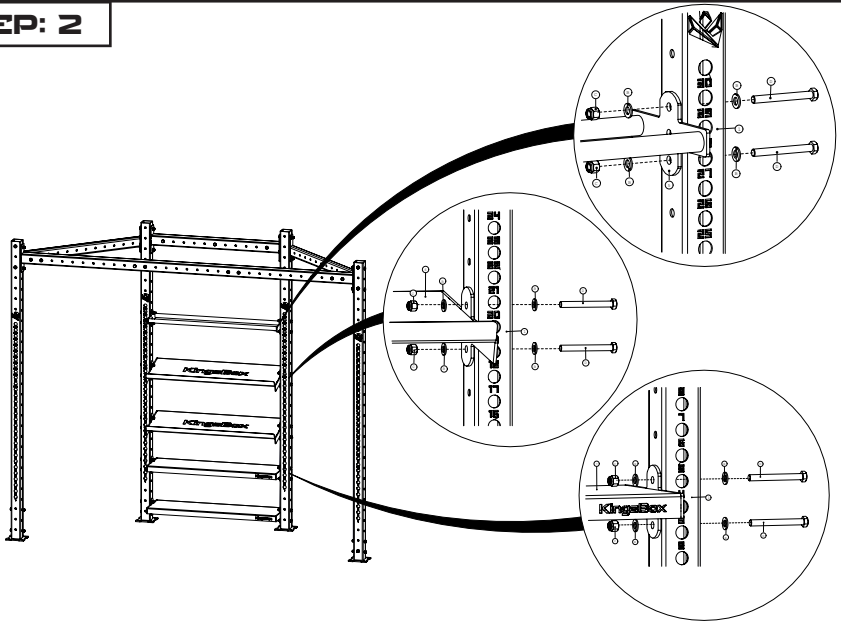
M18 Nut

Assembly instruction:

STEP: 1

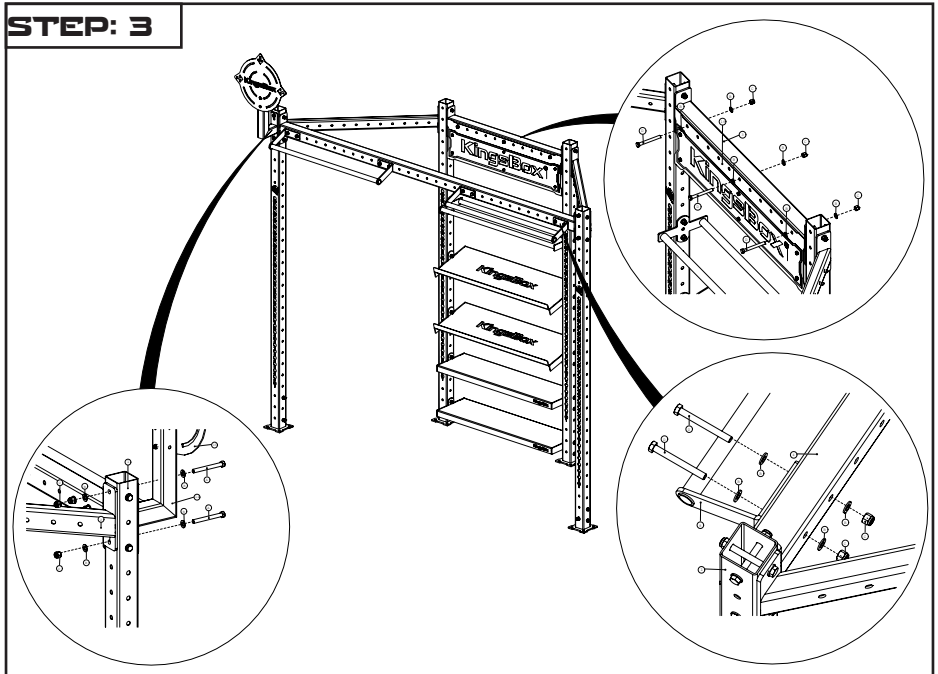


STEP: 2

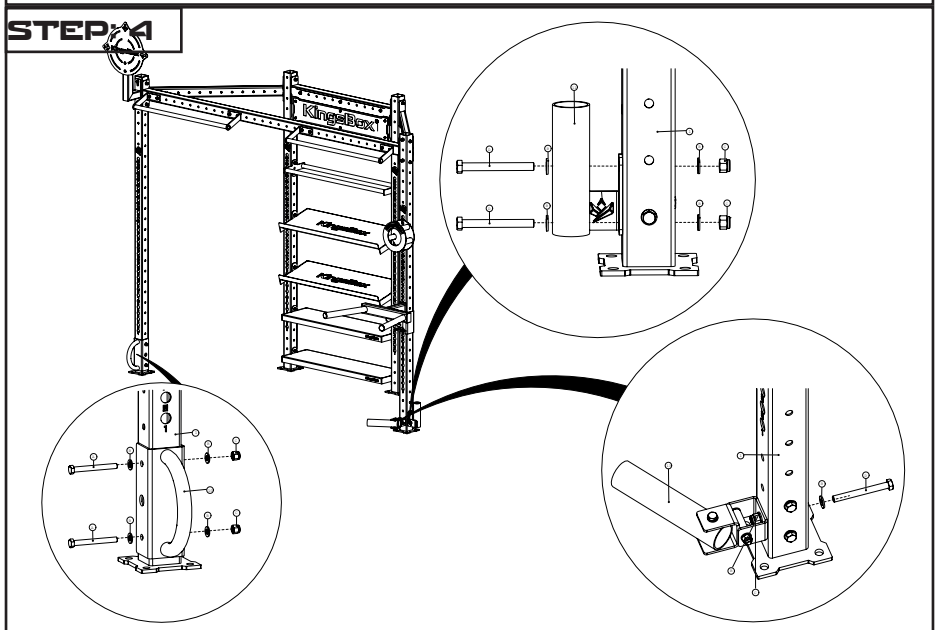


Assembly instruction:

STEP: 3

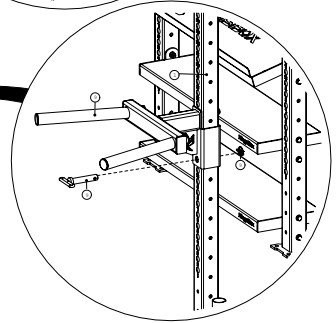
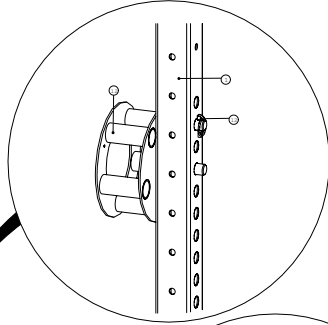
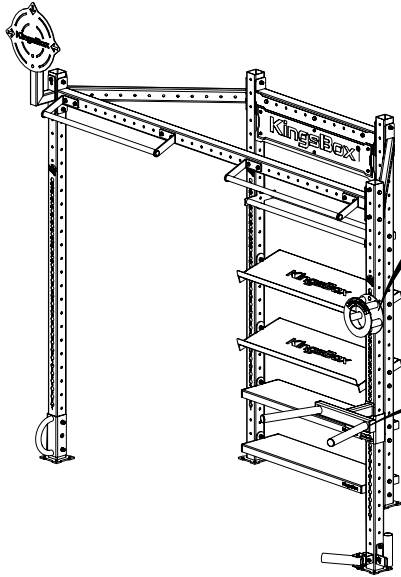


STEP: 4



Assembly instruction:

STEP: 5



STEP: 6

