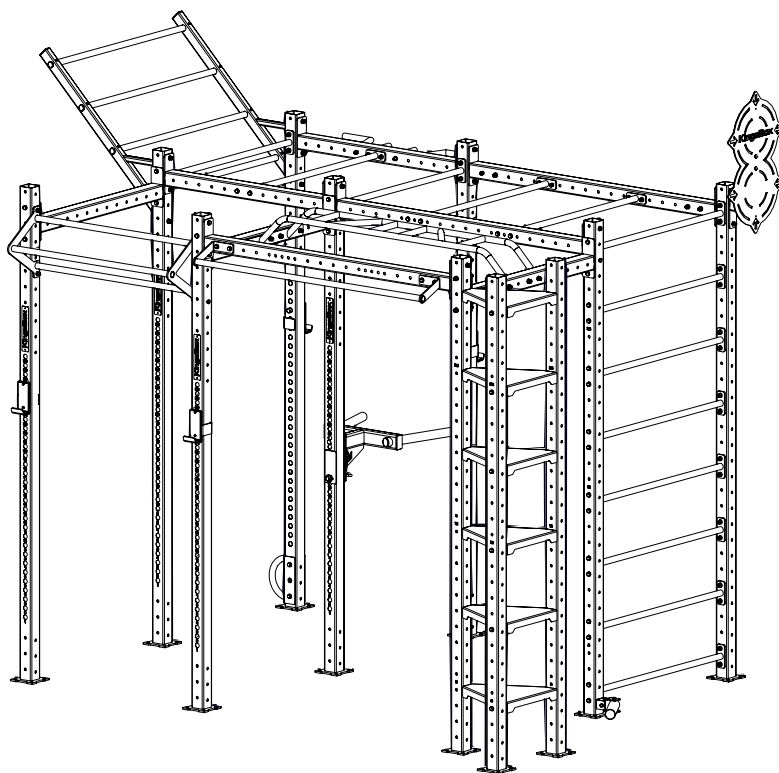


Mighty Functional Station



KingsBox

ATTENZIONE!

Se la struttura non viene fissata a terra e/o al muro, puo' rib-altarsi e/o provocare danni a persone o oggetti in immediata vicinanza.

I bulloni per il fissaggio del rig a muro e/o al pavimento non sono inclusi nel pacco, in quanto per diversi tipi di muro 7 pavim-entazione bisogna utilizzare diversi tipi di bulloni d'ancoraggio.

OPOZORILO!

Če se struktura prevrne, lahko pride do resnih telesnih poškodb. Da bi preprečili nevarnost, da se ta struktura prevrne, mora biti pritrjena na steno in / ali v tla.


Vijaki za pritrjevanje strukture na steno oz. tla niso priloženi, saj različne sestave zidov oz. tal zahtevajo različne vrste pritrdilnih elementov. Uporabite take, ki ustrezajo sestavi vaše stene oz. tal.


WARNING!


If the structure is not secured to the ground and / or to the wall, it may overturn and / or cause damage to person or object in the immediate vicinity.

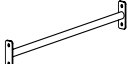
The fixing bolts for wall and / or floor are not included in the pack-
age, since different types of anchor bolts must be used for dif-
fer-ent wall / floor types.

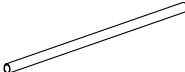
Assembly elements:

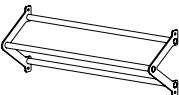
SAMPLE	
	
position	QTY.
part name	


	
position: 1	5x
Upright F 2750 Stall	

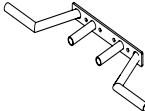
	
position: 2	6x
Upright F 2750 KB	

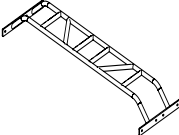
	
position: 3	13x
PU Bar s 1100	

	
position: 4	4x
Ladder PU Bar 1220	

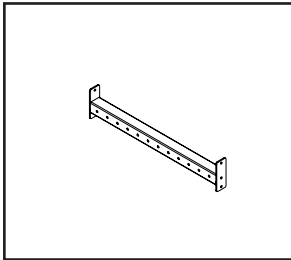
	
position: 5	1x
Triangle Bar S 1100	

	
position: 6	2x
Monkey Mount S PU Bar 1566	

	
position: 7	1x
Angled Grip Bar	

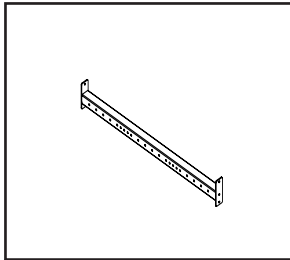
	
position: 8	1x
Multi Grip PU Bar 1700	

Assembly elements:



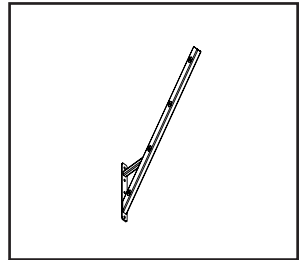
position: 9 | **5x**

**Universal Profile F
1100**



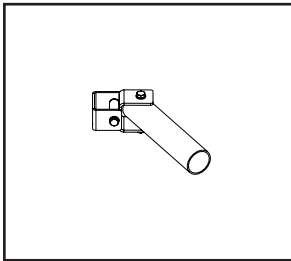
position: 10 | **3x**

**Universal Profile F
1700**



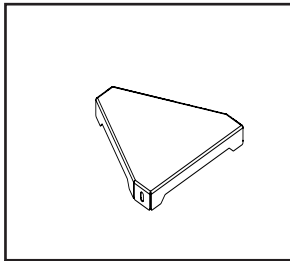
position: 11 | **2x**

Ladder PU Bar Arm



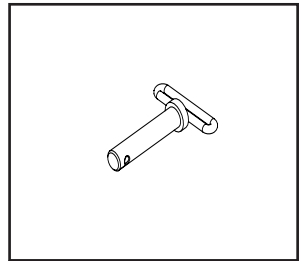
position: 12 | **1x**

Landmine for Rig



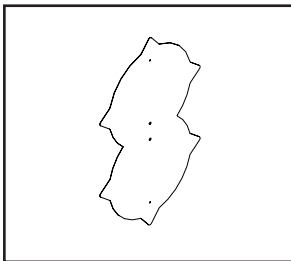
position: 13 | **6x**

**Kettleble Shelf for
Mighty Rig**



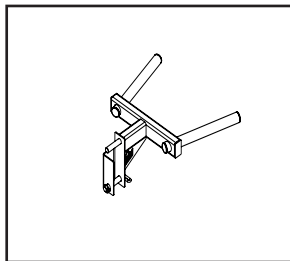
position: 14 | **1x**

Pin bolt fi 25



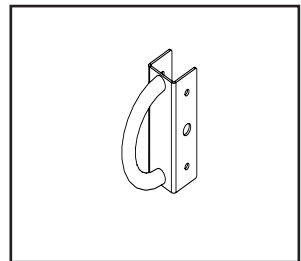
position: 15 | **1x**

**Color Back Plate
Double Target**



position: 16 | **1x**

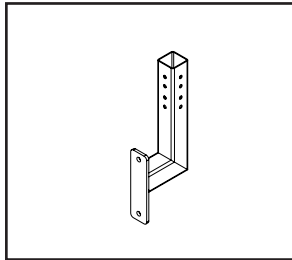
Crown Dip Bar F



position: 17 | **1x**

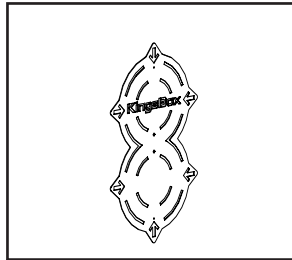
Battle Rope Hook F

Assembly elements:



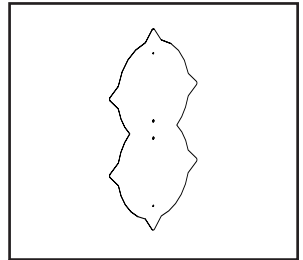
position: 18	1x
---------------------	-----------

WB III. Holder S	
-------------------------	--



position: 19	1x
---------------------	-----------

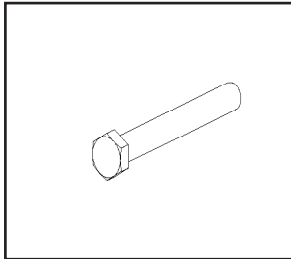
WB Double Target	
-------------------------	--



position: 20	1x
---------------------	-----------

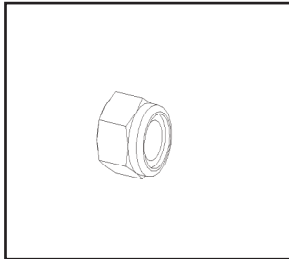
WB Color Back Plate- Double Target	
---	--

Assembly elements:



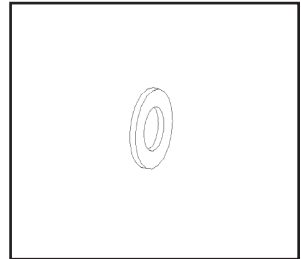
position: A | **90x**

M12x110



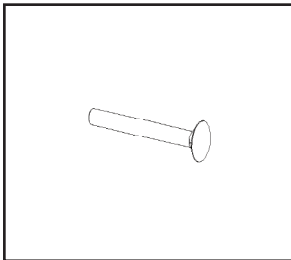
position: B | **110x**

M12 Nuts



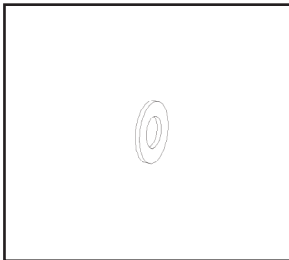
position: C | **220x**

M12 Washer



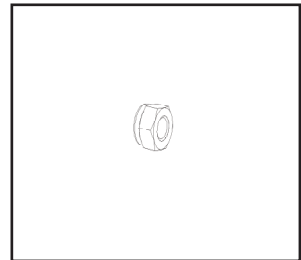
position: D | **4x**

M8x80 Torban



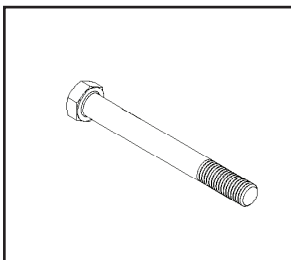
position: E | **4x**

M8 Washer



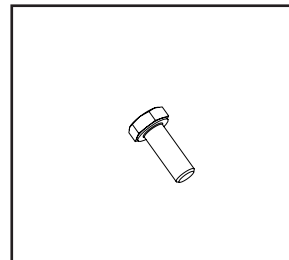
position: F | **4x**

M8 Nuts



position: G | **20x**

M12x120

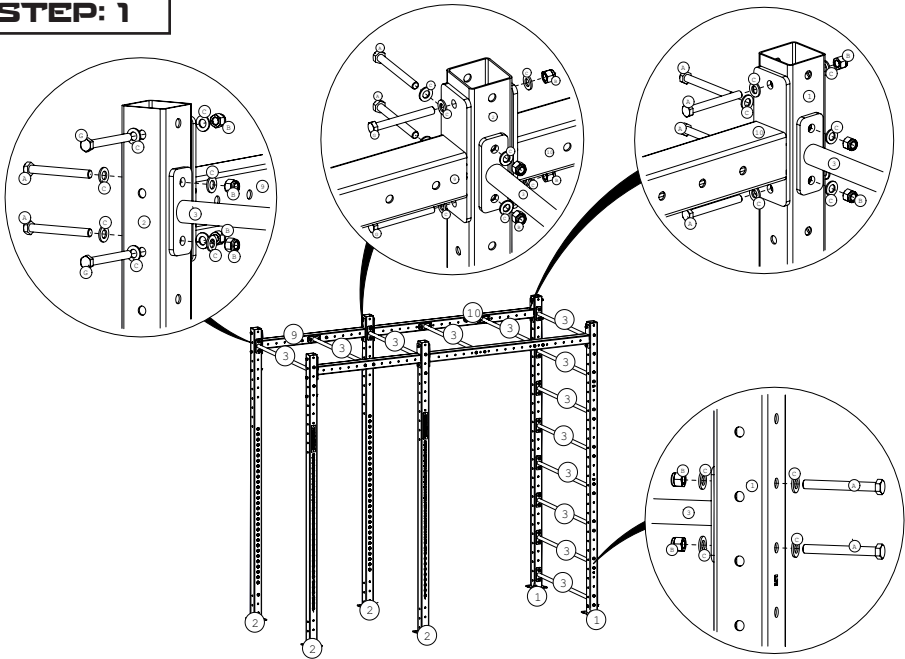


position: H | **8x**

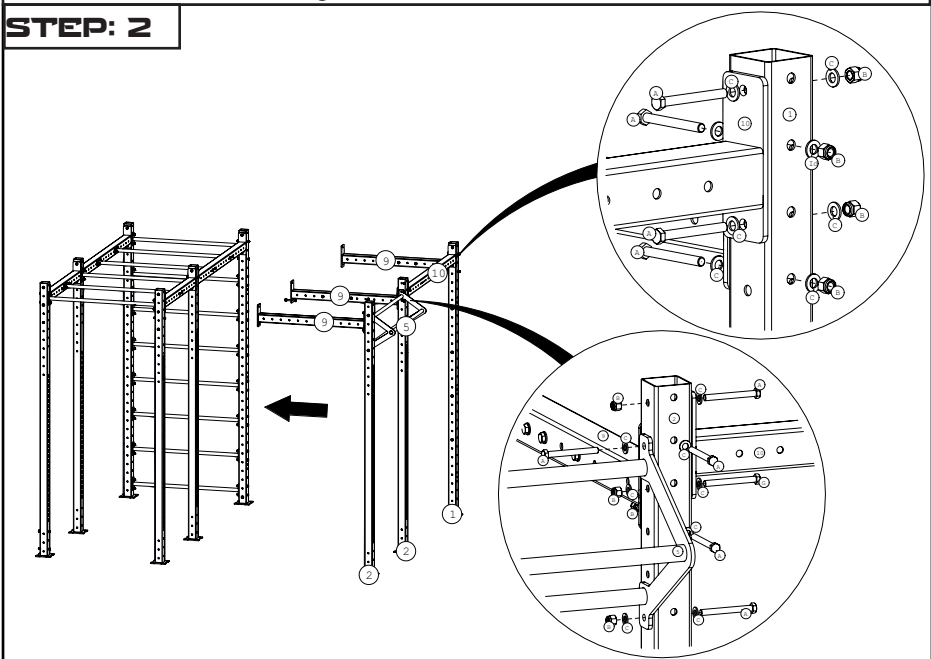
M6x16

Assembly instruction:

STEP: 1

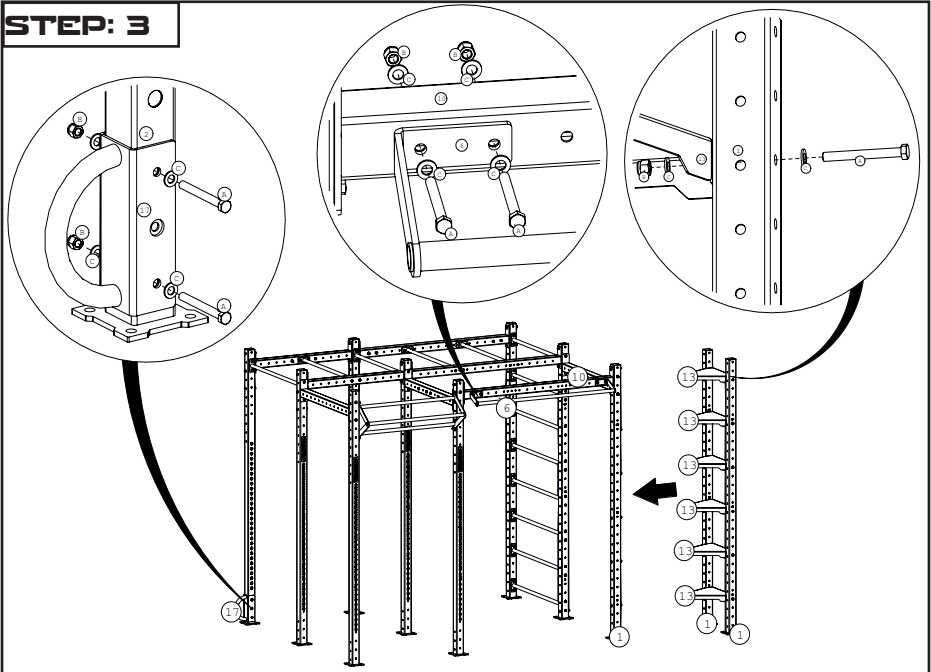


STEP: 2

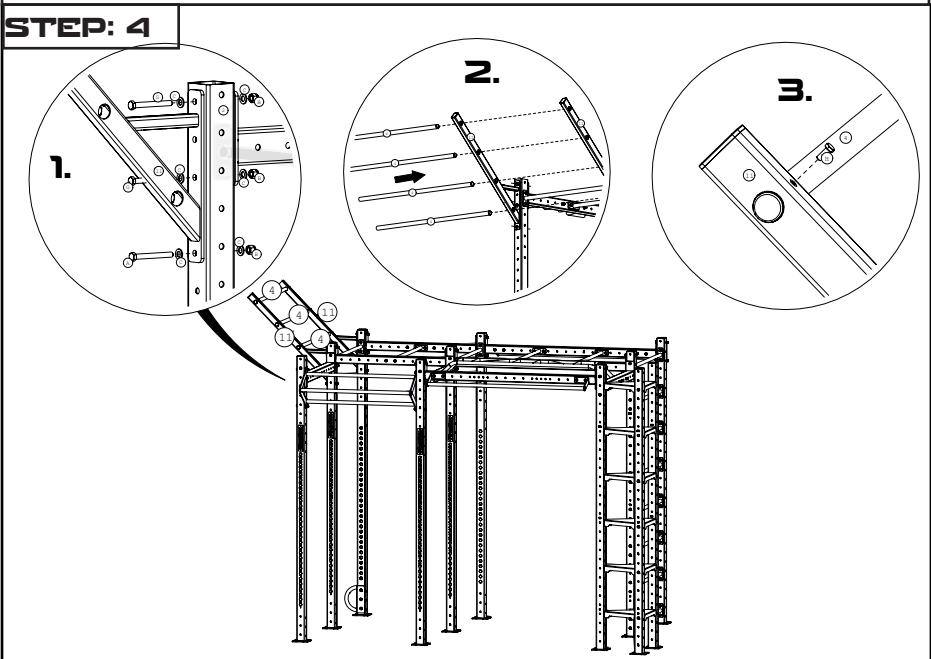


Assembly instruction:

STEP: 3

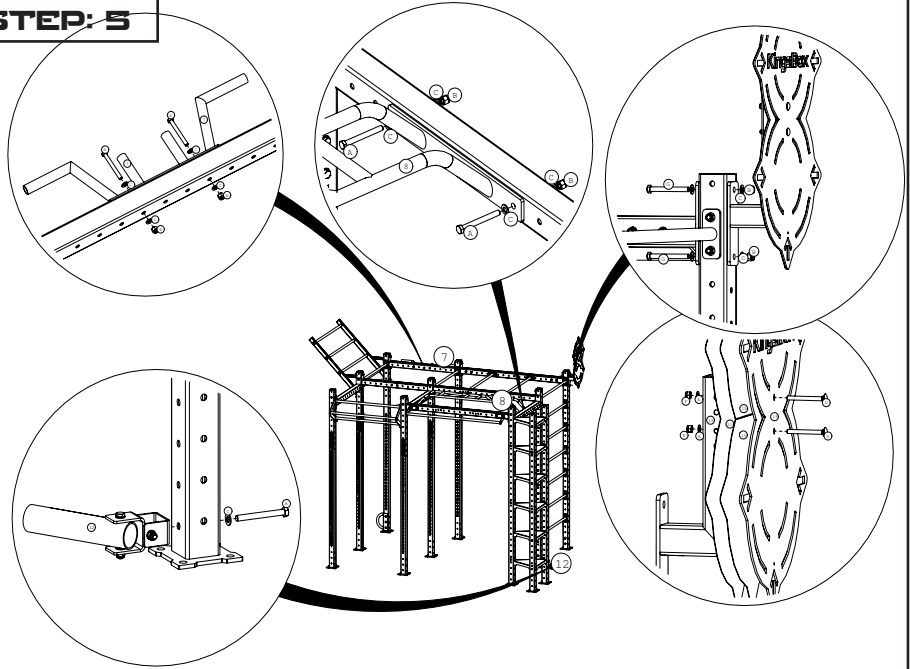


STEP: 4



Assembly instruction:

STEP: 5



STEP: 6

