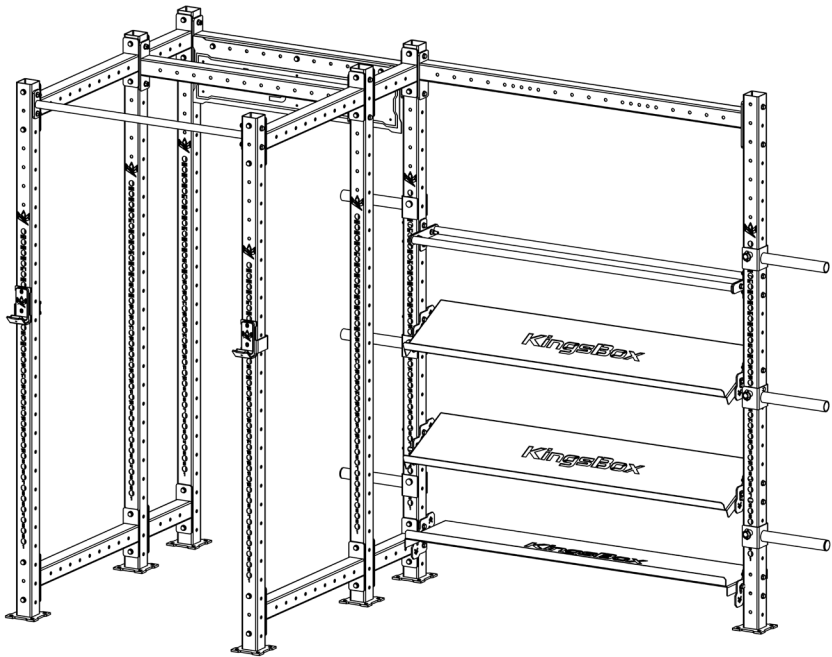


Single Mighty Power Rack CX-37 With Storage Extension



KingsBox®
BUILDING BETTER HUMANS

Manufacturer:
Kingsbox d.o.o.
Bazoviška 7a, 6210 Sežana
Slovenia

KingsBox®
BUILDING BETTER HUMANS

Customer service:

Write us on info@kingsbox.com or send us a message through our website at www.kingsbox.com/help

Usage class:

Studio (S)

Designed in compliance with:

ISO 20957

Warnings:

- Freestanding equipment shall be installed on a stable and levelled base
- All equipment designed with anchoring/attachement holes (e.g. rigs, racks, equipment and accessories for racks, storage pins/shelves, etc.) should be securely screwed to the fixed ground/wall/structure through all the designated fixing holes and with appropriate sized screws.
- Injuries to health may result from incorrect or excessive training
- Keep unsupervised children away from the equipment

OPOZORILO!

Če se struktura prevrne, lahko pride do resnih telesnih poškodb. Da bi preprečili nevarnost, da se ta struktura prevrne, mora biti pritrjena na steno in / ali v tla.

Vijaki za pritrjevanje strukture na steno oz. tla niso priloženi, saj r različne sestave zidov oz. tal zahtevajo različne vrste pritrdilnih elementov. Uporabite take, ki ustrezajo sestavi vaše stene oz. tal.

WARNING!

If the structure is not secured to the ground and / or to the wall, it may overturn and / or cause damage to person or object in the immediate vicinity.

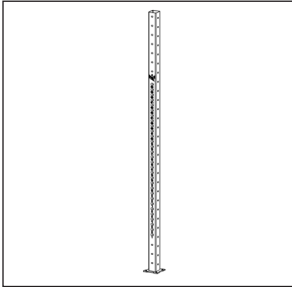
The fixing bolts for wall and / or floor are not included in the package, since different types of anchor bolts must be used for different wall / floor types.

ATTENZIONE!

Se la struttura non viene fissata a terra e/o al muro, può ribaltarsi e/o provocare danni a persone o oggetti in immediata vicinanza.

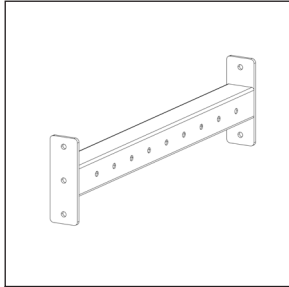
I bulloni per il fissaggio del rig a muro e/o al pavimento non sono inclusi nel pacco, in quanto per diversi tipi di muro / pavimentazione bisogna utilizzare diversi tipi di bulloni d'ancoraggio.

Assembly elements:



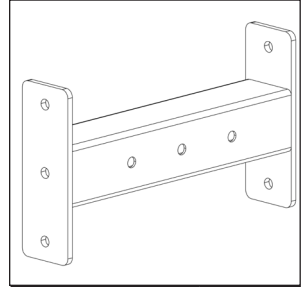
Position 1 | **7x**

Upright CX Mighty 2500



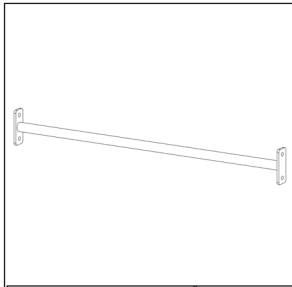
Position 2 | **4x**

Linked Profile 900 F



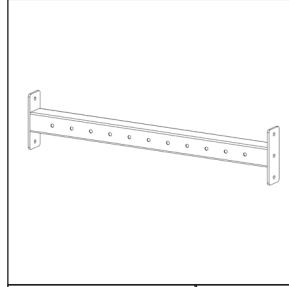
Position 3 | **4x**

Linked Profile 400 F



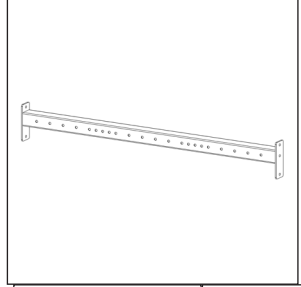
Position 4 | **1x**

PU bar S 1100



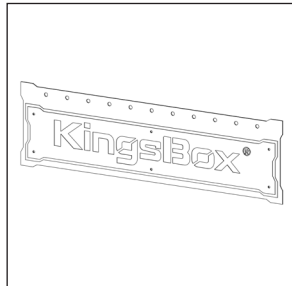
Position 5 | **2x**

Monkey Profile 1100 F



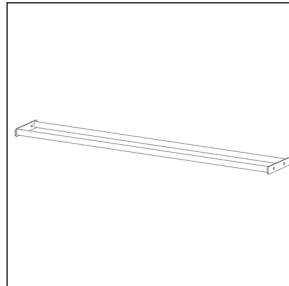
Position 6 | **1x**

Universal Profile F 1700



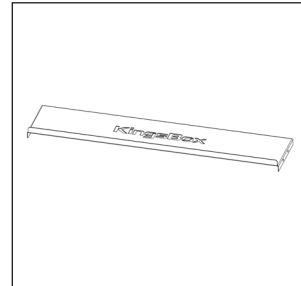
Position 7 | **1x**

KingsBox Manifesto Sign III



Position 8 | **1x**

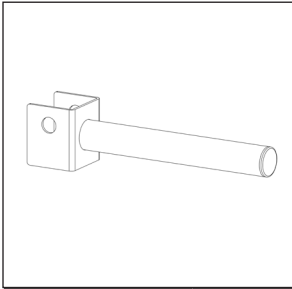
SB Shelf III. 1700



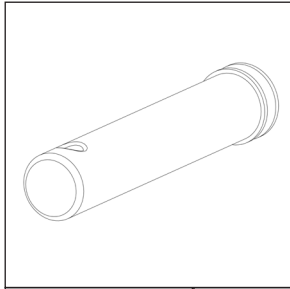
Position 9 | **3x**

Dumbbell Shelf III. 1700

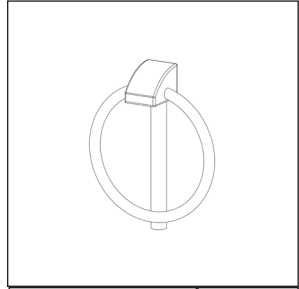
Assembly elements:



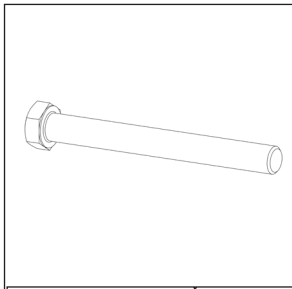
Position 10	6×
Bumper Rack for Rig F	



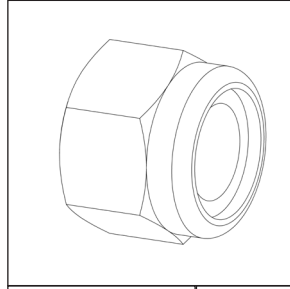
Position 11	6×
Black Pin Bolt fi25	



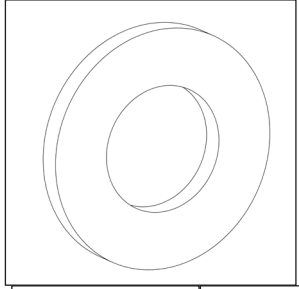
Position 12	6×
Lynch pin yellow chrome 8mm	



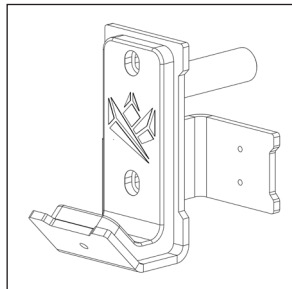
Position 13	73×
Bolt M12	



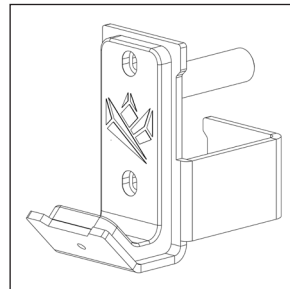
Position 14	73×
Nut M12	



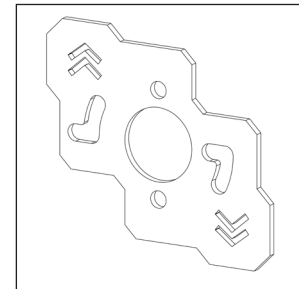
Position 15	146×
Washer M12	



Position 16	1×
J-Cup F L Rubber	

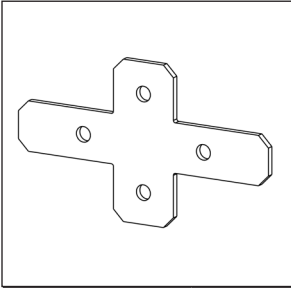


Position 17	1×
J-Cup F D Rubber	



Position 18	6×
Adj. Spacer for Dumbbell Shelf	

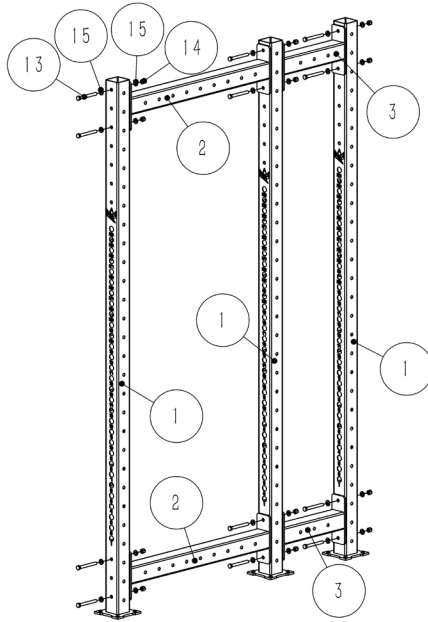
Assembly elements:



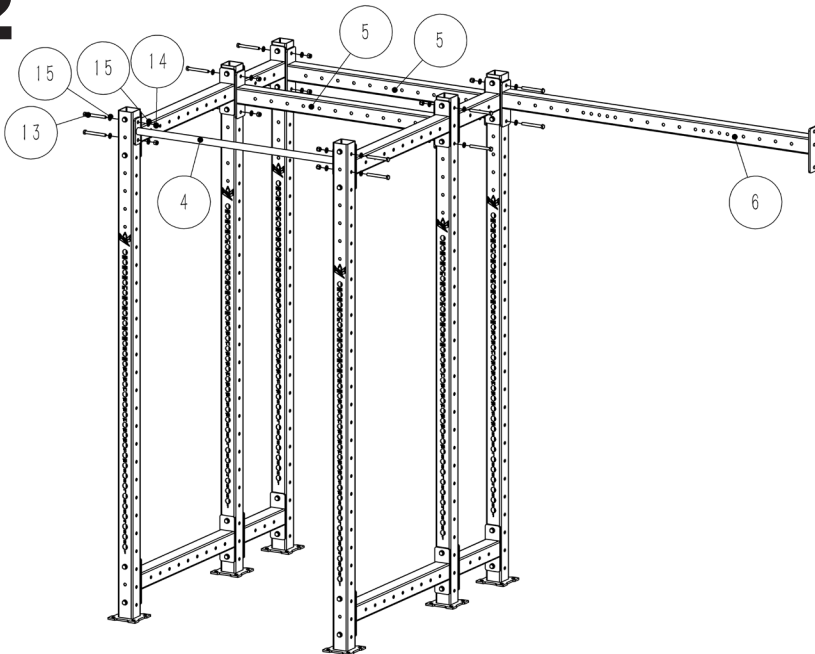
Position 19	2×
Spacer for SB and Kettlebell Shelf	

Assembly instruction:

1

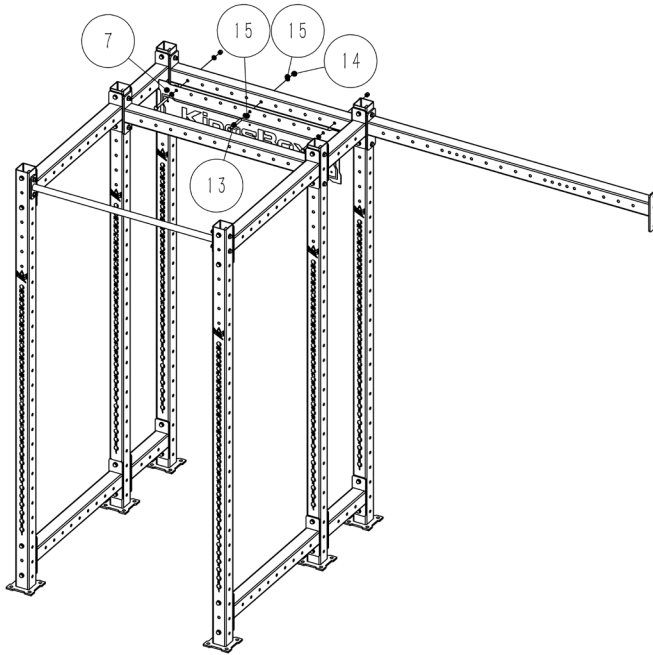


2

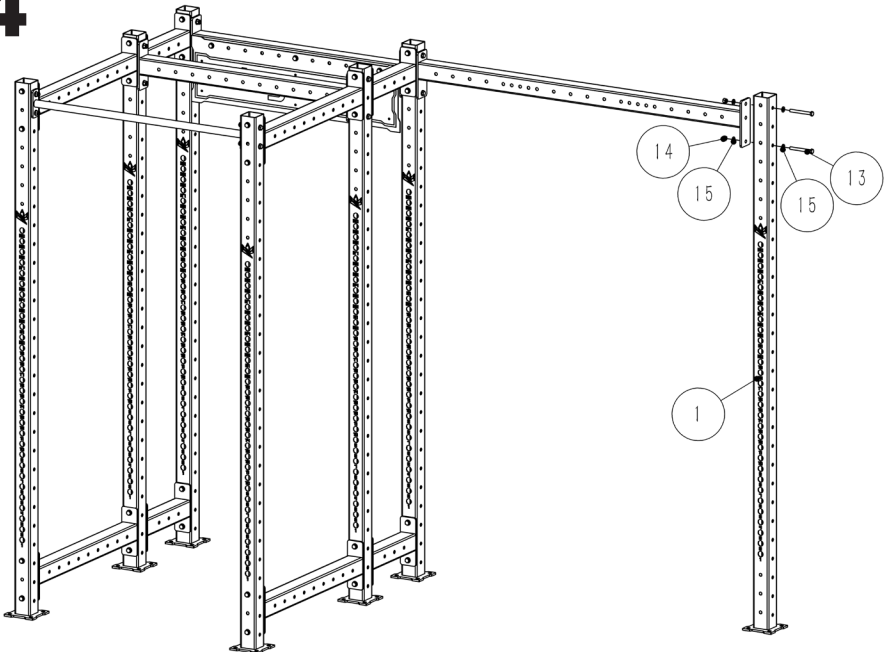


Assembly instruction:

3

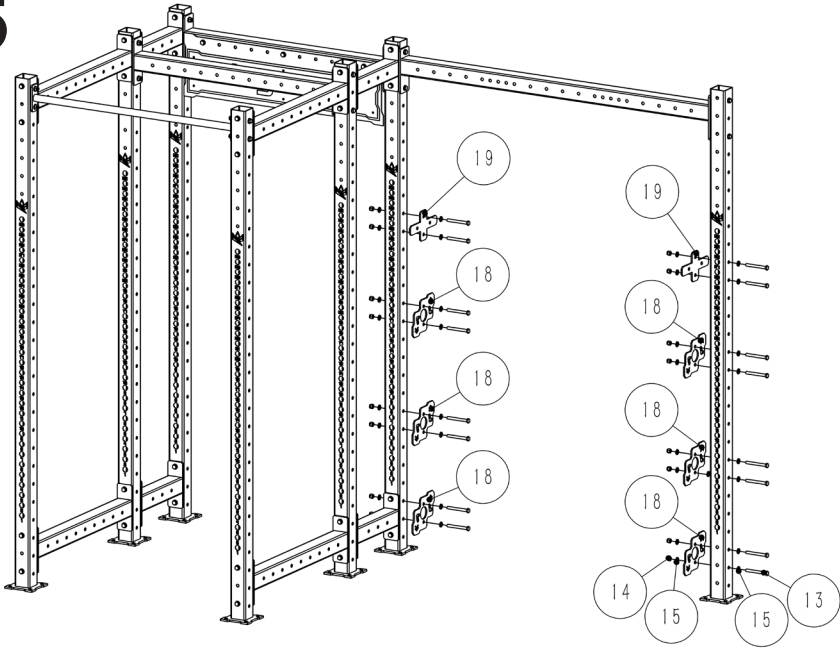


4

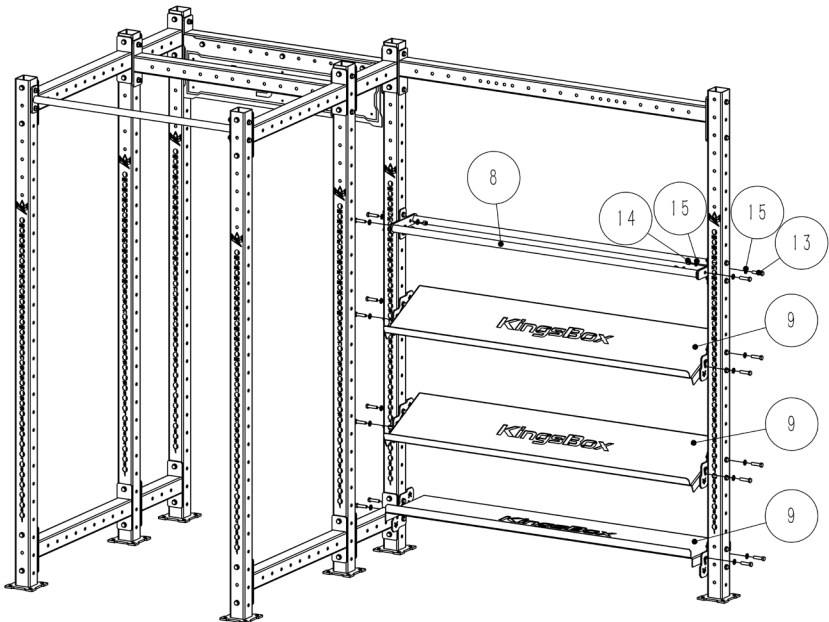


Assembly instruction:

5

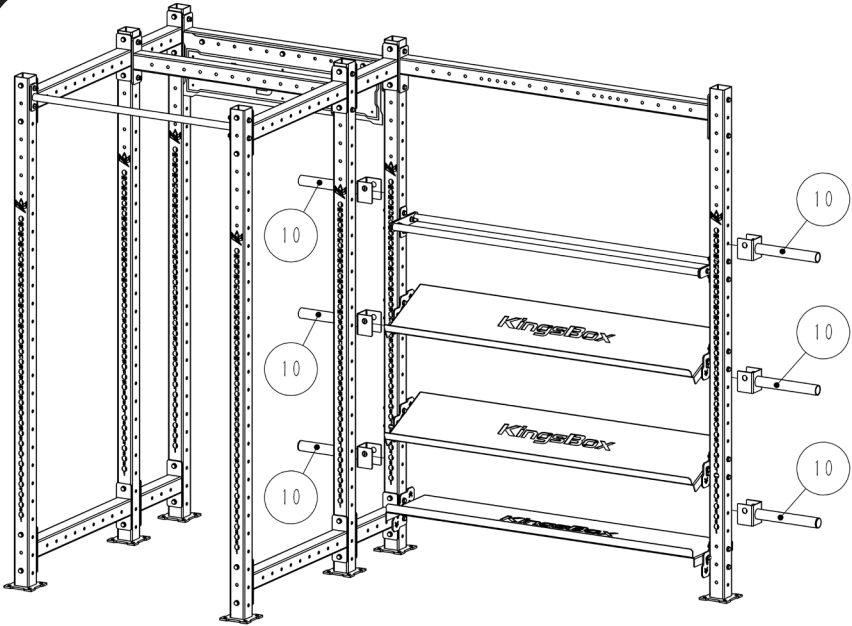


6

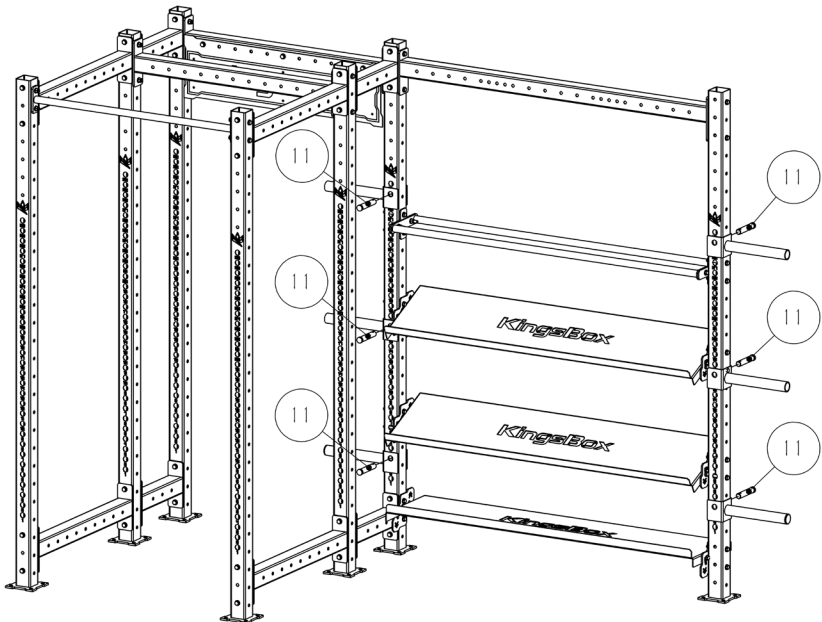


Assembly instruction:

7

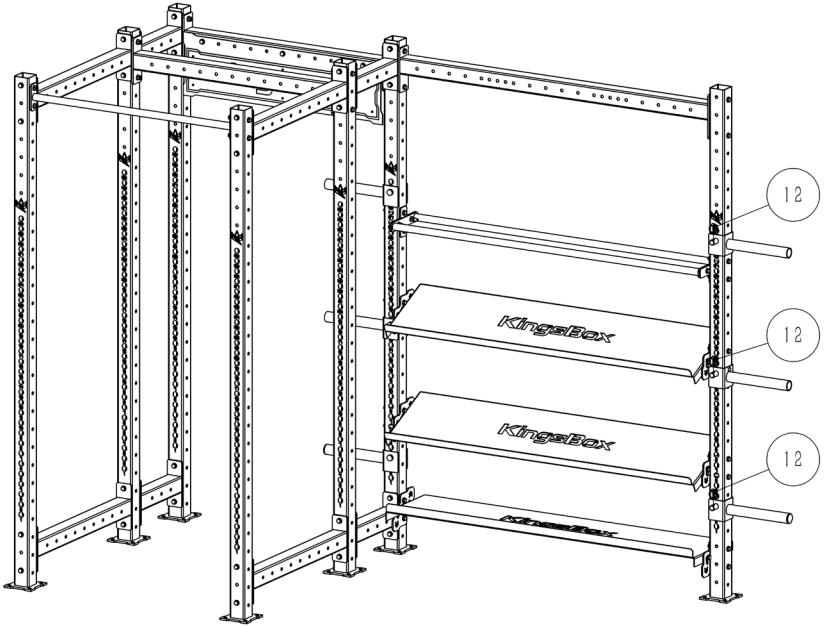


8

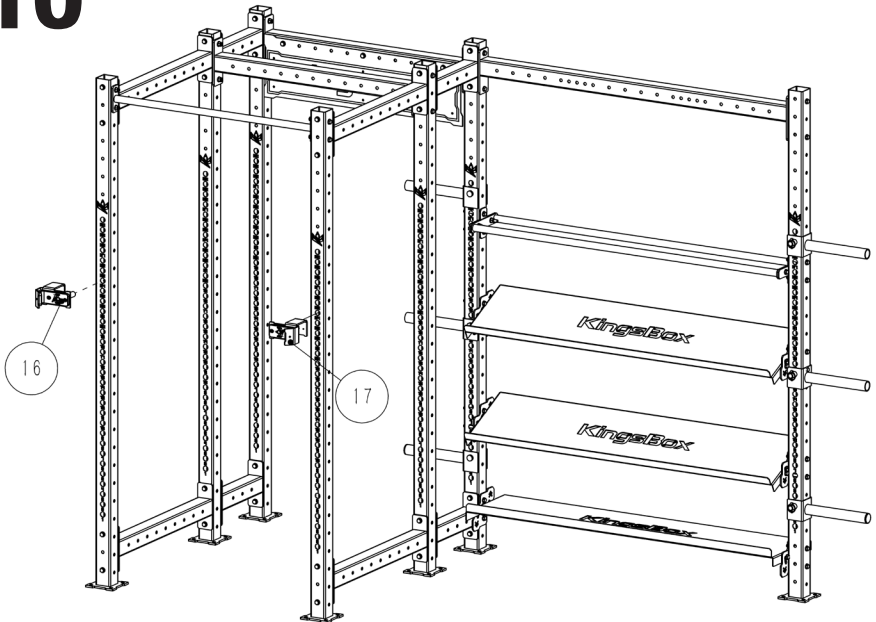


Assembly instruction:

9



10



Assembly instruction:

11

