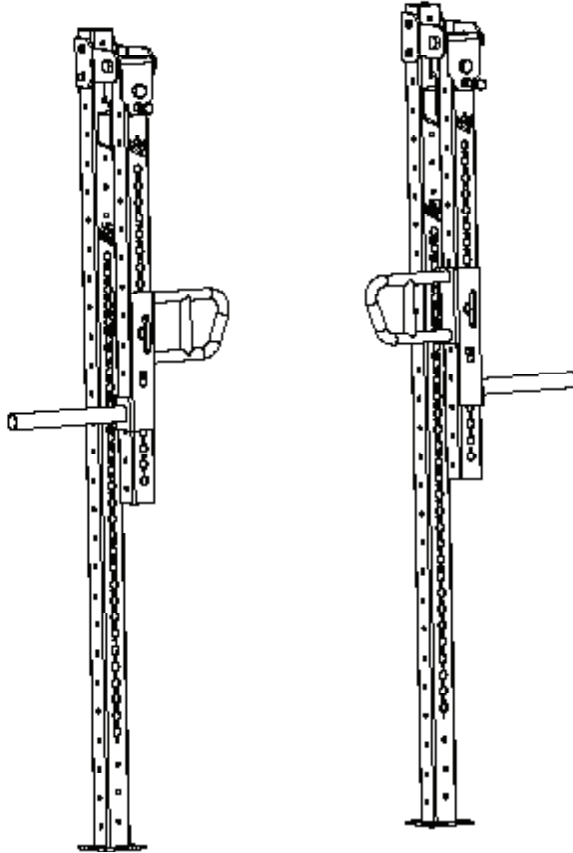


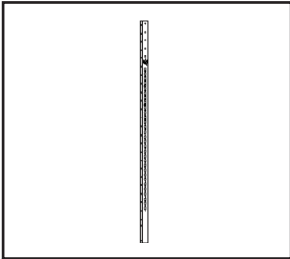
# Mighty Jammer Arms



**KingsBox<sup>®</sup>**

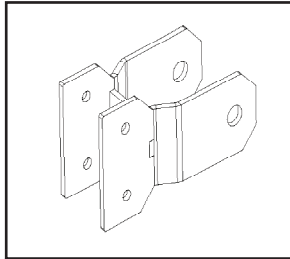
BUILDING BETTER HUMANS

# Assembly elements:



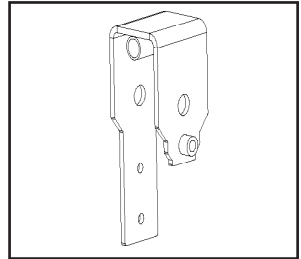
**Position 1**

**Upright CX Mighty  
2500**



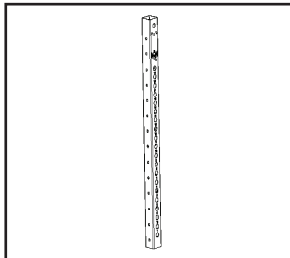
**Position 2**

**Jammer Arm  
Holder F**



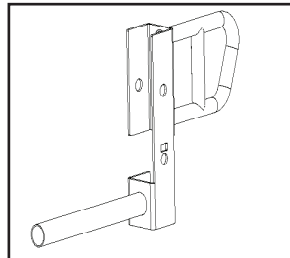
**Position 3**

**Jammer Arm Adj.  
Holder F**



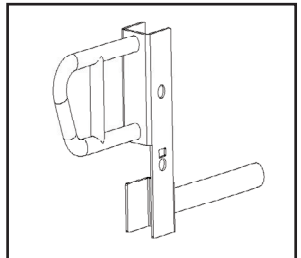
**Position 4**

**Jammer Arm F**



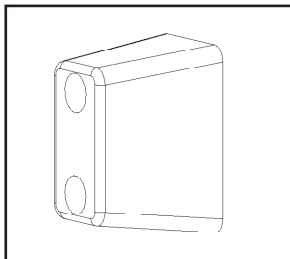
**Position 5**

**Jammer Arm Grip L**



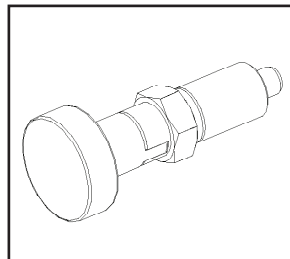
**Position 6**

**Jammer Arm Grip D**



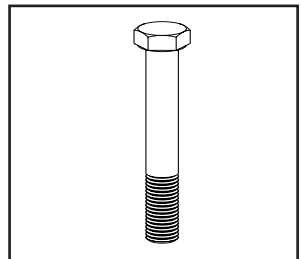
**Position 7**

**Rubber Buffer**



**Position 8**

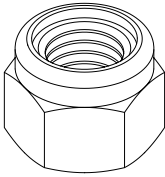
**Index Plunger  
M16x1,5**



**Position 9**

**M24x130**

# Assembly elements:



**Position 10**

**M24 nuts**



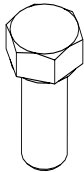
**Position 11**

**M12x110**



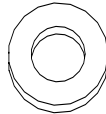
**Position 12**

**M24x160**



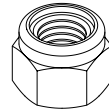
**Position 13**

**M12x12**



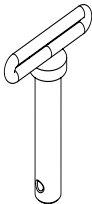
**Position 14**

**M12 Washer**



**Position 15**

**M12 Nuts**

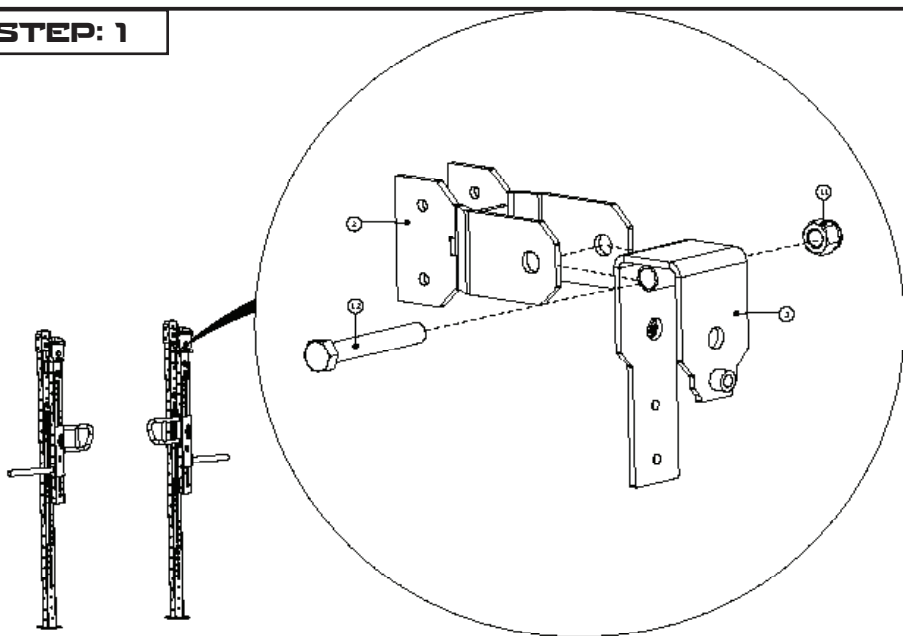


**Position 16**

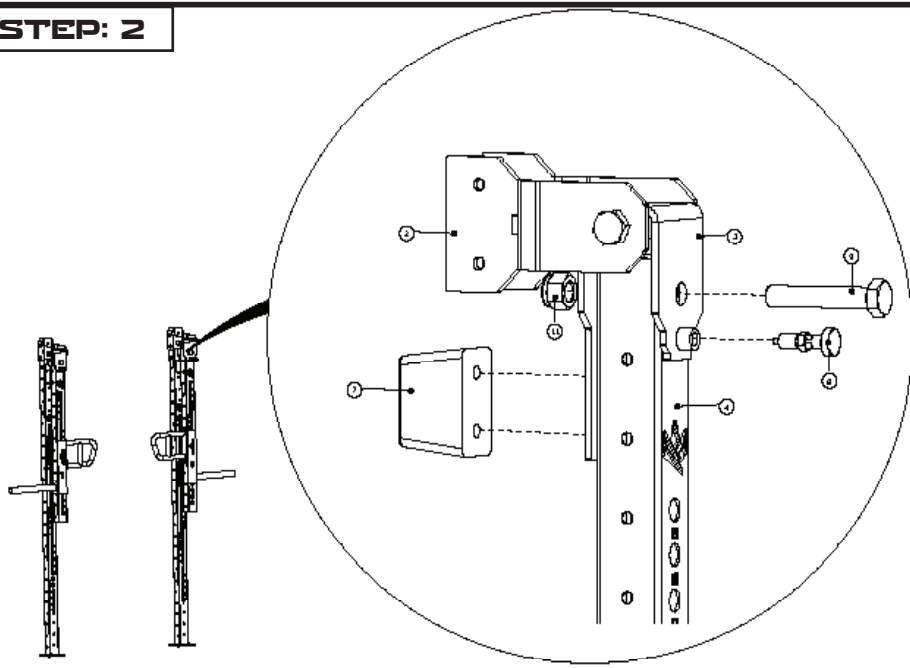
**Pin Bolt fi 25**

# Assembly instructions:

## STEP: 1

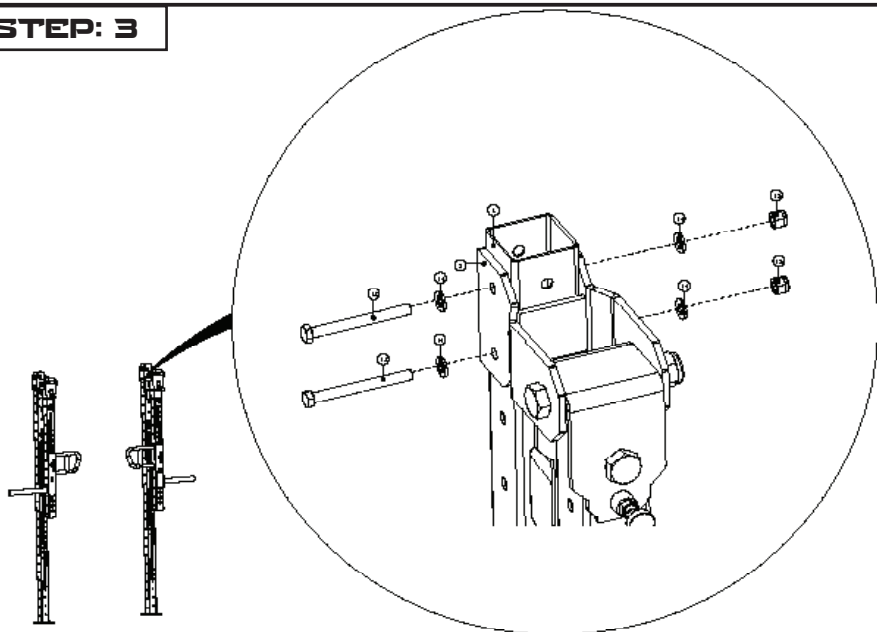


## STEP: 2



# Assembly instructions:

## STEP: 3



## STEP: 4

