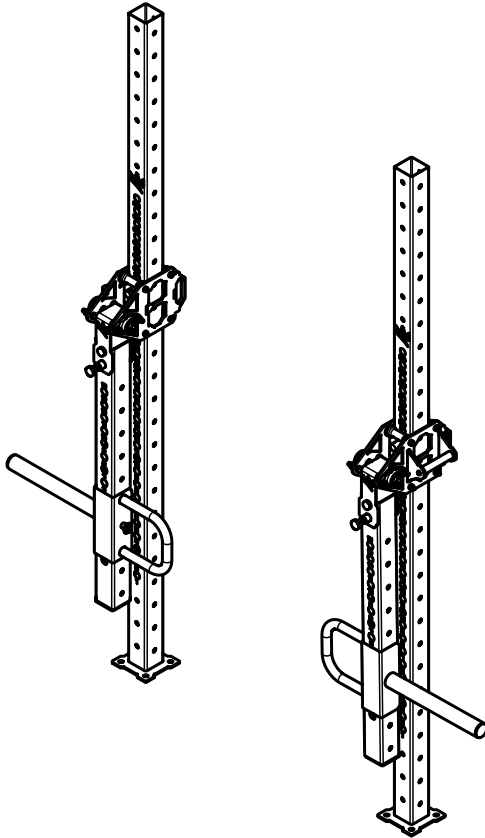
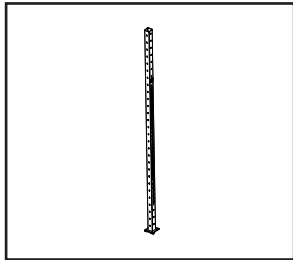


# Adjustable Jammer Arms



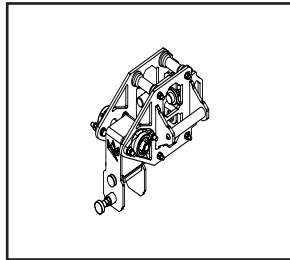
**KingsBox<sup>®</sup>**  
BUILDING BETTER HUMANS

# Assembly elements:



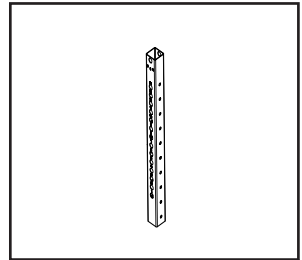
**position 1** | **2x**

**Upright**



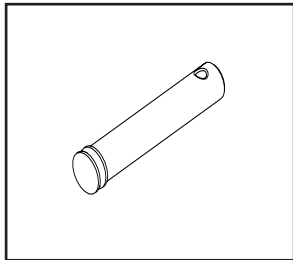
**position 2** | **2x**

**Trolley**



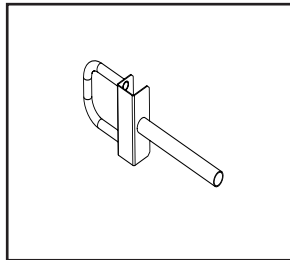
**position 3** | **2x**

**Jammer Arm**



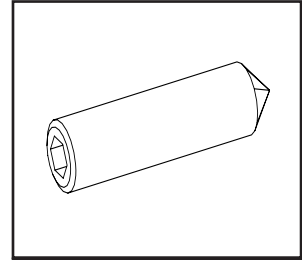
**position 4** | **4x**

**Boltsen**



**position 5** | **2x**

**Jammer Arm Grip**

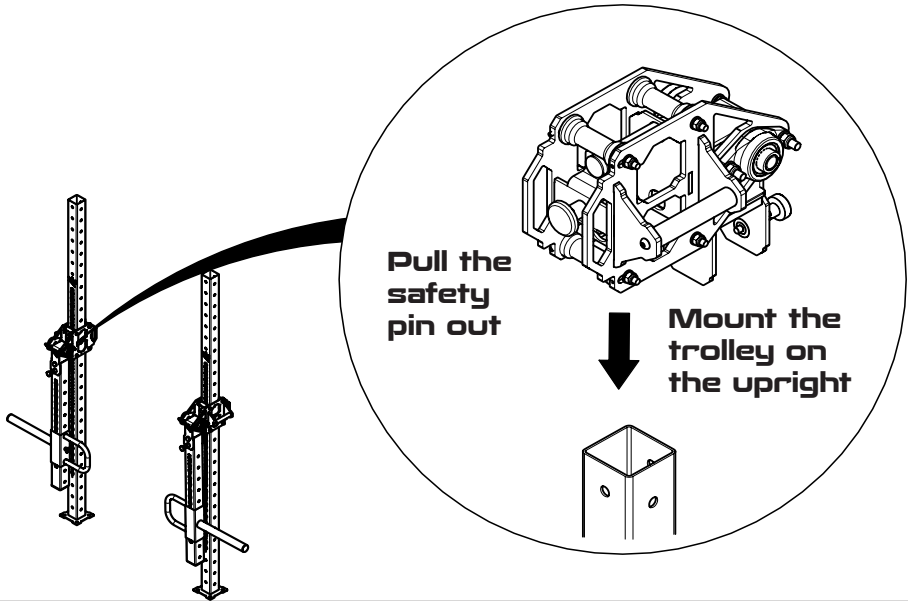


**position 6** | **8x**

**Socket Set Screw**

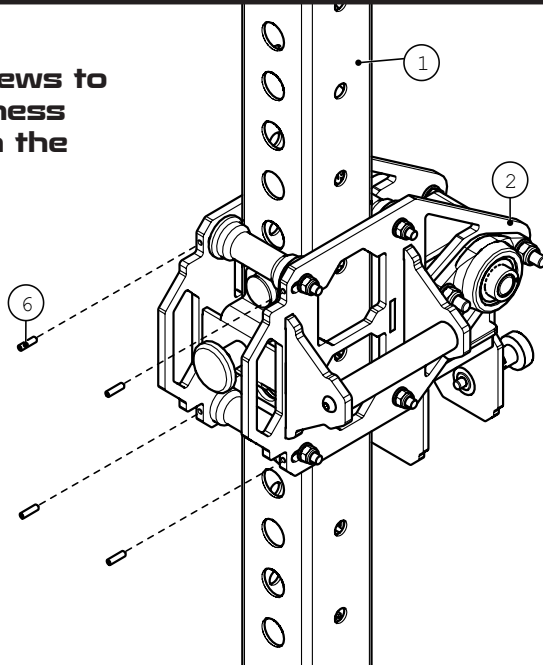
# Assembly instructions:

## STEP 1



## STEP 2

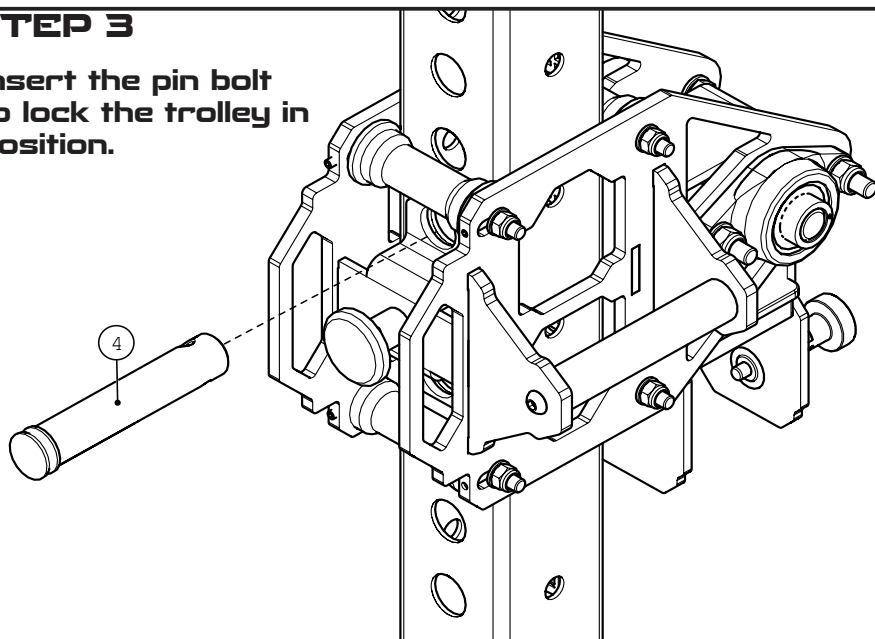
Tighten the screws to adjust the tightness of the trolley on the upright



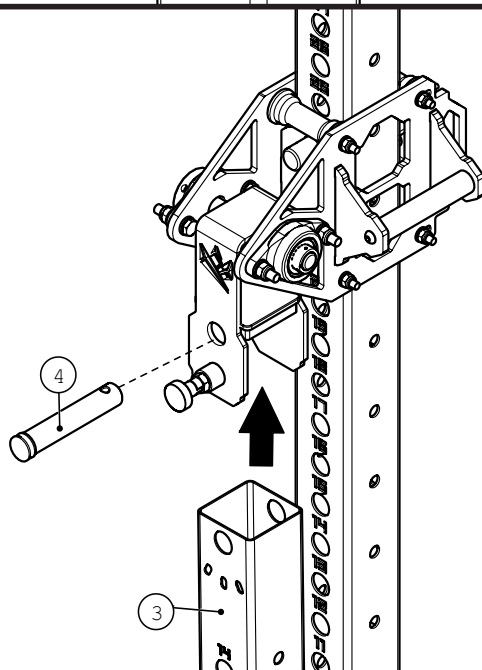
# Assembly instructions:

## STEP 3

Insert the pin bolt to lock the trolley in position.

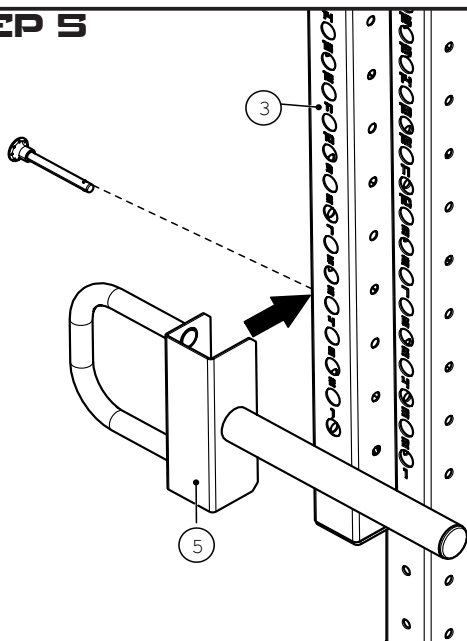


## STEP 4



# Assembly instructions:

## STEP 5



## STEP 6

