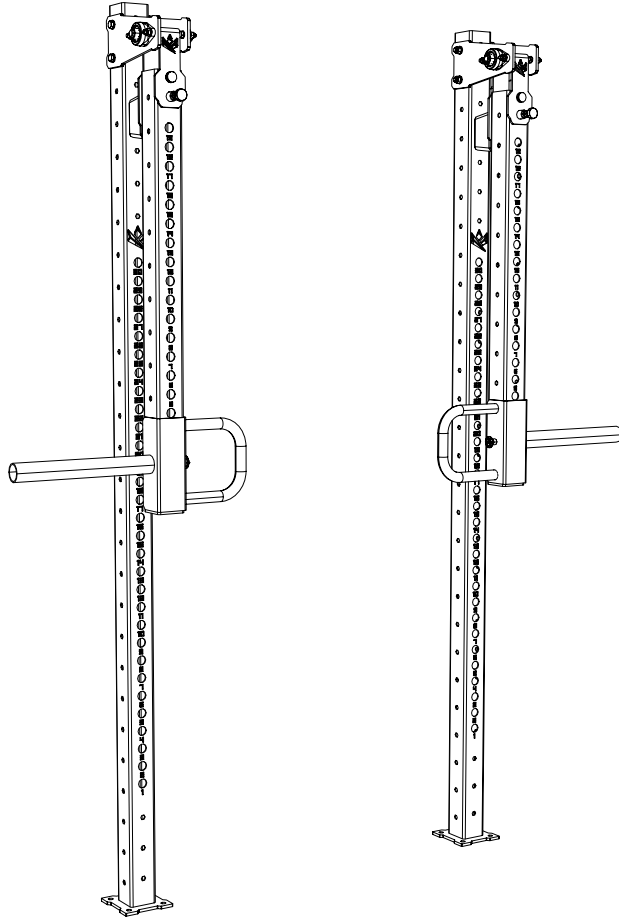
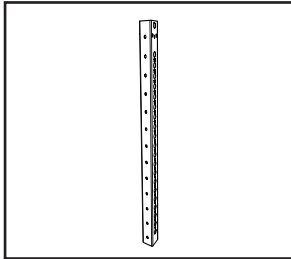


# Mighty Jammer Arms 2.0



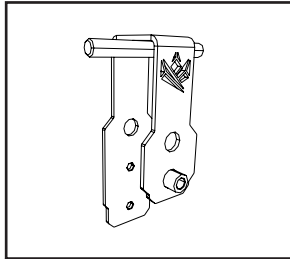
**KingsBox<sup>®</sup>**  
BUILDING BETTER HUMANS

# Assembly elements:



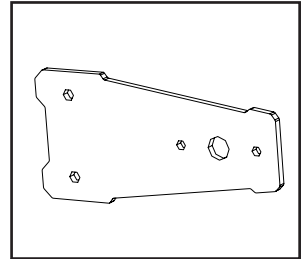
**Position 1**

Jammer Arm



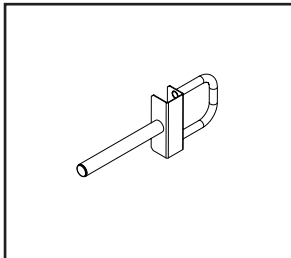
**Position 2**

Jammer Adj. Holder



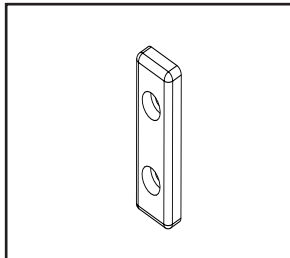
**Position 3**

Jammer Plate



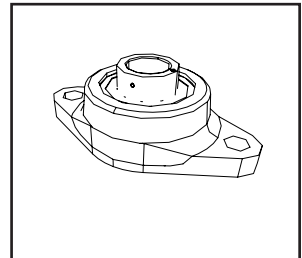
**Position 4**

Jammer Grip Handle



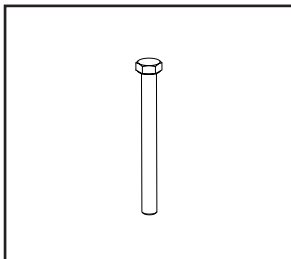
**Position 5**

Rubberized Mat



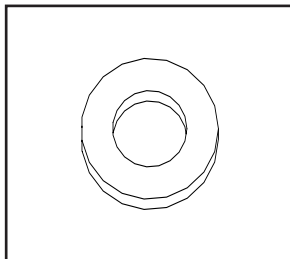
**Position 6**

pcjty20



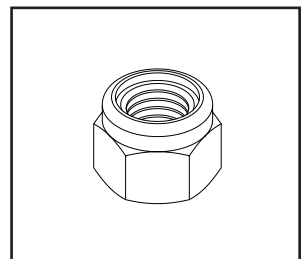
**Position 7**

M12x120



**Position 8**

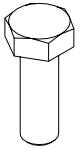
Washer M12



**Position 9**

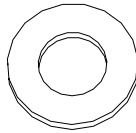
Nut M12

# Assembly elements:



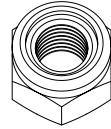
**Position 10**

**M10x40**



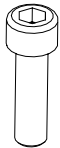
**Position 11**

**Washer M10**



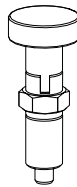
**Position 12**

**Nut M10**



**Position 13**

**Imbus M10x35**



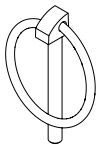
**Position 14**

**Index Plunge  
M16x1,5**



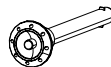
**Position 15**

**Pin Bolt fi25**



**Position 16**

**Fuse 4,5 mm**

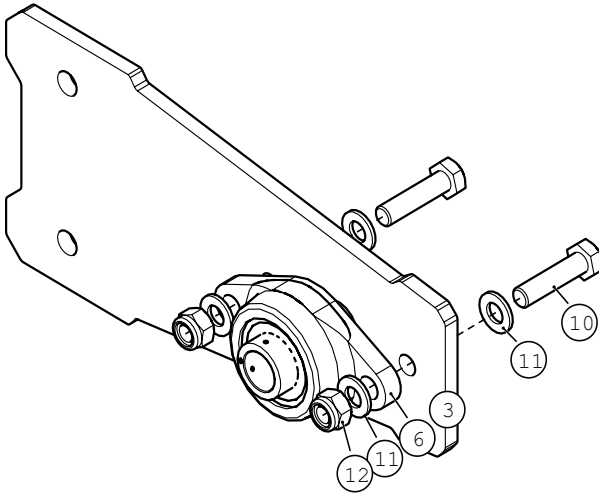


**Position 17**

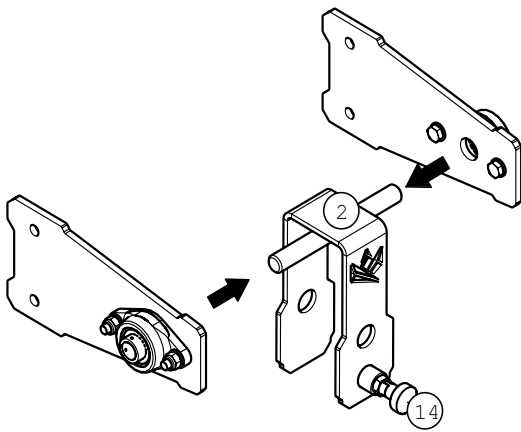
**Pin Bolt fi12**

# Assembly instruction:

## STEP: 1

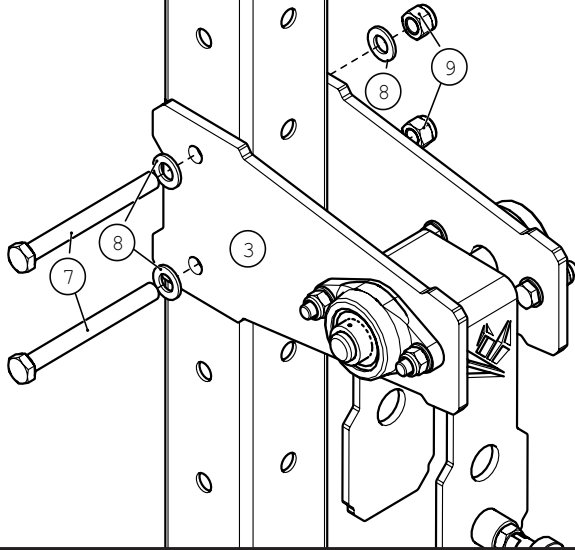


## STEP: 2

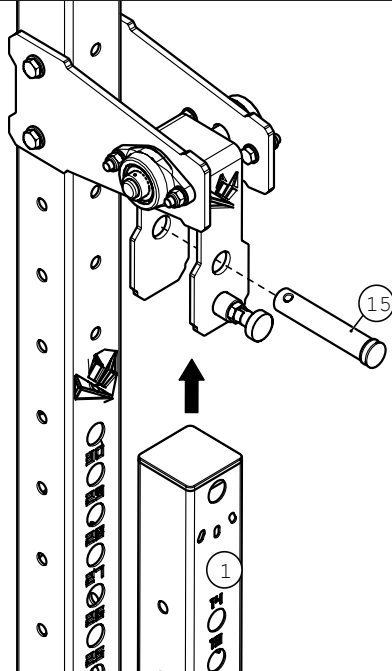


# Assembly instruction:

**STEP: 3**

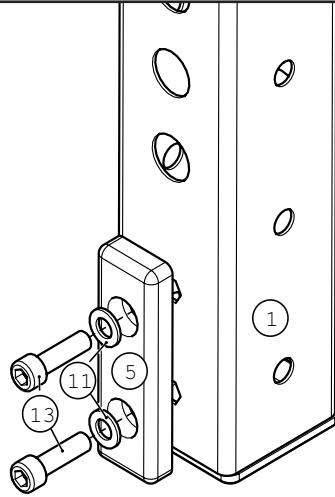


**STEP: 4**



# Assembly instruction:

**STEP: 5**



**STEP: 6**

