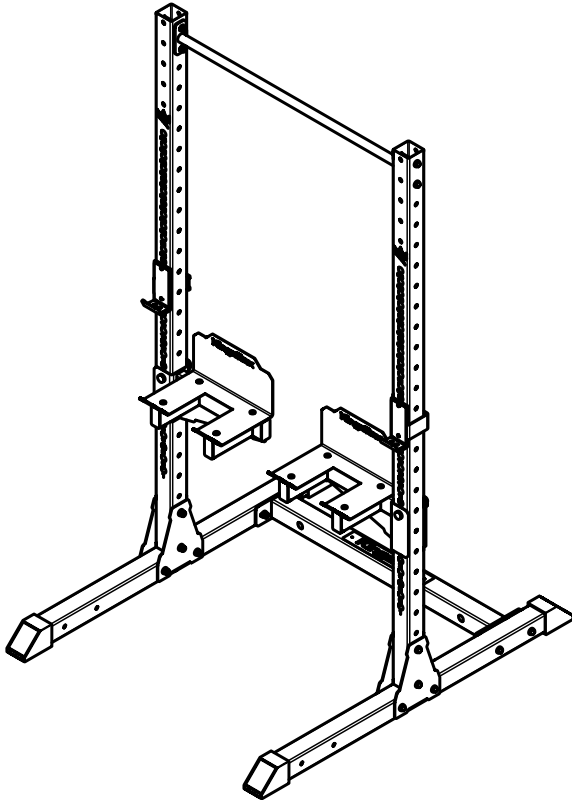
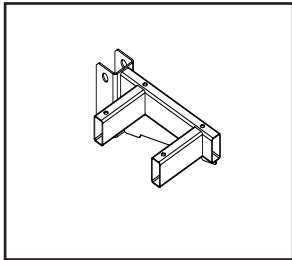


Mighty DB Holder



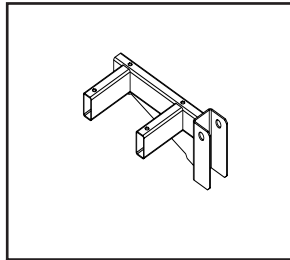
KingsBox[®]
BUILDING BETTER HUMANS

Assembly elements:



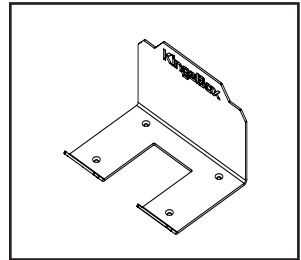
position 1 | **1x**

**Mighty DB
Holder_L**



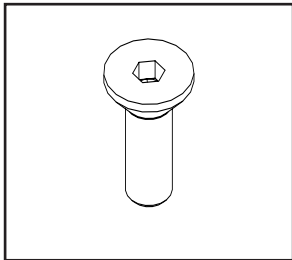
position 2 | **1x**

**Mighty DB
Holder_D**



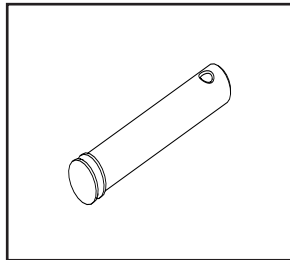
position 3 | **2x**

DB Holder Plate



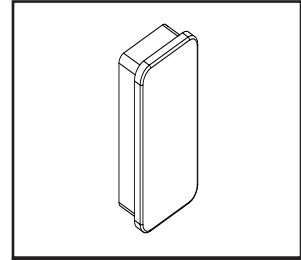
position 4 | **8x**

M10x25



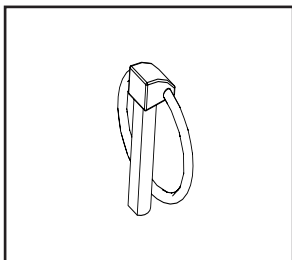
position 5 | **2x**

Pin Bolt



position 6 | **6x**

Plug 80x40

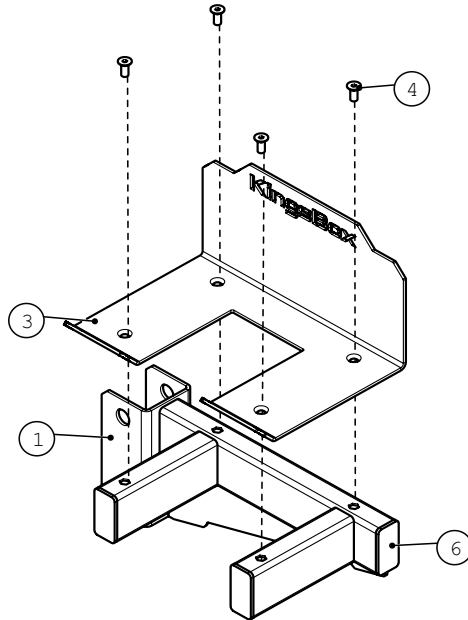


position 7 | **2x**

Lynch Pin

Assembly instructions:

STEP 1



STEP 2

