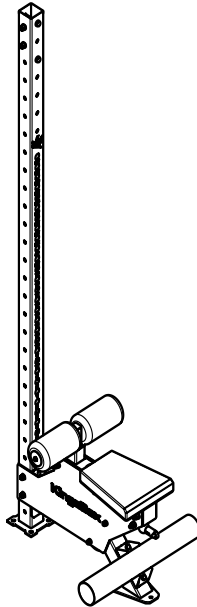


Mighty Fixed Seat / Row Attachment



KingsBox®
BUILDING BETTER HUMANS

ATTENZIONE!

Se la struttura non viene fissata a terra e/o al muro, può rib-altarsi e/o provocare danni a persone o oggetti in immediata vicinanza.

I bulloni per il fissaggio del rig a muro e/o al pavimento non sono inclusi nel pacco, in quanto per diversi tipi di muro e pavimentazione bisogna utilizzare diversi tipi di bulloni d'ancoraggio.

OPOZORILO!

Če se struktura prevrne, lahko pride do resnih telesnih poškodb. Da bi preprečili nevarnost, da se ta struktura prevrne, mora biti pritrjena na steno in / ali v tla.

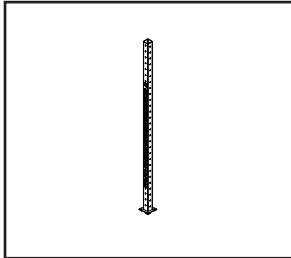
Vijaki za pritrjevanje strukture na steno oz. tla niso priloženi, saj različne sestave zidov oz. tal zahtevajo različne vrste pritrdilnih elementov. Uporabite take, ki ustrezajo sestavi vaše stene oz. tal.

WARNING!

If the structure is not secured to the ground and / or to the wall, it may overturn and / or cause damage to person or object in the immediate vicinity.

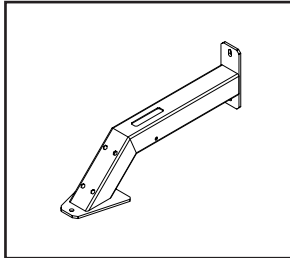
The fixing bolts for wall and / or floor are not included in the pack-age, since different types of anchor bolts must be used for different wall / floor types.

Assembly elements:



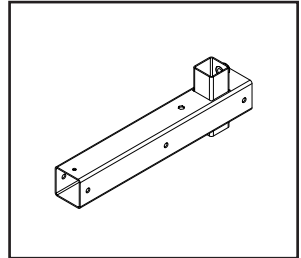
Position 0

Upright CX Mighty
2500 v



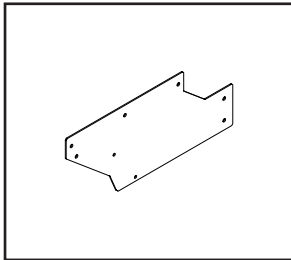
Position 1

PLR Profile



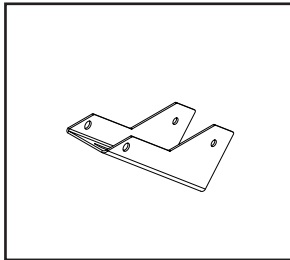
Position 2

PT_Lat Pull_Seat
Profile_Horizontal



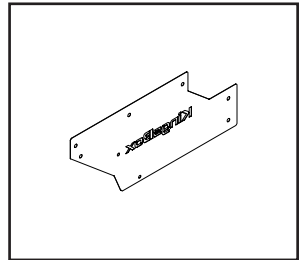
Position 3

PLR_Plate



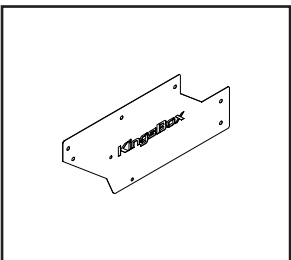
Position 4

PLR_Cover Plate



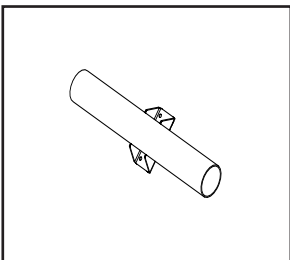
Position 5

PLR_Logo Plate_L



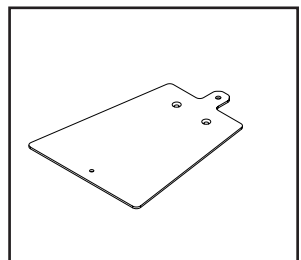
Position 6

PLR_Logo Plate_D



Position 7

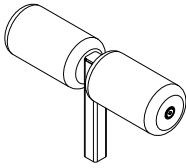
PT_Foot Rest



Position 8

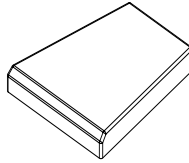
PT_Seat Plate

Assembly elements:



Position 9

Leg Holder



Position 10

Adj. Back Pillow II.



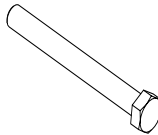
Position 11

Belt Pulley Fi 114



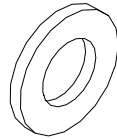
Position 12

Pulley Bush fi25



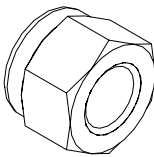
Position 13

M12x110



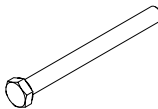
Position 14

M12 Washer



Position 15

M12 Nut



Position 16

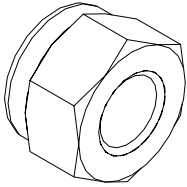
M10x110



Position 17

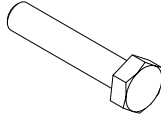
M10 Washer

Assembly elements:



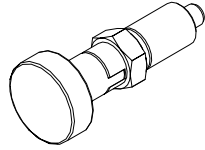
Position 18

M10 Nut



Position 19

M10x30

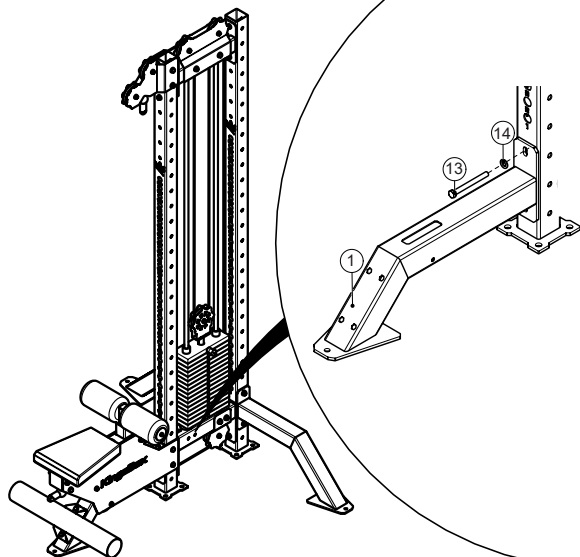


Position 20

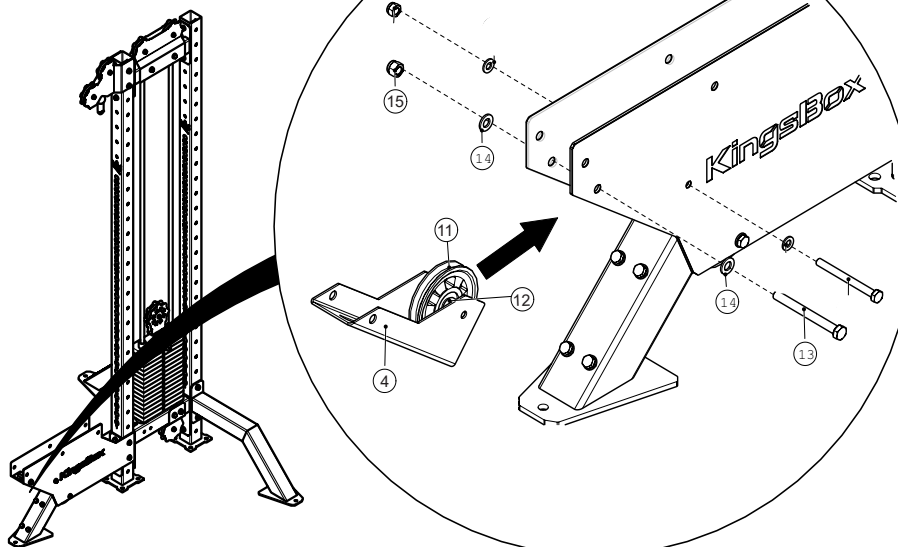
Index Plunger

Assembly instruction:

STEP: 1

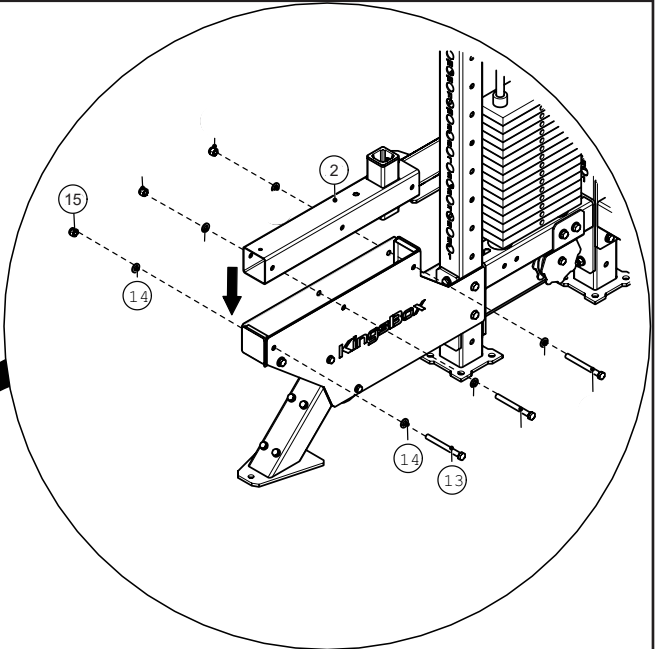
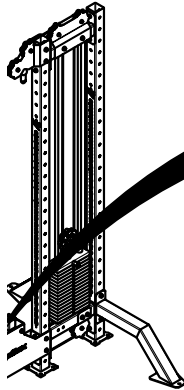


STEP: 2

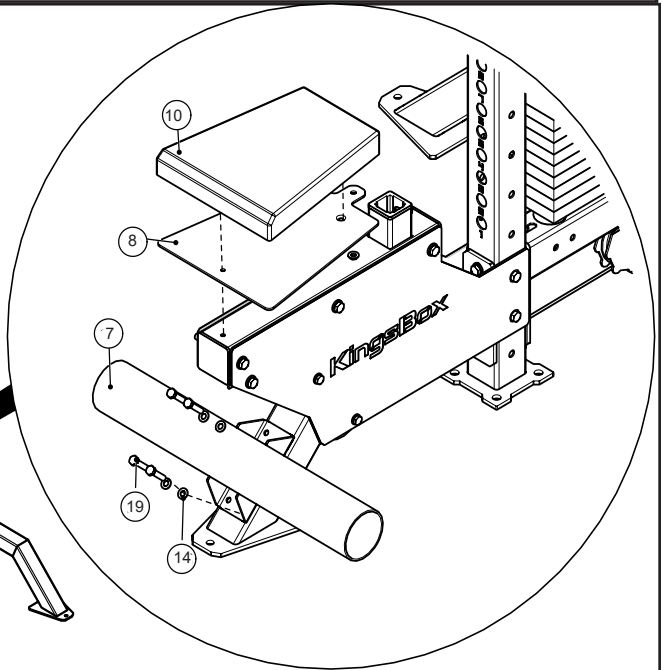
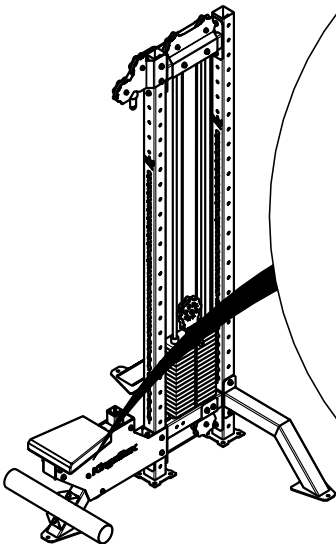


Assembly instruction:

STEP: 3

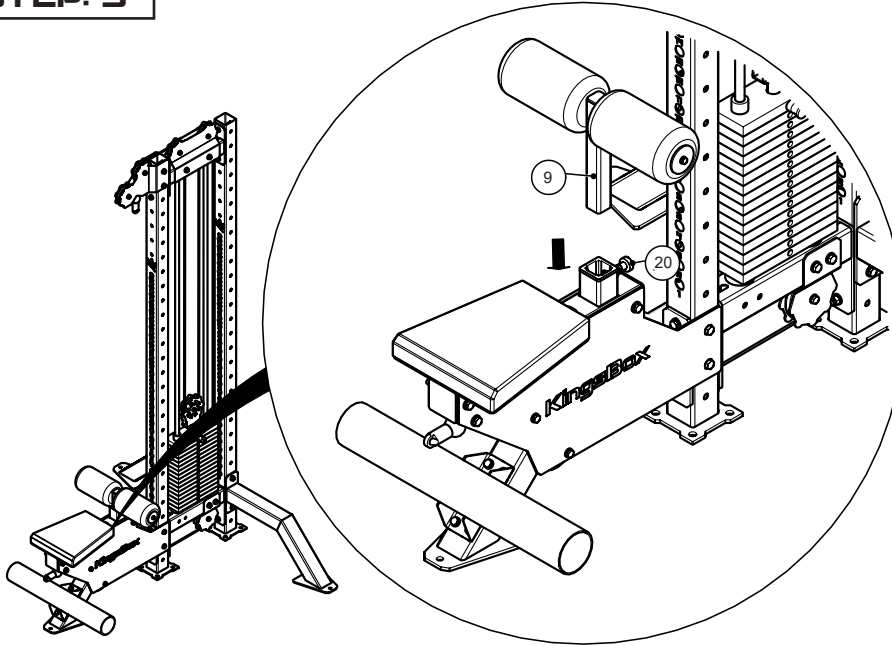


STEP: 4

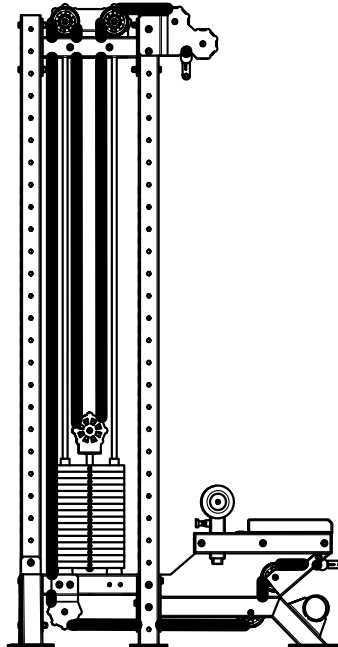


Assembly instruction:

STEP: 5



STEP: 6



Assembly instruction:

STEP: 7

