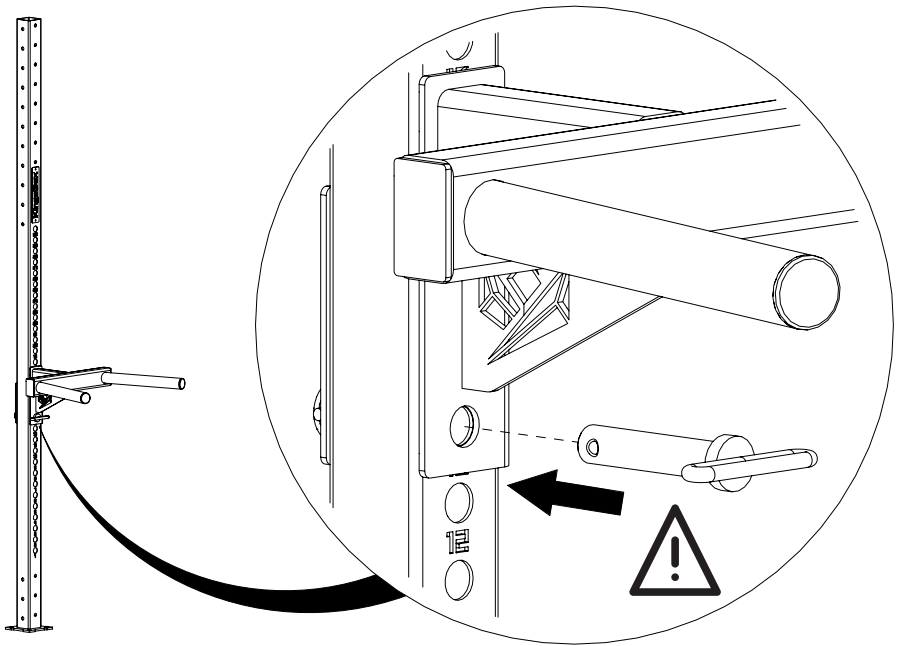


# Dip Bar (Front Fit)



**Warning!**  
**Mandatory use of the submitted Pin Bolts!**