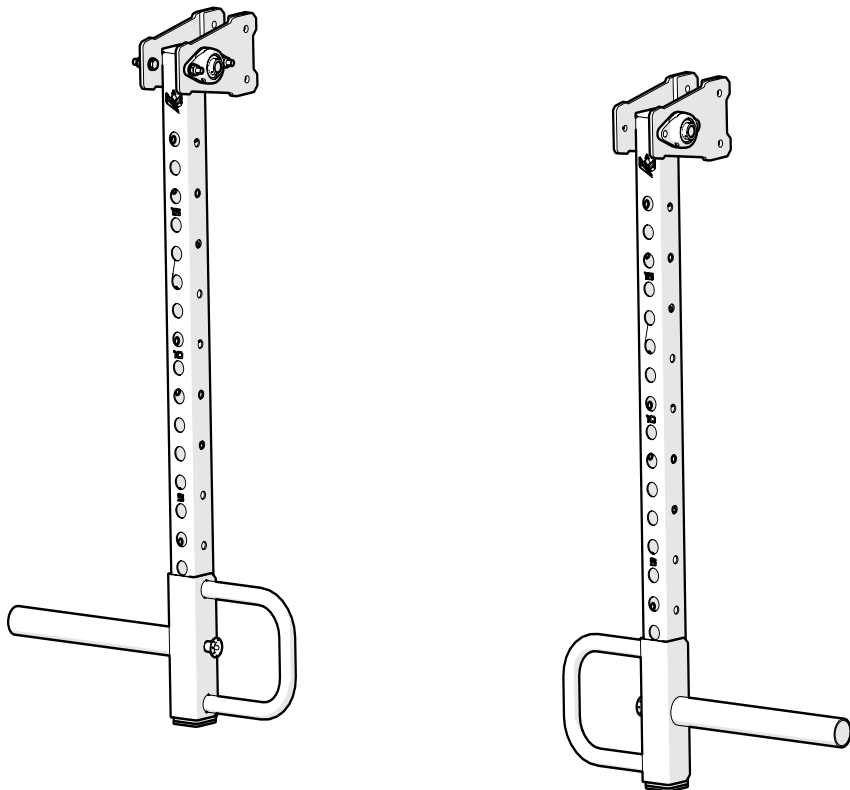


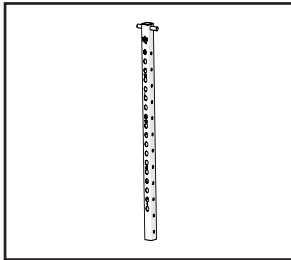
Royal Jammer Arms



KingsBox[®]

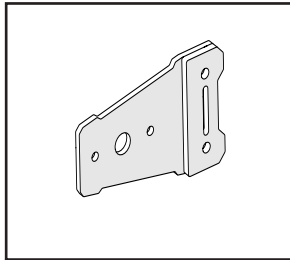
BUILDING BETTER HUMANS

Assembly elements:



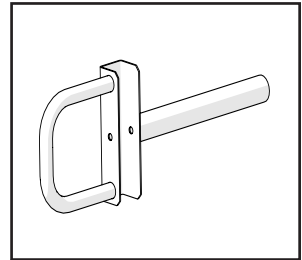
Position 1

Royal Jammer
Arm_KT



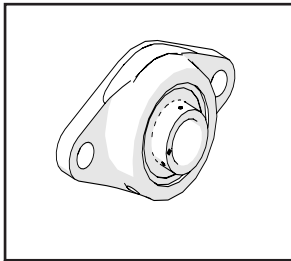
Position 2

Royal Jammer Plate



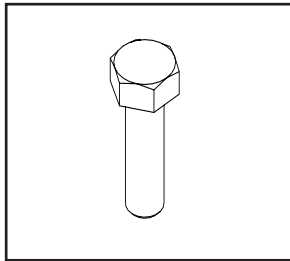
Position 3

Royal Jammer
Grip Handle



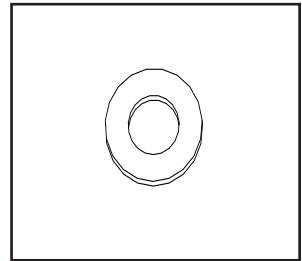
Position 4

PCJTY20-xl-n



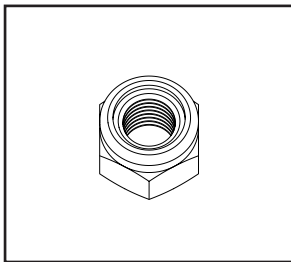
Position 5

M10x30



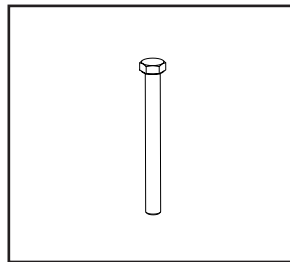
Position 6

Washer M10



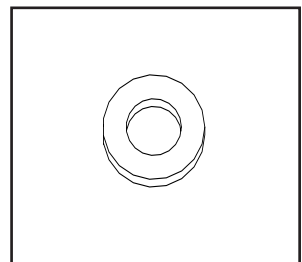
Position 7

Nut M10



Position 8

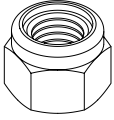
M12x120



Position 9

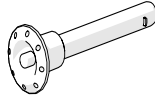
Washer M12

Assembly elements:



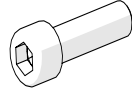
Position 10

Nut M12



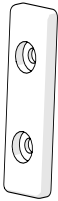
Position 11

Locking Pin 12x80



Position 12

Imbus M10

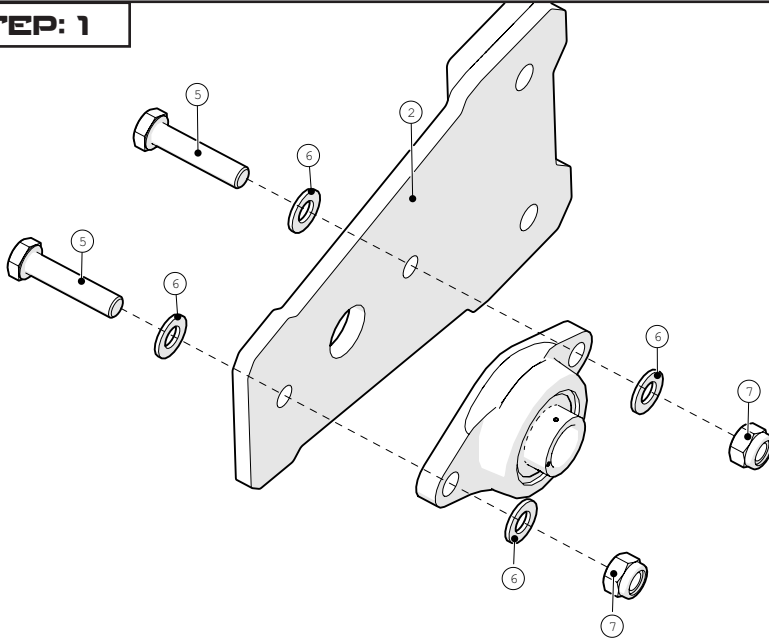


Position 13

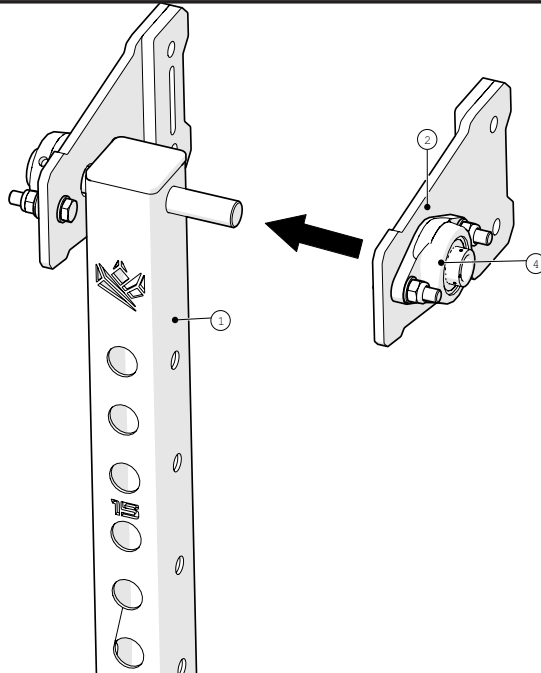
**Rubberized mat
125x40x15**

Assembly instruction:

STEP: 1

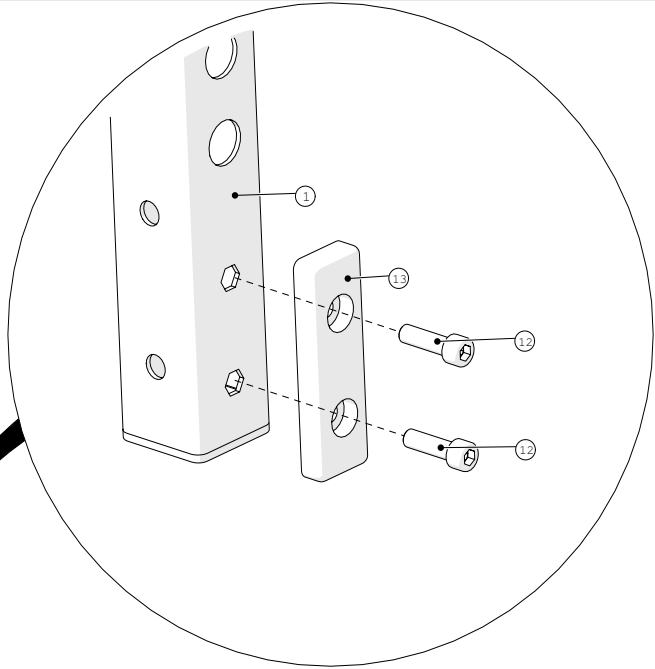
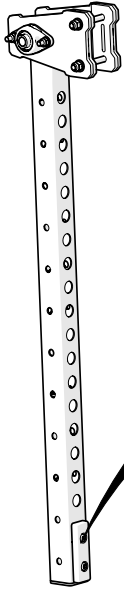


STEP: 2



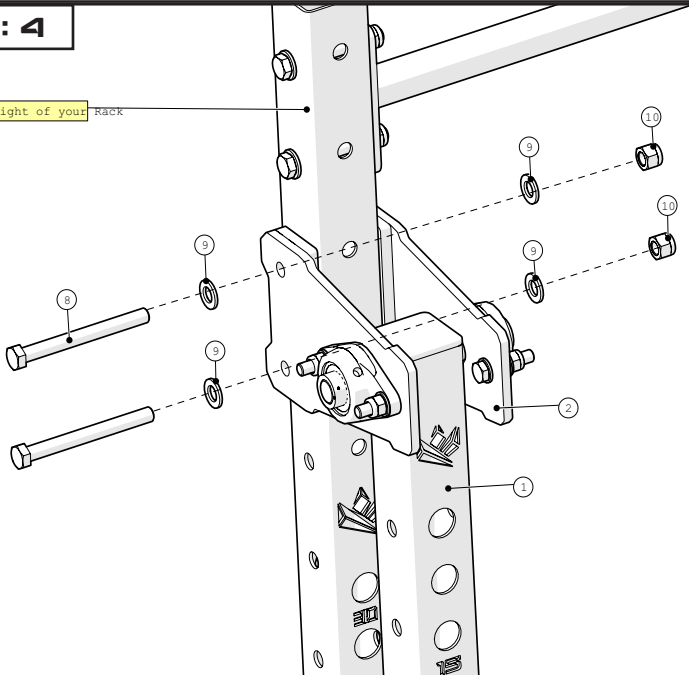
Assembly instruction:

STEP: 3



STEP: 4

Upright of your Rack



Assembly instruction:

STEP: 5

