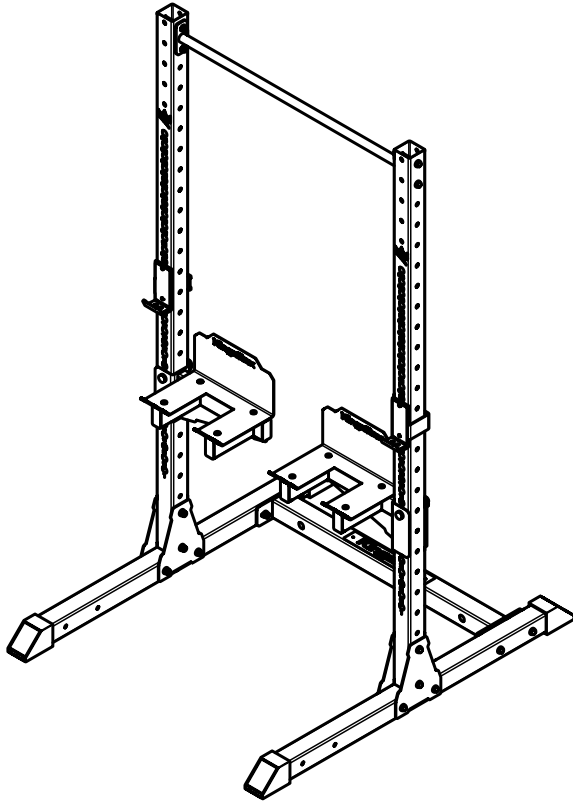
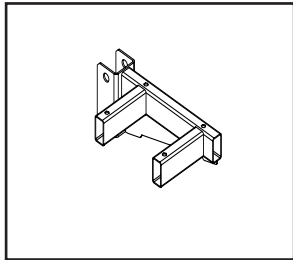


# Royal DB Holder



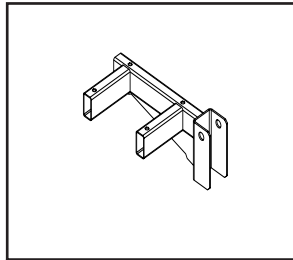
**KingsBox<sup>®</sup>**  
BUILDING BETTER HUMANS

# Assembly elements:



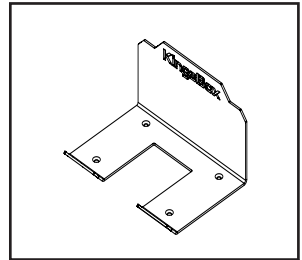
**position 1** 1x

**Royal DB  
Holder\_L**



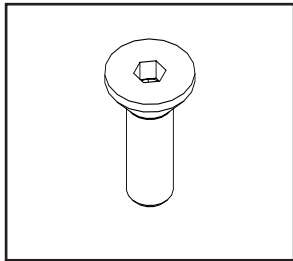
**position 2** 1x

**Royal DB  
Holder\_D**



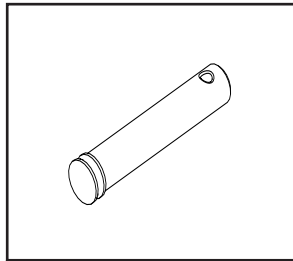
**position 3** 2x

**DB Holder Plate**



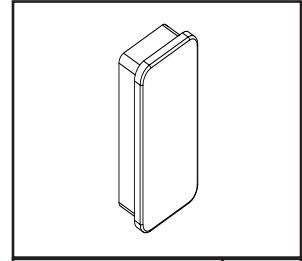
**position 4** 8x

**M10x25**



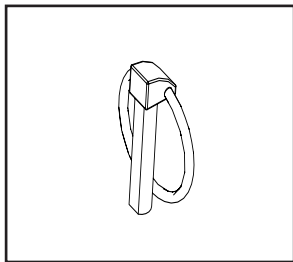
**position 5** 2x

**Pin Bolt**



**position 6** 6x

**Plug 80x40**

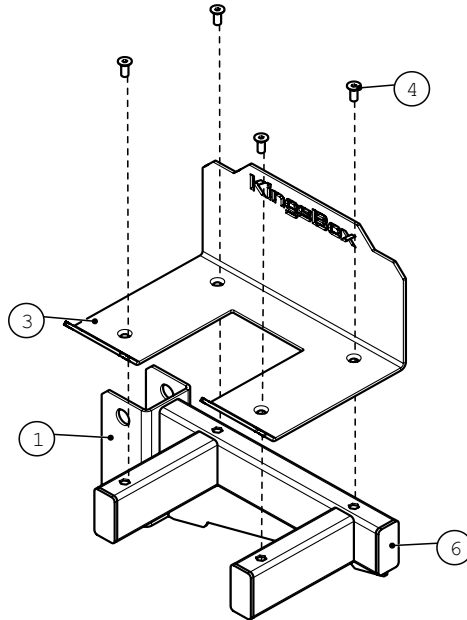


**position 7** 2x

**Lynch Pin**

# Assembly instructions:

## STEP 1



## STEP 2

