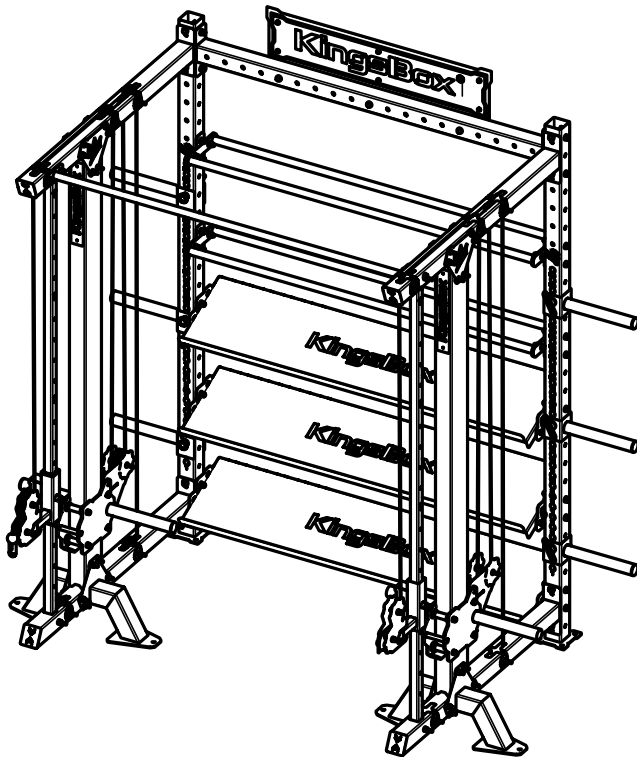


# Hydra Pulley Station



**KingsBox<sup>®</sup>**  
BUILDING BETTER HUMANS

## **ATTENZIONE!**

**Se la struttura non viene fissata a terra e/o al muro, può rib-altarsi e/o provocare danni a persone o oggetti in immediata vicinanza.**

I bulloni per il fissaggio del rig a muro e/o al pavimento non sono inclusi nel pacco, in quanto per diversi tipi di muro e pavimentazione bisogna utilizzare diversi tipi di bulloni d'ancoraggio.

---

## **OPOZORILO!**

**Če se struktura prevrne, lahko pride do resnih telesnih poškodb. Da bi preprečili nevarnost, da se ta struktura prevrne, mora biti pritrjena na steno in / ali v tla.**

Vijaki za pritrjevanje strukture na steno oz. tla niso priloženi, saj različne sestave zidov oz. tal zahtevajo različne vrste pritrdilnih elementov. Uporabite take, ki ustrezajo sestavi vaše stene oz. tal.

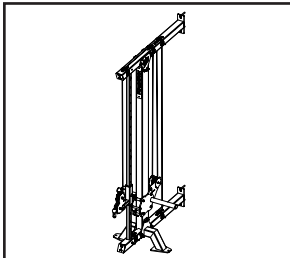
---

## **WARNING!**

**If the structure is not secured to the ground and / or to the wall, it may overturn and / or cause damage to person or object in the immediate vicinity.**

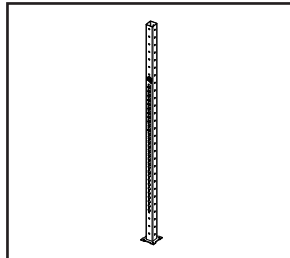
The fixing bolts for wall and / or floor are not included in the pack-age, since different types of anchor bolts must be used for different wall / floor types.

# Assembly elements:



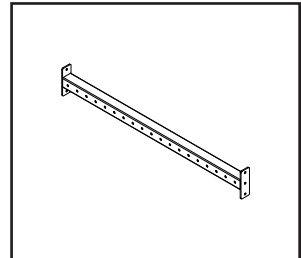
**Position 1**

Adj. kit for Cable  
Cross Over



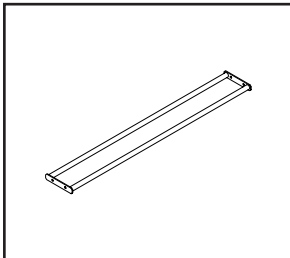
**Position 2**

**Upright CX Mighty  
2500**



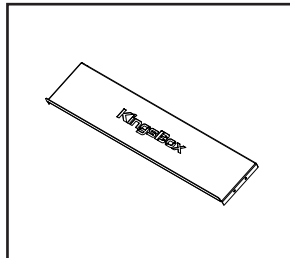
**Position 3**

**Linked Profile 400 F**



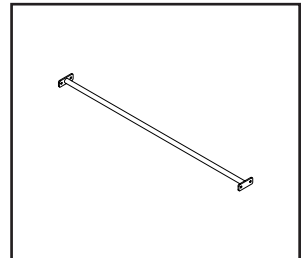
**Position 4**

**SB Shelf III. 1700**



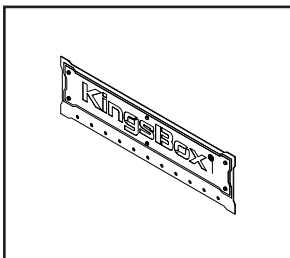
**Position 5**

**Dumbbell Shelf III.  
1700**



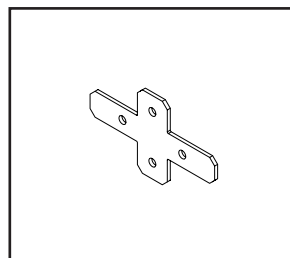
**Position 6**

**PU Bar Monkey S  
1700**



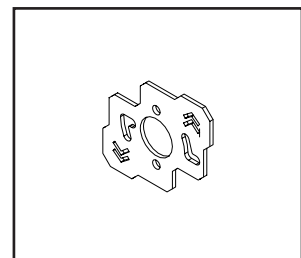
**Position 7**

**KingsBox Manifesto  
Sign III.**



**Position 8**

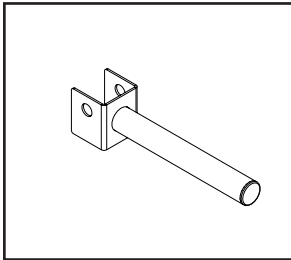
**Spacer for SB and  
Kettlebell Shelf**



**Position 9**

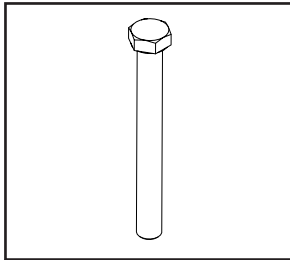
**Adj. Spacer for  
Dumbbell Shelf**

# Assembly elements:



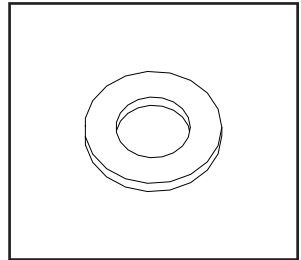
**Position 10**

**Mighty Mortar**



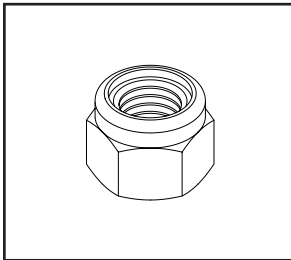
**Position 11**

**M12x110**



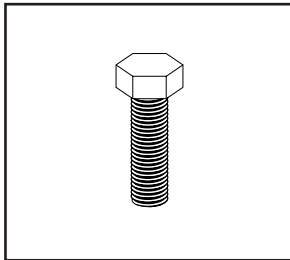
**Position 12**

**M12 Washer**



**Position 13**

**M12 Nuts**

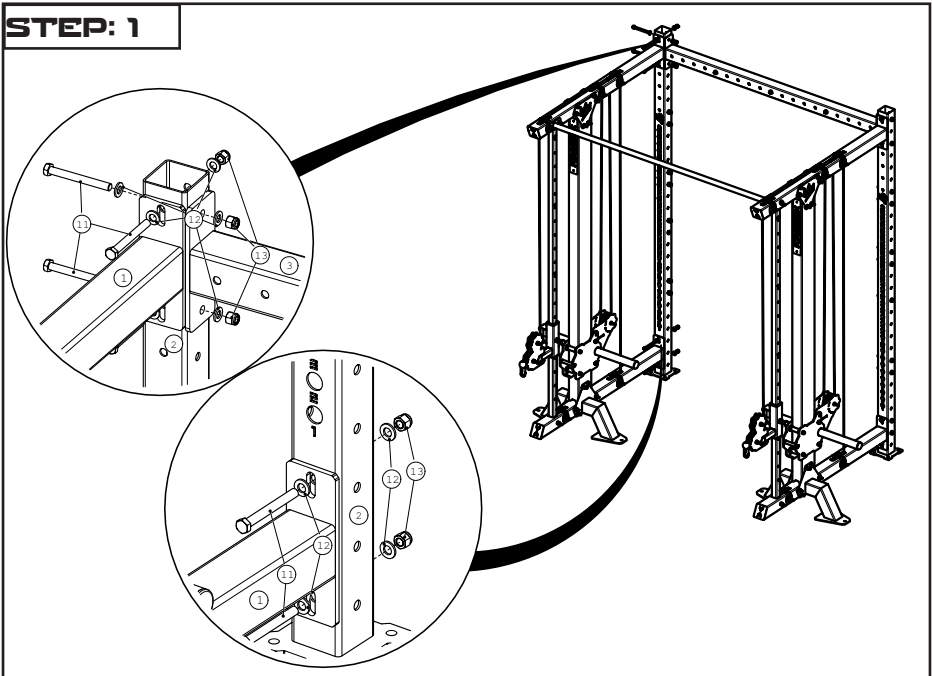


**Position 14**

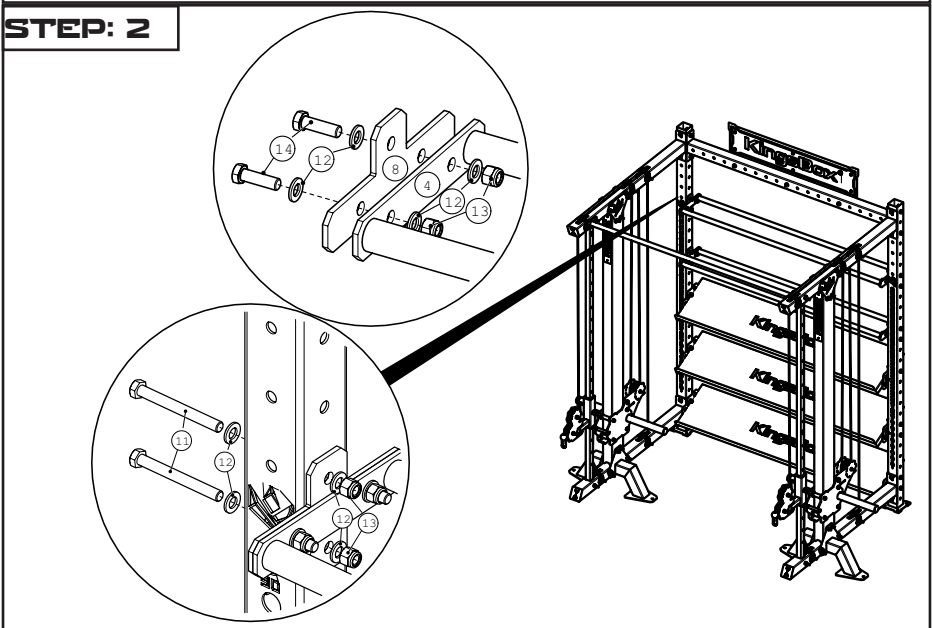
**M12x40**

# Assembly instruction:

## STEP: 1

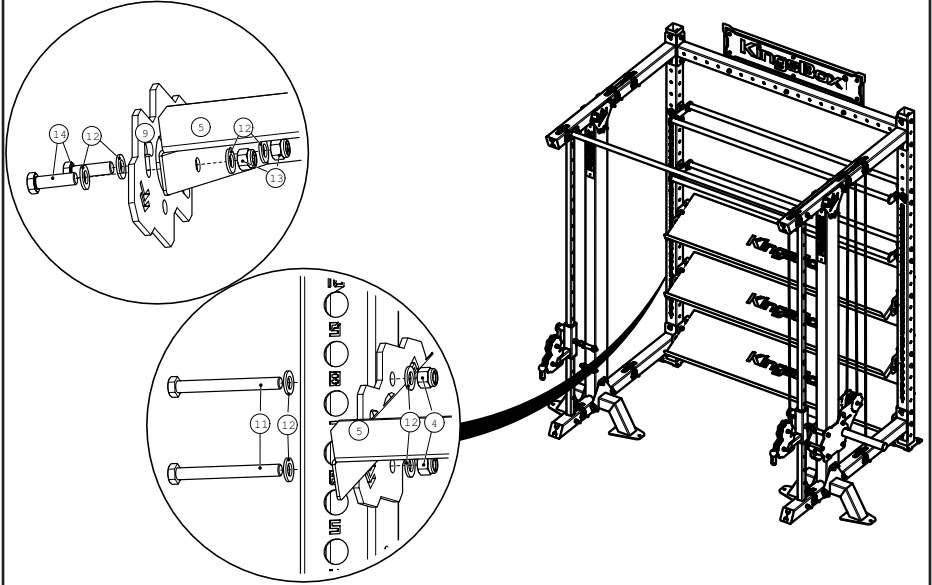


## STEP: 2



# Assembly instruction:

## STEP: 3



## STEP: 4

