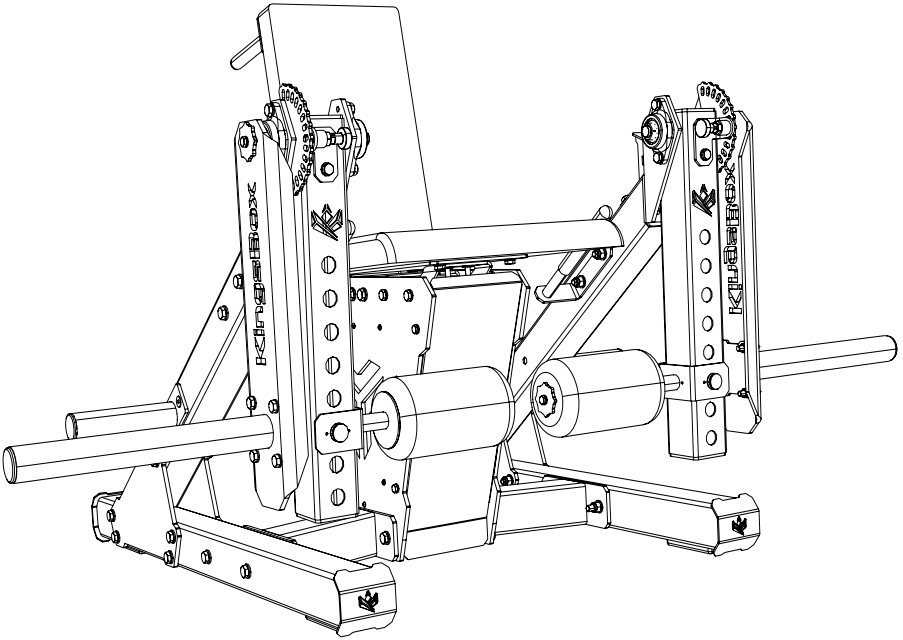
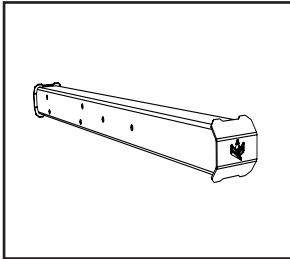


The Crazy Queen



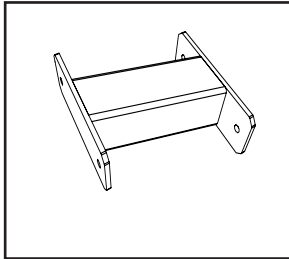
KingsBox[®]
BUILDING BETTER HUMANS

Assembly elements:



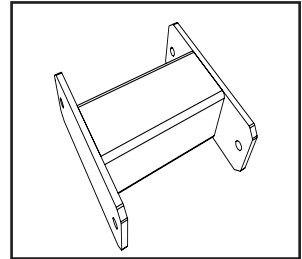
Position 1 | **2x**

TCQ_Horizontal Leg



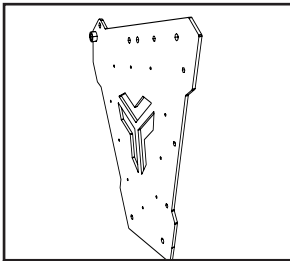
Position 2 | **2x**

TCQ_Angle Profile



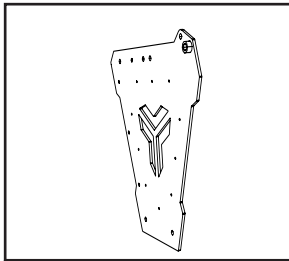
Position 3 | **1x**

Connecting Profile



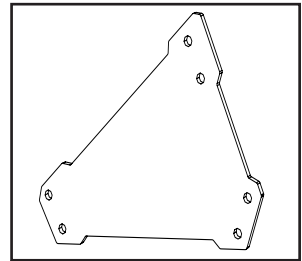
Position 4 | **1x**

TCQ_Frame Plate_L



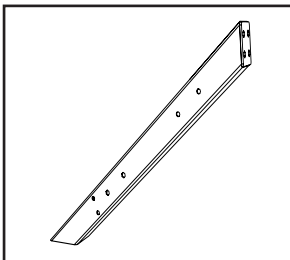
Position 5 | **1x**

TCQ_Frame Plate_D



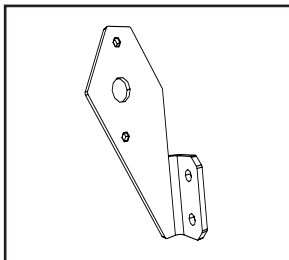
Position 6 | **4x**

TCQ_Carry Plate



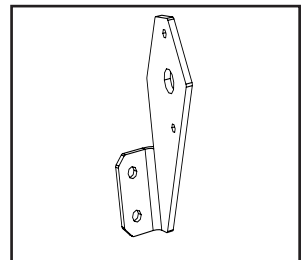
Position 7 | **2x**

TCQ_Diagonal Profile



Position 8 | **2x**

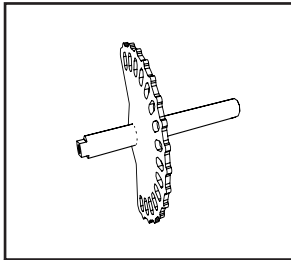
TCQ_Bearing
Plate_L



Position 9 | **2x**

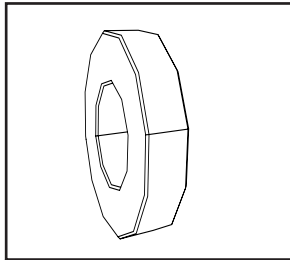
TCQ_Bearing
Plate_D

Assembly elements:



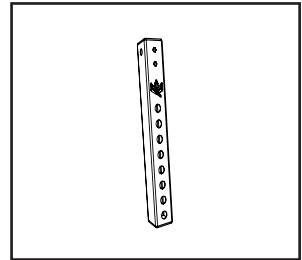
Position 10 | **2x**

**TCQ_Main Shaft
(Chrome)**



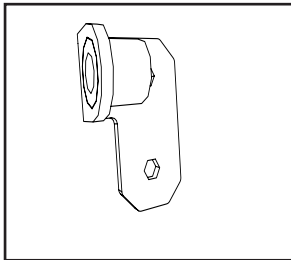
Position 11 | **2x**

**TCQ_Distance
Washer**



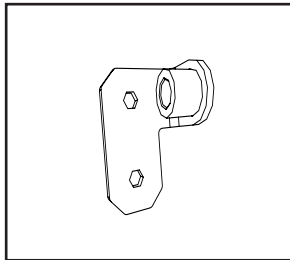
Position 12 | **2x**

TCQ_Adj. Arm



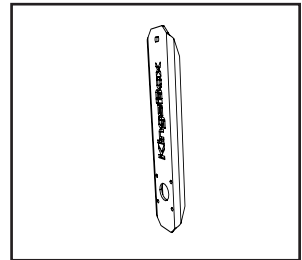
Position 13 | **1x**

TCQ_Pin Plate_L



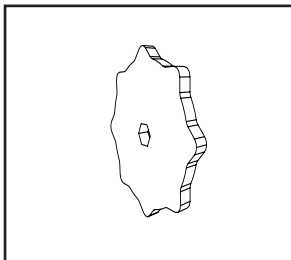
Position 14 | **1x**

TCQ_Pin Plate_D



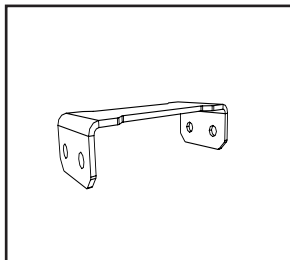
Position 15 | **2x**

TCQ_Bumper Arm



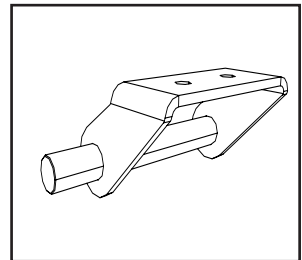
Position 16 | **4x**

TCQ_Side Washer



Position 17 | **1x**

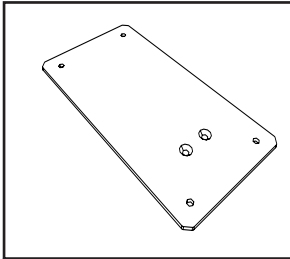
TCQ_position Plate



Position 18 | **1x**

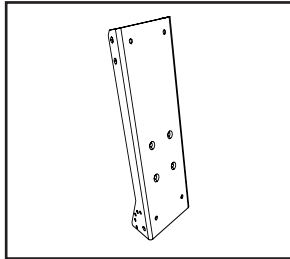
**TCQ_Seat
Plate_Hinge**

Assembly elements:



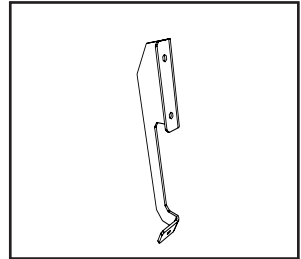
Position 19 | **1x**

TCQ_Seat Plate



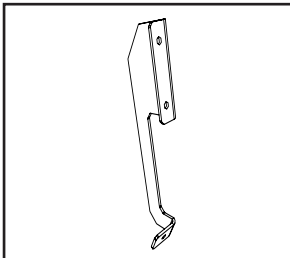
Position 20 | **1x**

TCQ_Back Rest Plate



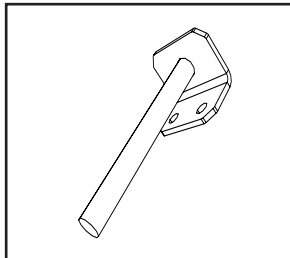
Position 21 | **1x**

TCQ_Incline Plate_D



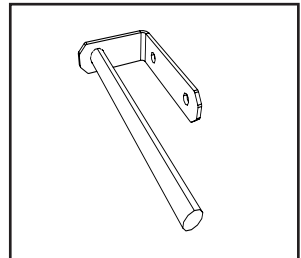
Position 22 | **1x**

TCQ_Incline Plate_L



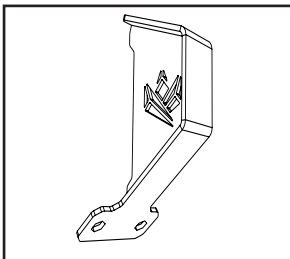
Position 23 | **2x**

TCQ_Handle_Back Support



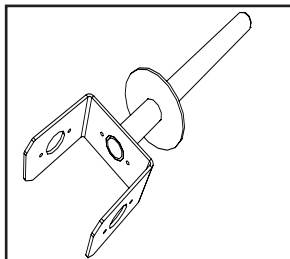
Position 24 | **2x**

TCQ_Handle_Side



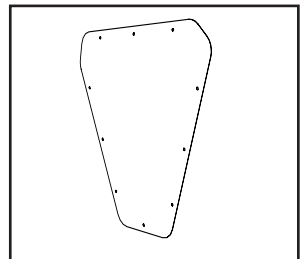
Position 25 | **2x**

TCQ_Stopper Plate



Position 26 | **2x**

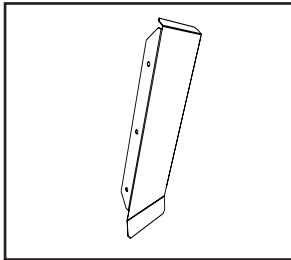
TCQ_Leg Pillow Holder



Position 27 | **2x**

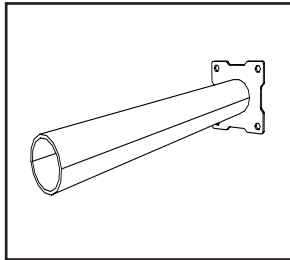
TCQ_Pattern Plate

Assembly elements:



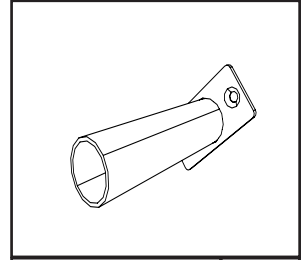
Position 28 | **1x**

TCQ_Pattern Plate_
Front



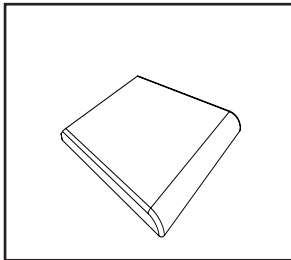
Position 29 | **2x**

HybridBar
Detachable Sleeve



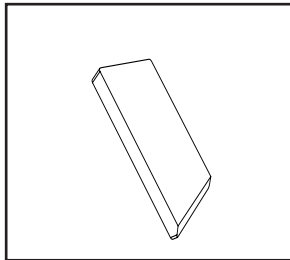
Position 30 | **2x**

Reverse Hyper
Bumper Stacker



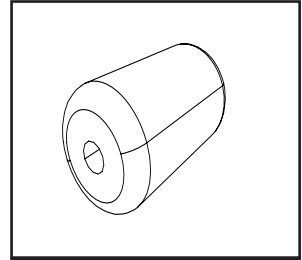
Position 31 | **1x**

TCQ_Seat Pillow



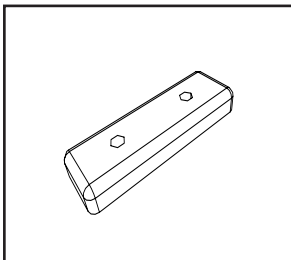
Position 32 | **1x**

TCQ_Back Pillow



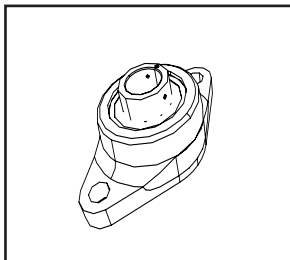
Position 33 | **2x**

GHD Leg Pillow_
SIVA BARVA



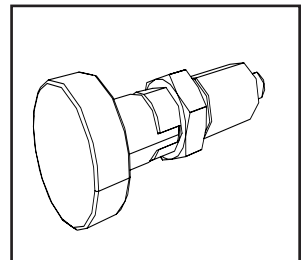
Position A | **7x**

Gumirana Podlaga
125x40x15



Position B | **6x**

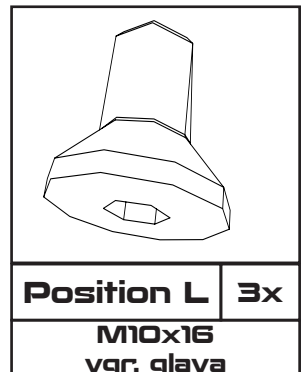
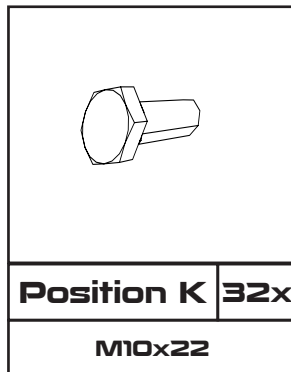
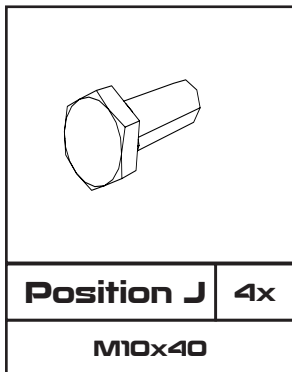
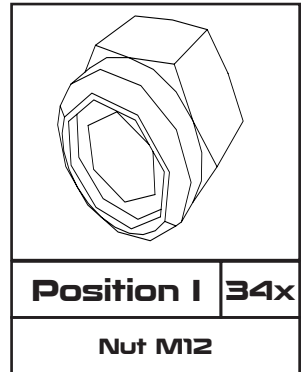
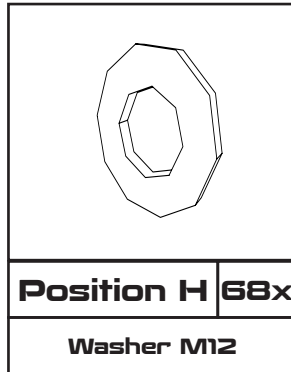
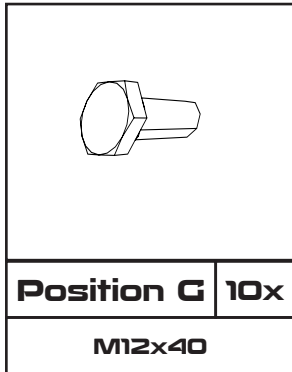
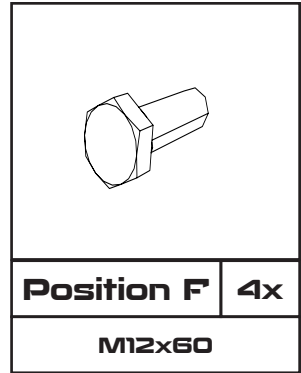
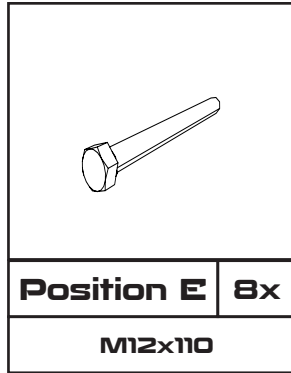
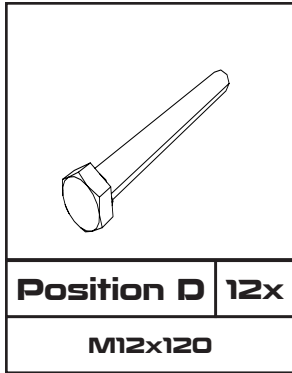
pcjty20



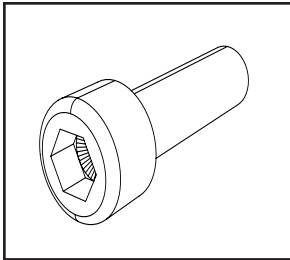
Position C | **3x**

Index Plunger
M16x1.5

Assembly elements:

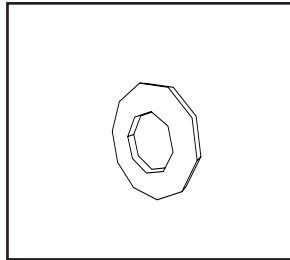


Assembly elements:



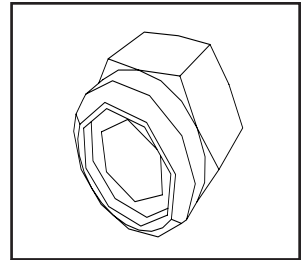
Position M | 14x

imbus M10x35



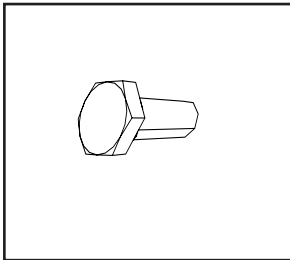
Position N | 86x

Washer M10



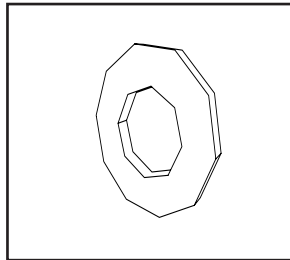
Position O | 20x

Nut M10



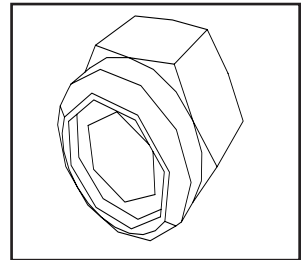
Position P | 10x

M8x30



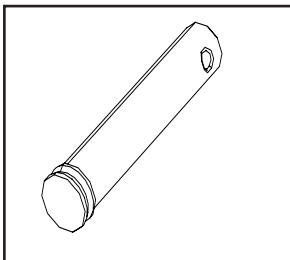
Position R | 16x

Washer M8



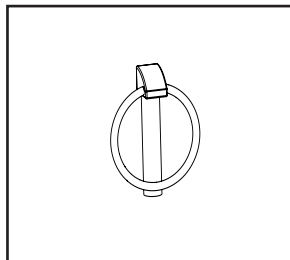
Position S | 6x

Nut M8



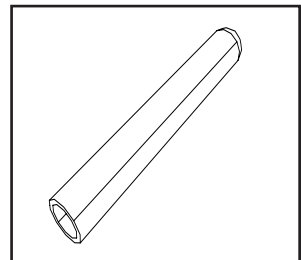
Position T | 2x

Pin Bolt fi25



Position U | 2x


**Varovalka rumen
krom**



Position V | 3x

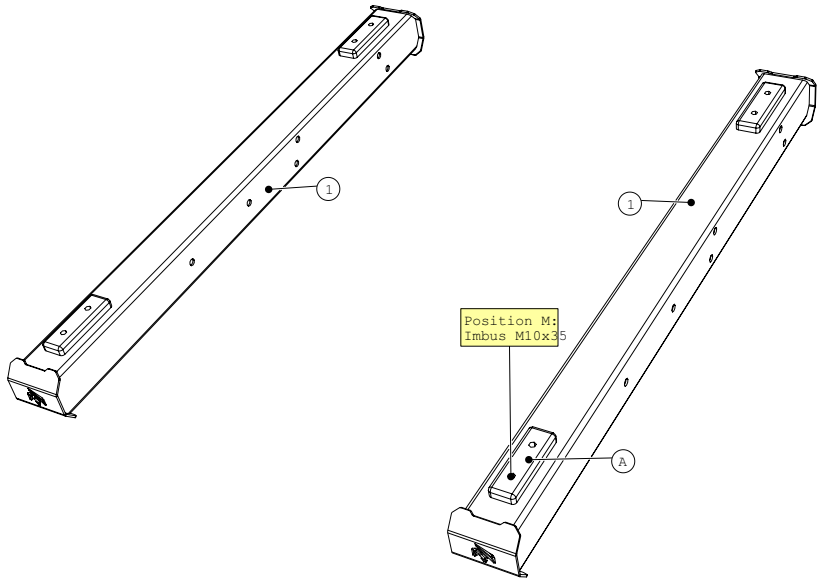
**Rubber Handle
fi20**

Assembly elements:

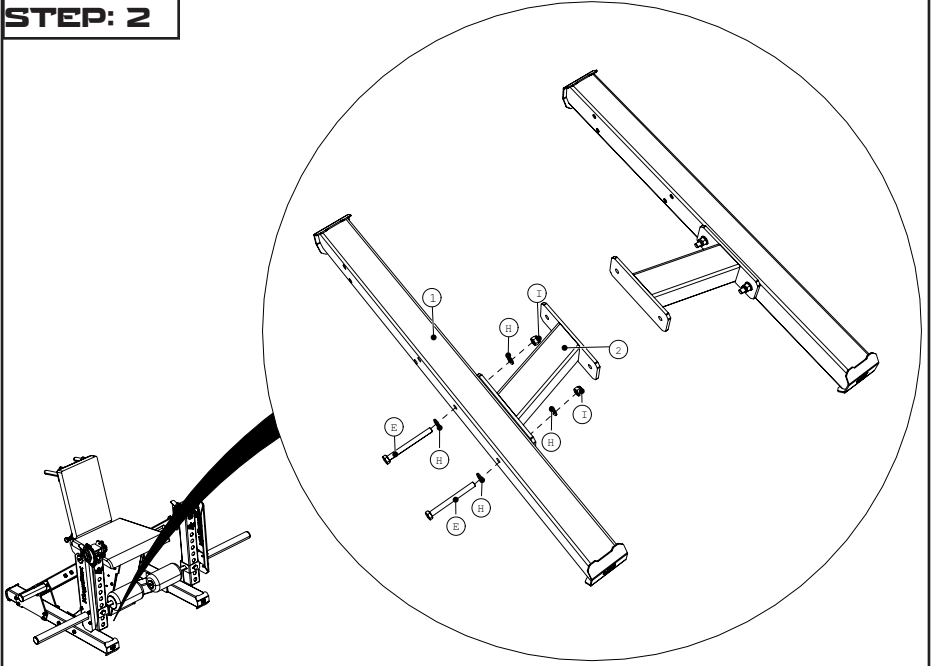
	
	W
Position W	1x
TCQ_Block Wire	

Assembly instruction:

STEP: 1

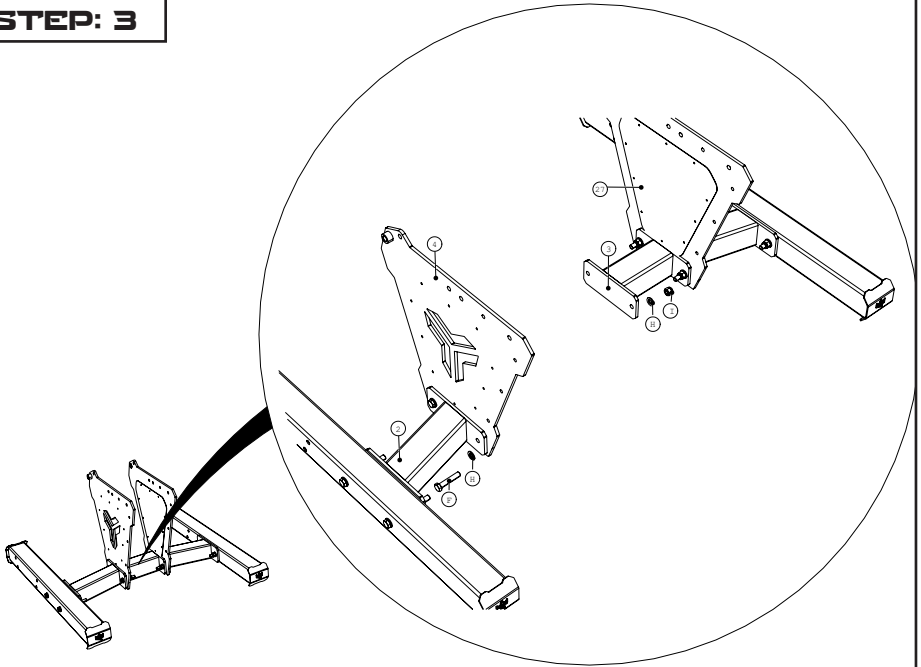


STEP: 2

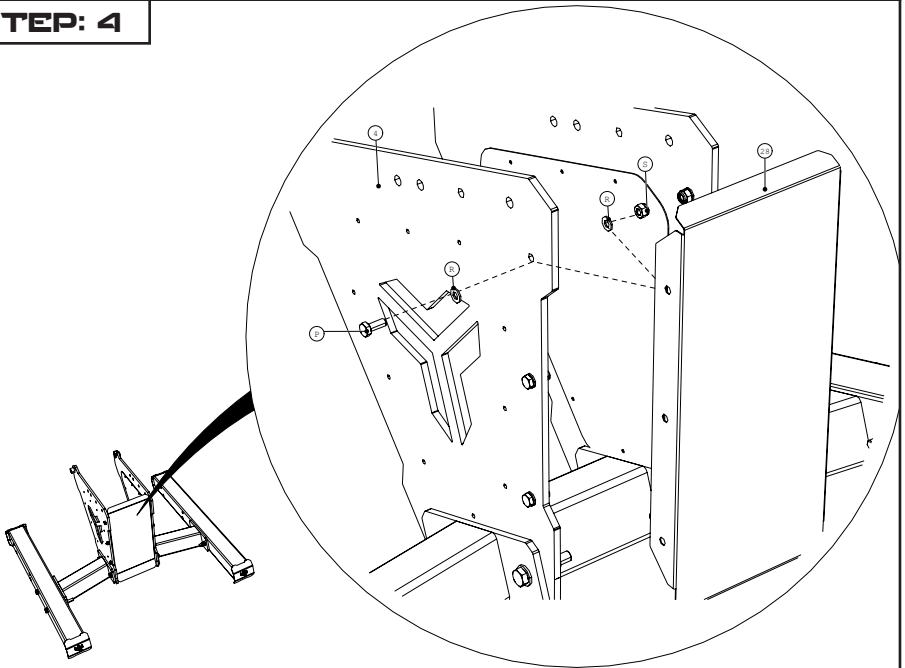


Assembly instruction:

STEP: 3

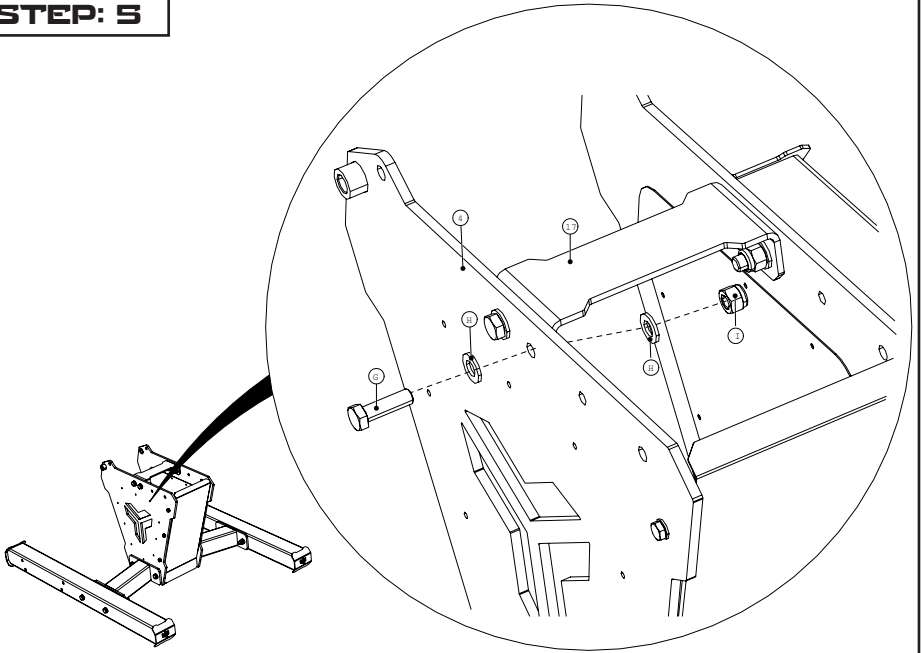


STEP: 4

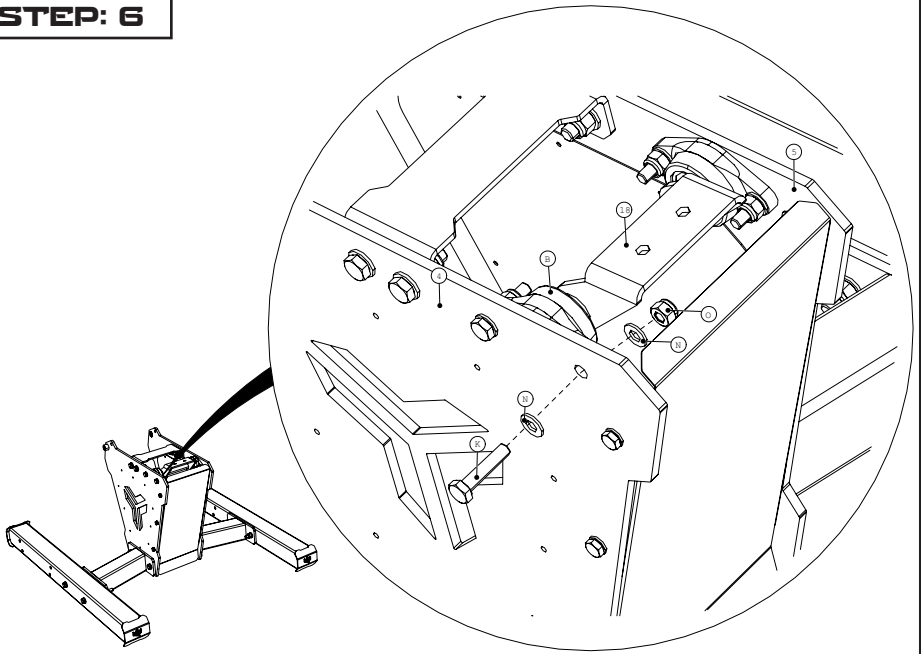


Assembly instruction:

STEP: 5

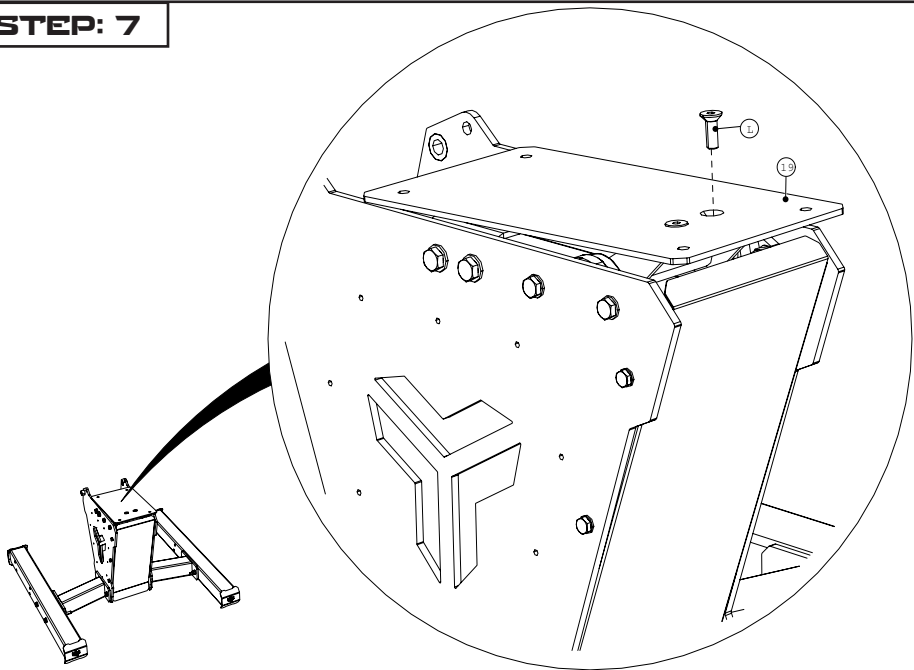


STEP: 6

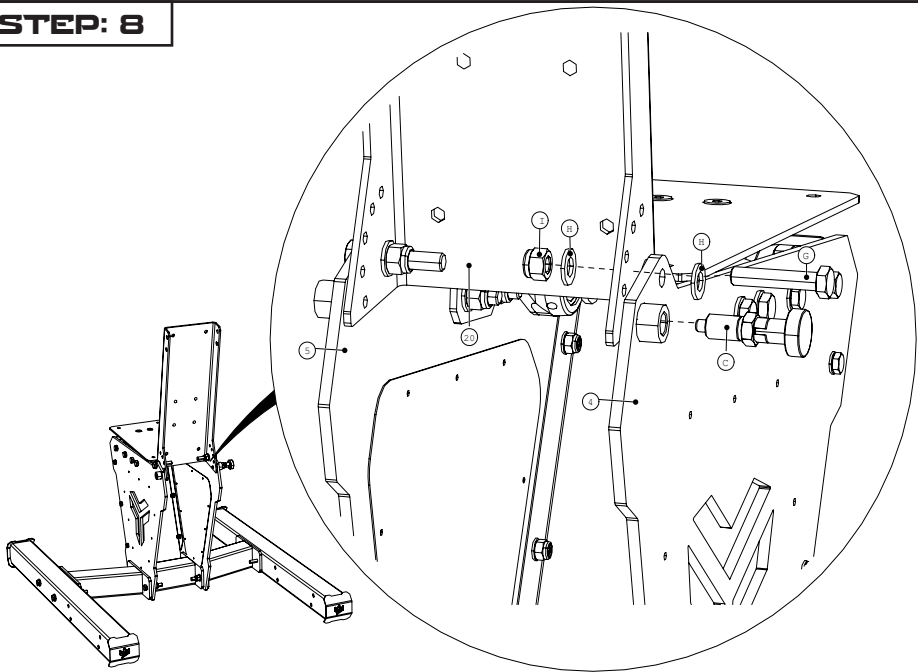


Assembly instruction:

STEP: 7

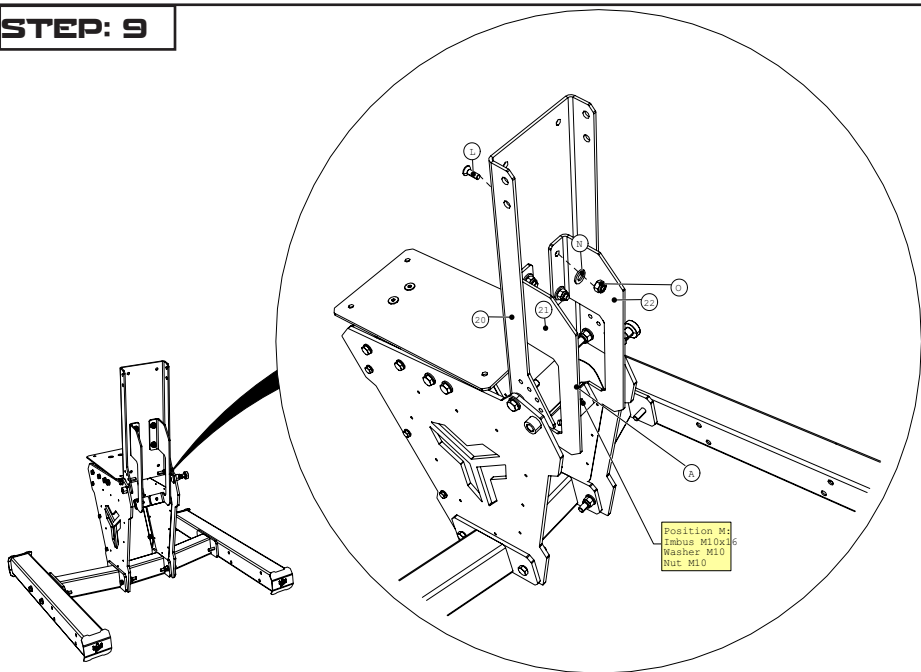


STEP: 8

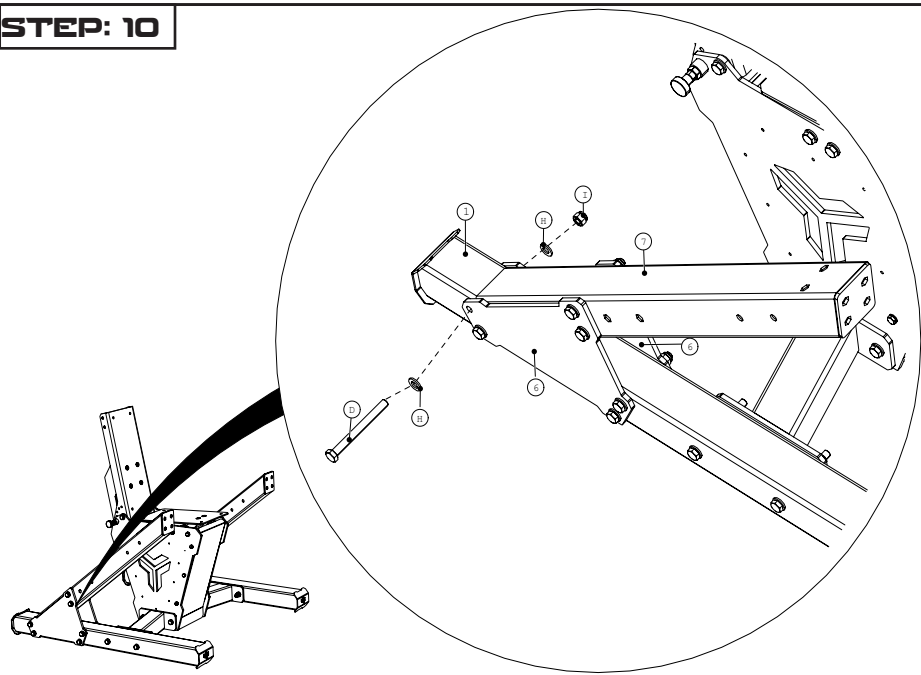


Assembly instruction:

STEP: 9

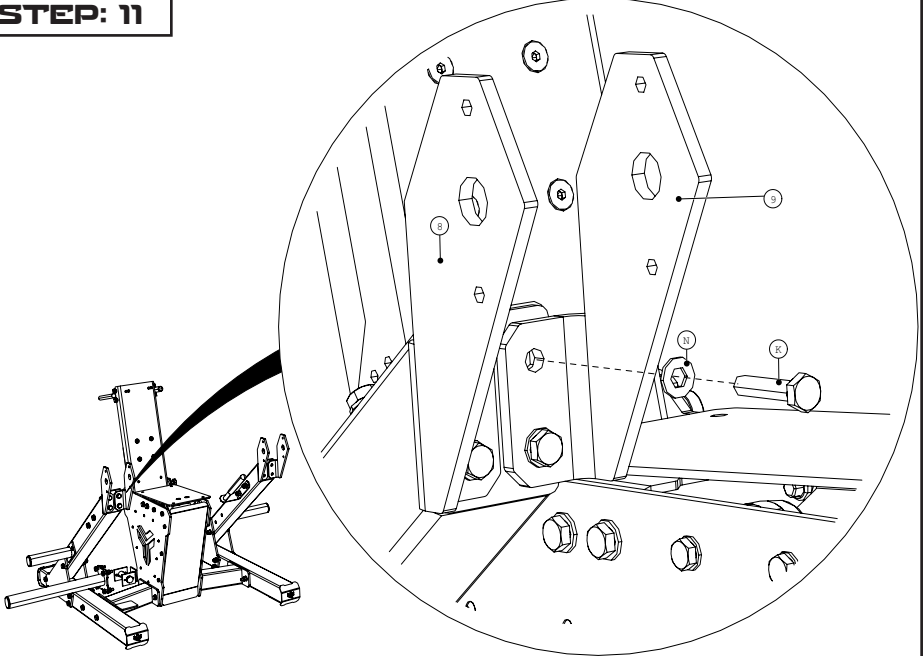


STEP: 10

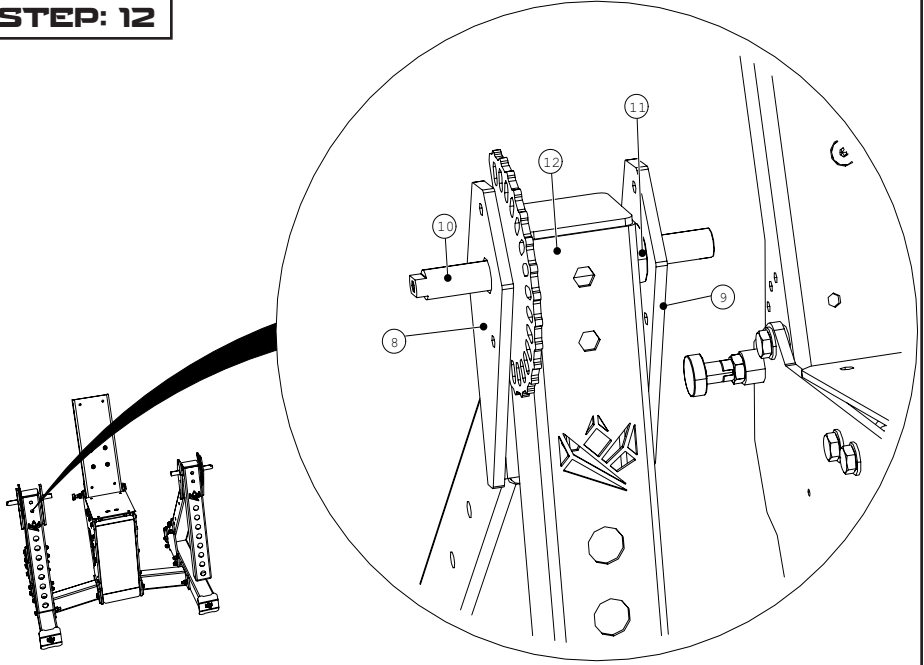


Assembly instruction:

STEP: 11

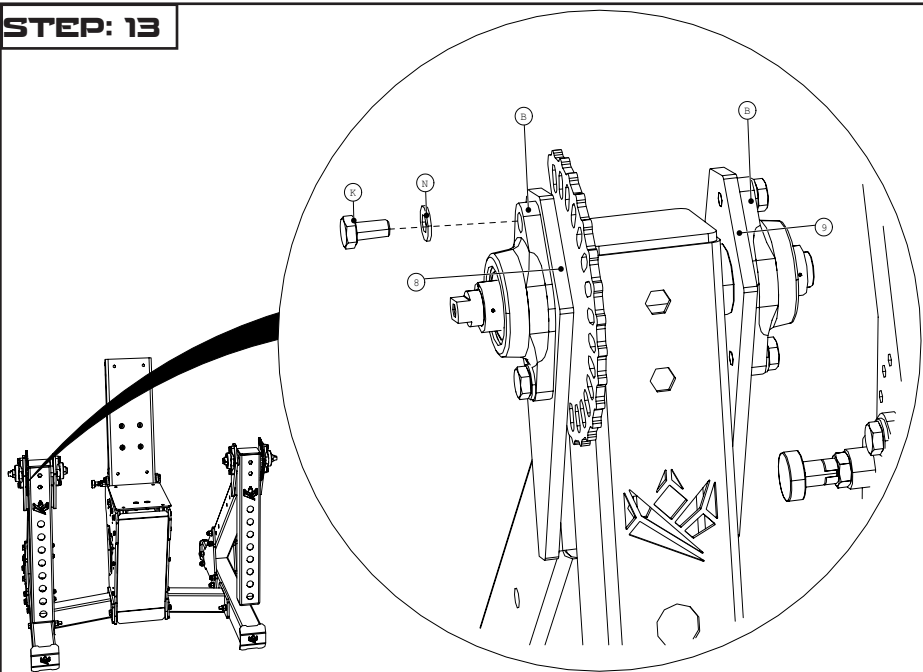


STEP: 12

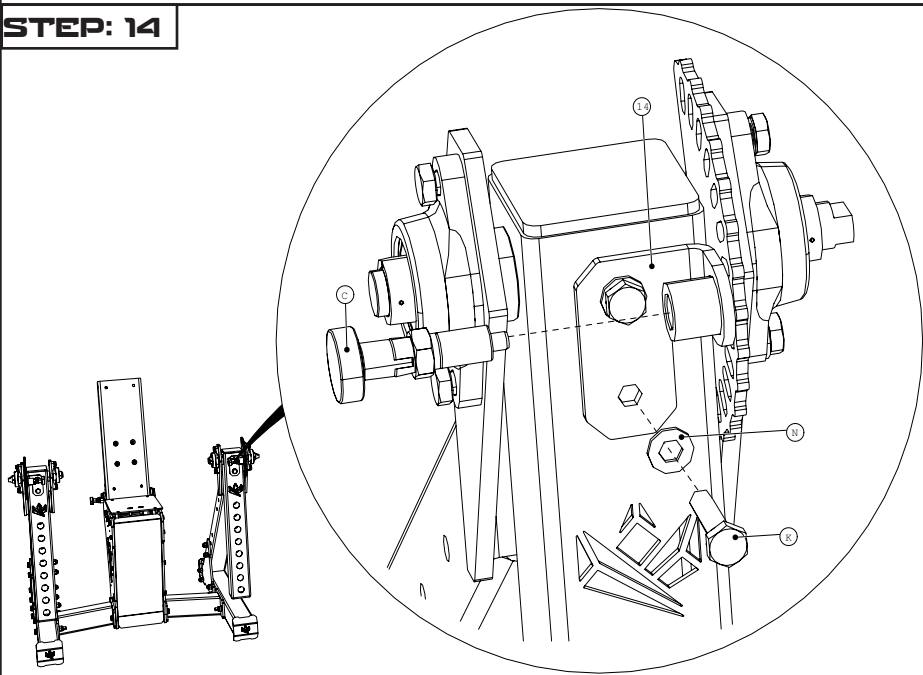


Assembly instruction:

STEP: 13

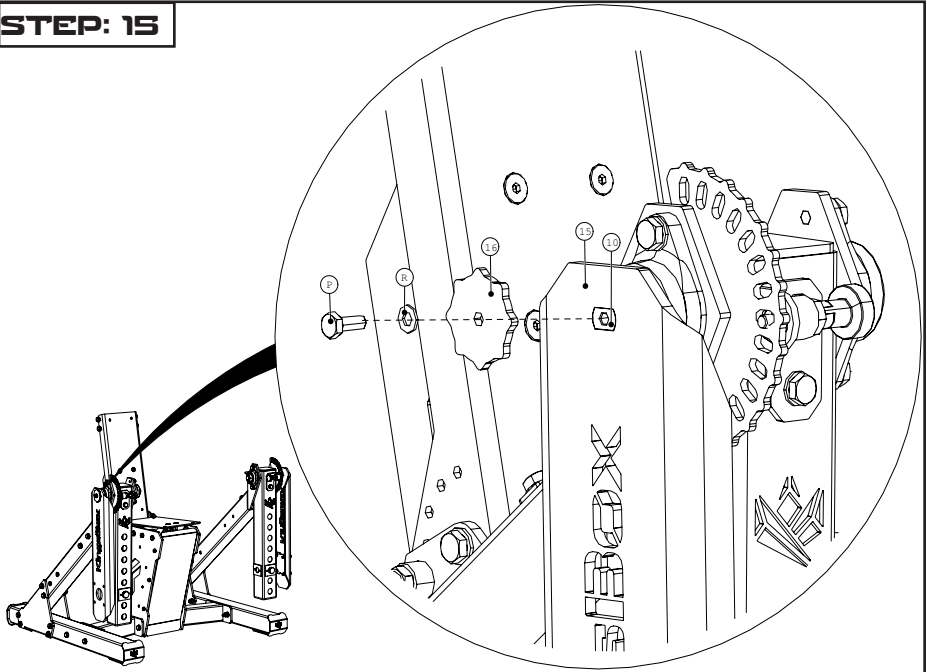


STEP: 14

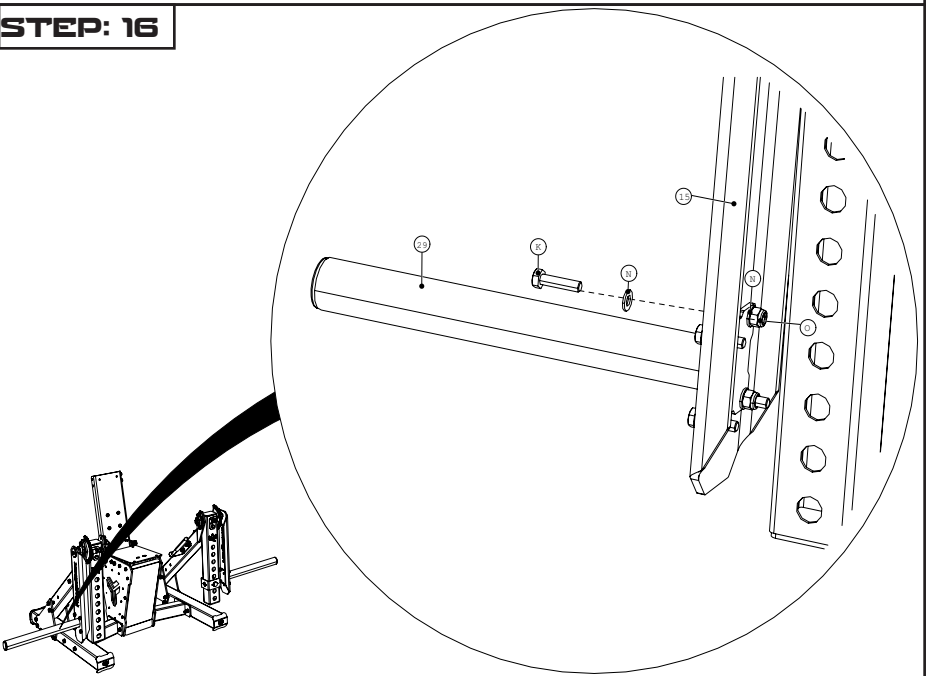


Assembly instruction:

STEP: 15

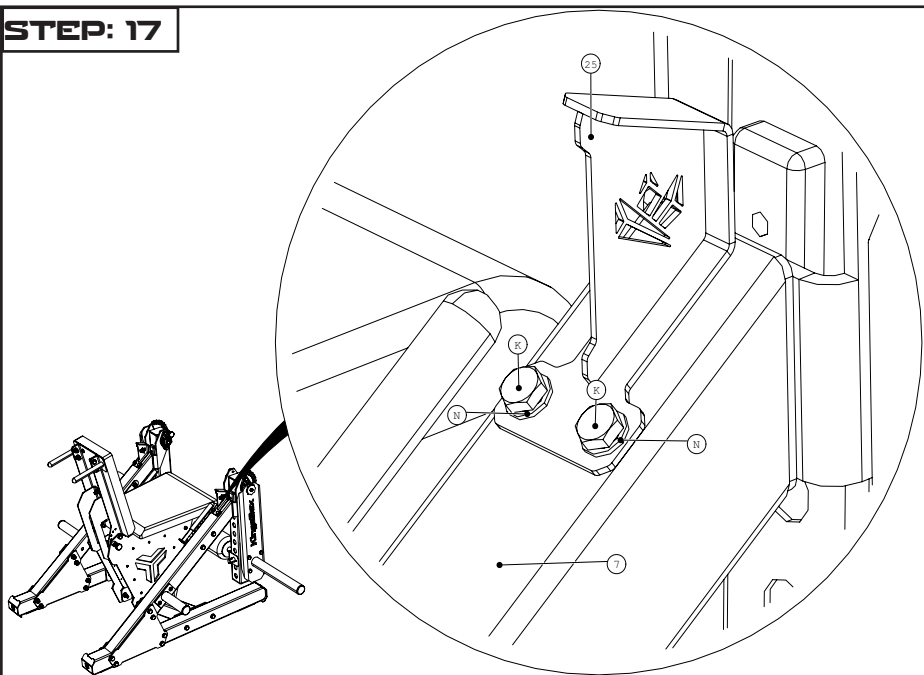


STEP: 16

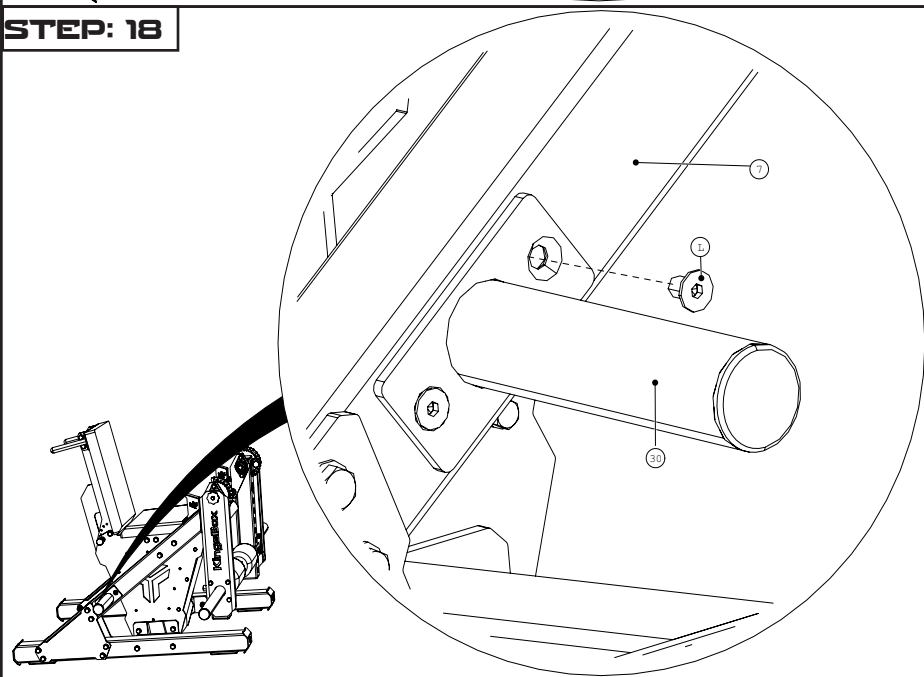


Assembly instruction:

STEP: 17

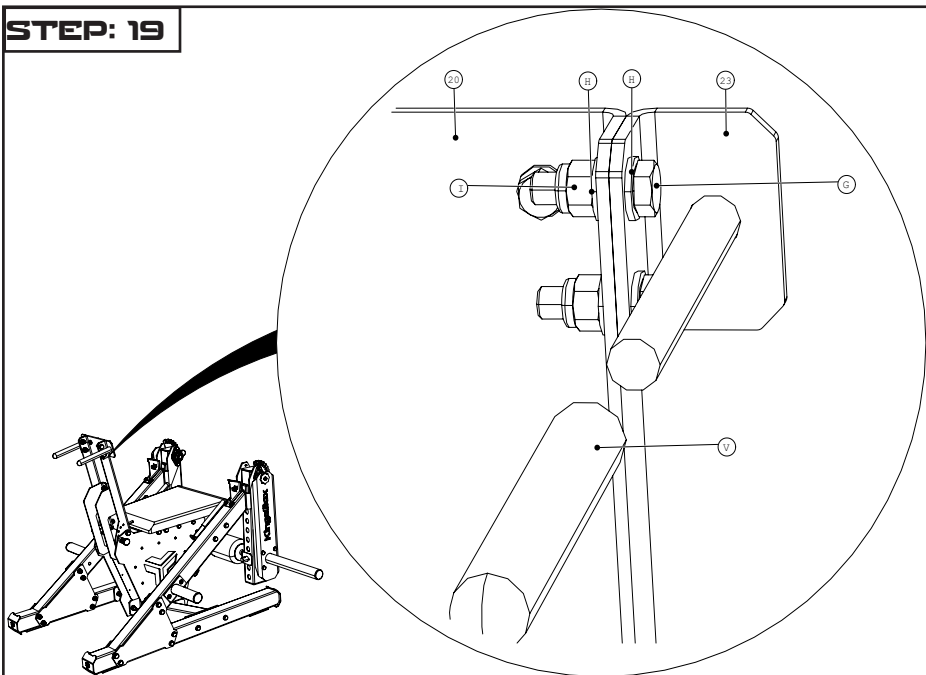


STEP: 18

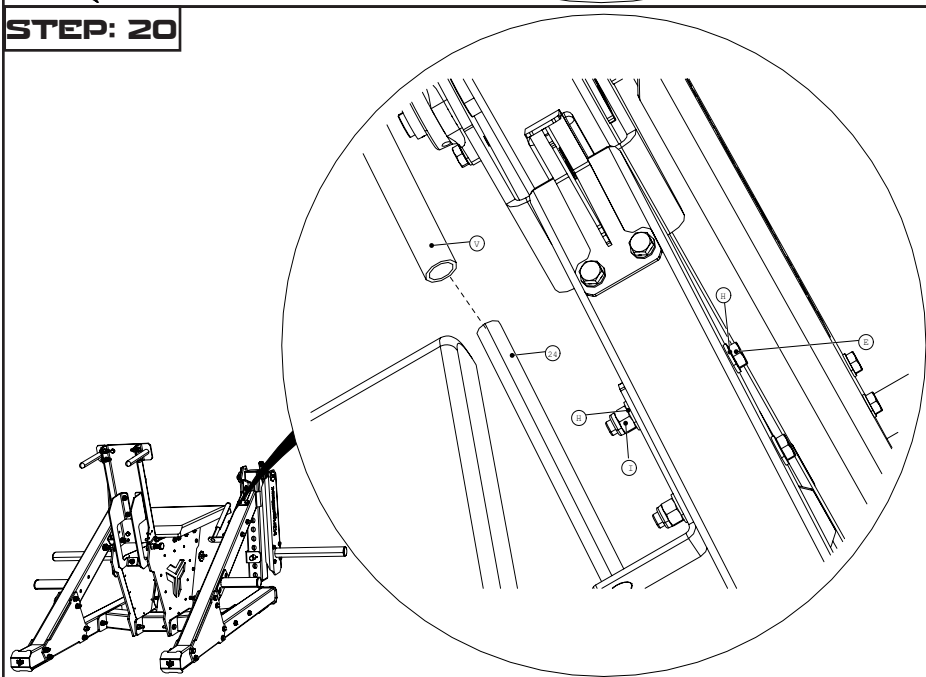


Assembly instruction:

STEP: 19

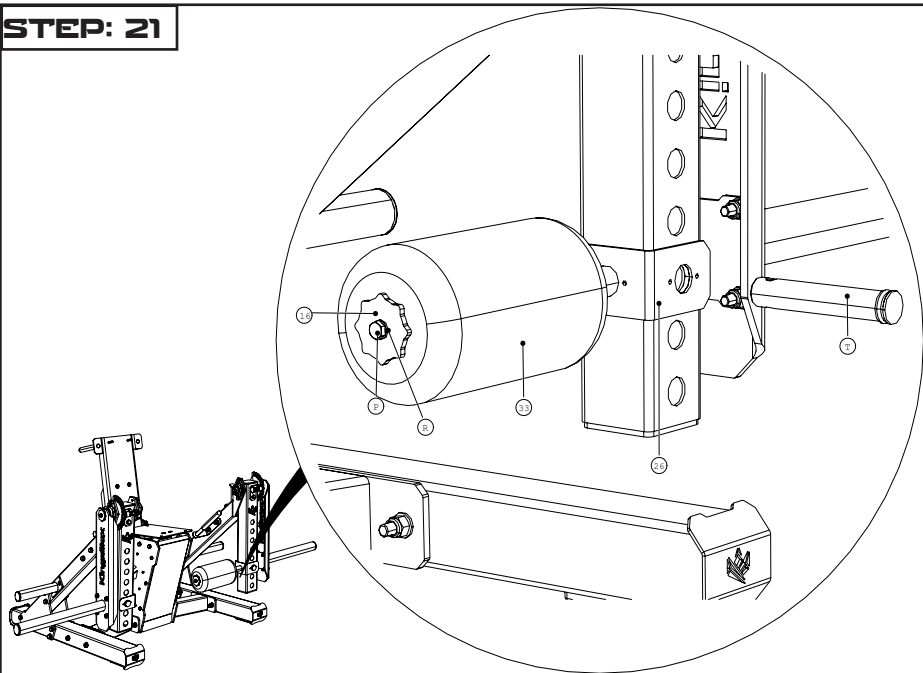


STEP: 20

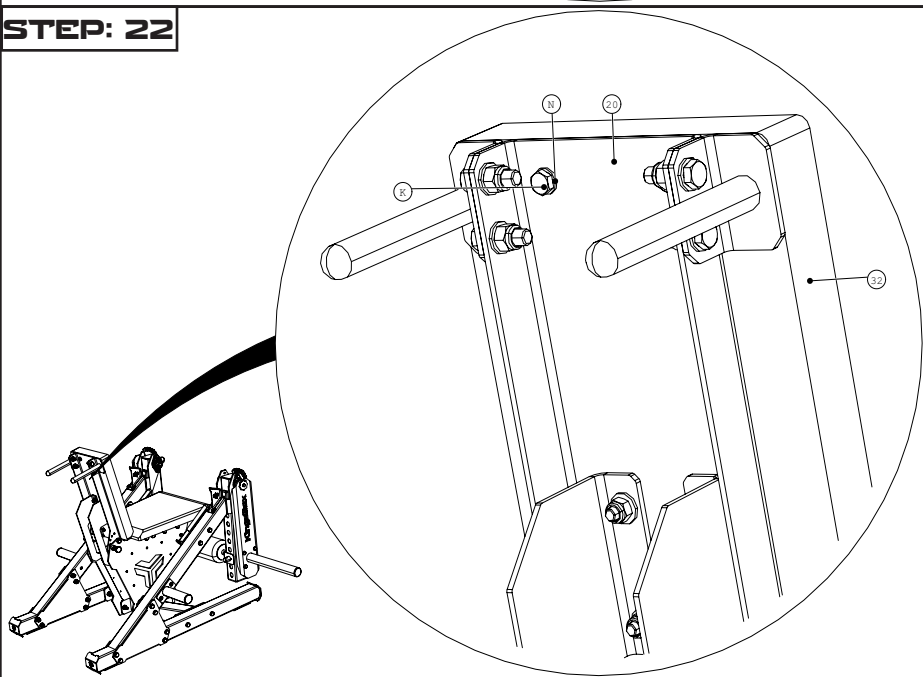


Assembly instruction:

STEP: 21

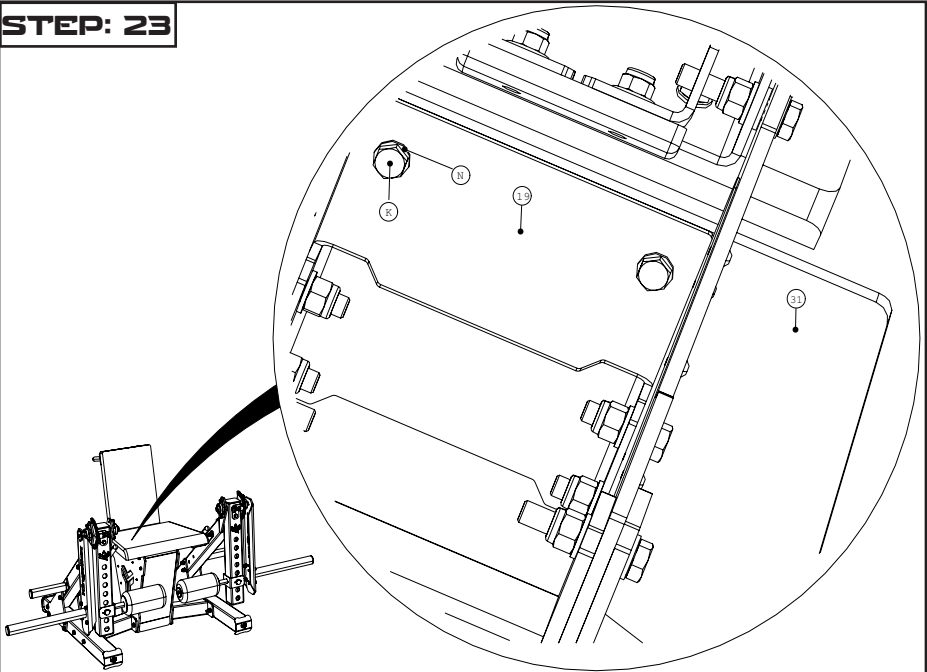


STEP: 22



Assembly instruction:

STEP: 23



STEP: 24

