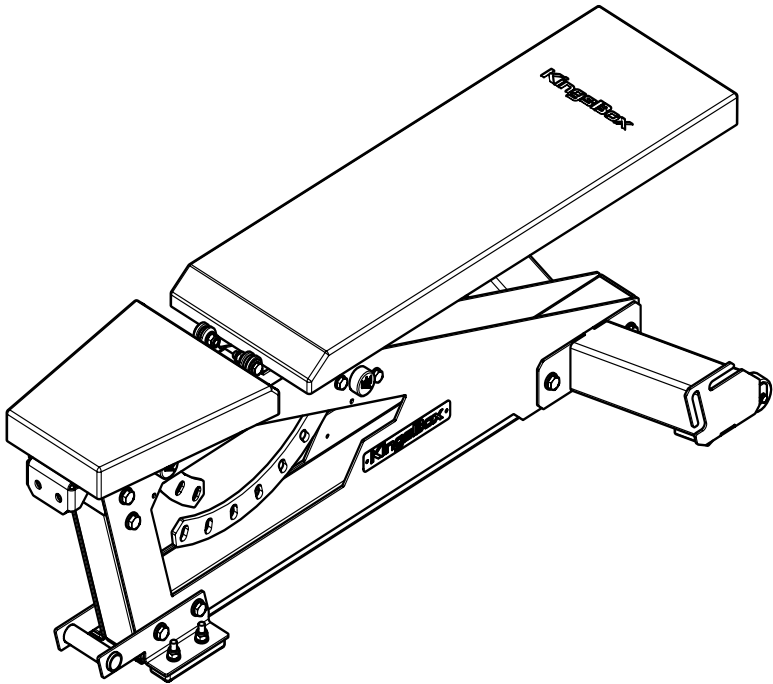


The Mad Throne Adj. Bench



KingsBox[®]
BUILDING BETTER HUMANS

ATTENZIONE!

Se la struttura non viene fissata a terra e/o al muro, può rib-altarsi e/o provocare danni a persone o oggetti in immediata vicinanza.

I bulloni per il fissaggio del rig a muro e/o al pavimento non sono inclusi nel pacco, in quanto per diversi tipi di muro e pavimentazione bisogna utilizzare diversi tipi di bulloni d'ancoraggio.

OPOZORILO!

Če se struktura prevrne, lahko pride do resnih telesnih poškodb. Da bi preprečili nevarnost, da se ta struktura prevrne, mora biti pritrjena na steno in / ali v tla.

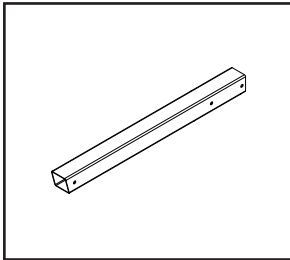
Vijaki za pritrjevanje strukture na steno oz. tla niso priloženi, saj različne sestave zidov oz. tal zahtevajo različne vrste pritrdilnih elementov. Uporabite take, ki ustrezajo sestavi vaše stene oz. tal.

WARNING!

If the structure is not secured to the ground and / or to the wall, it may overturn and / or cause damage to person or object in the immediate vicinity.

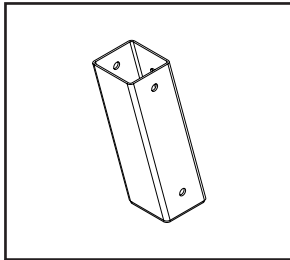
The fixing bolts for wall and / or floor are not included in the pack-age, since different types of anchor bolts must be used for different wall / floor types.

Assembly elements:



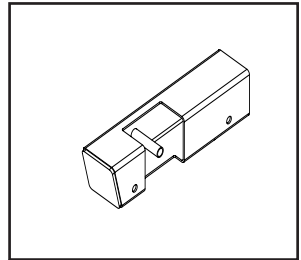
Position 1

**Bench Profile
Bottom**



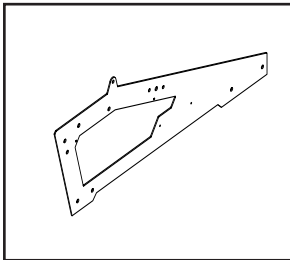
Position 2

Bench Front Leg



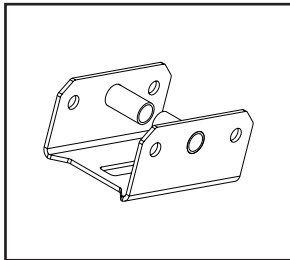
Position 3

Bench Profile Up



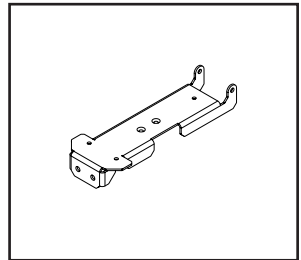
Position 4

Bench Plate_L



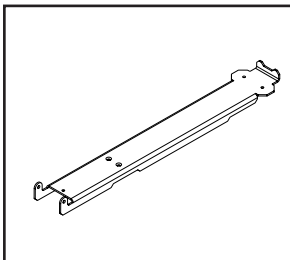
Position 5

Guide Plate



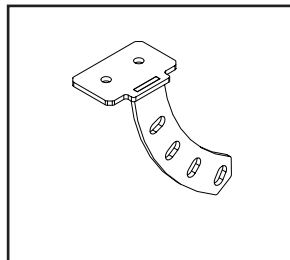
Position 6

Seat Frame



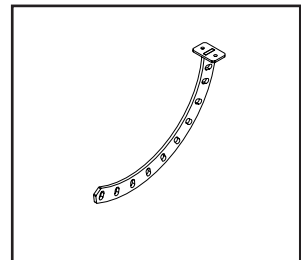
Position 7

Back Frame



Position 8

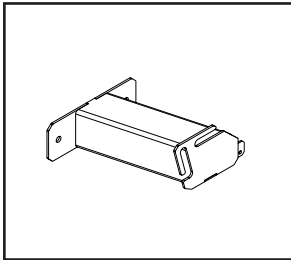
Adj. Arc_Small



Position 9

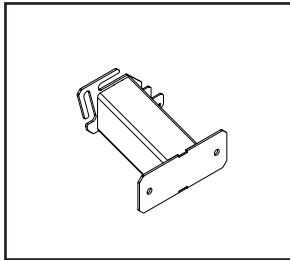
Adj. Arc

Assembly elements:



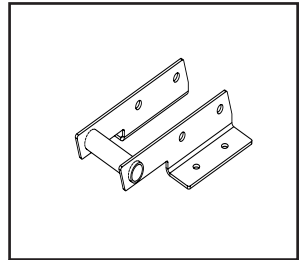
Position 10

Back Leg_L



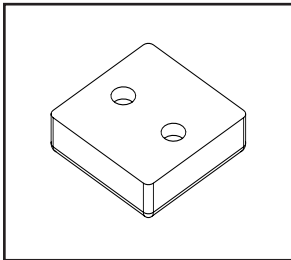
Position 11

Bench Back Leg



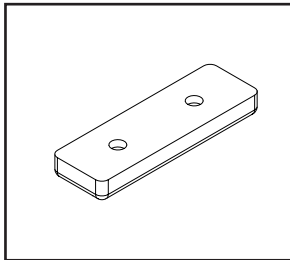
Position 12

**Bench Handle
Front**



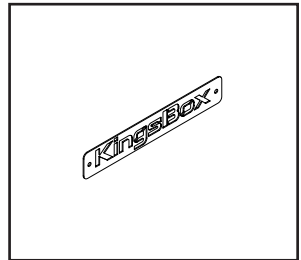
Position 13

**Rubber Pad
60x60x15**



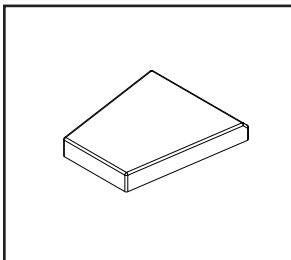
Position 14

**Rubberized Mat
125x40x15**



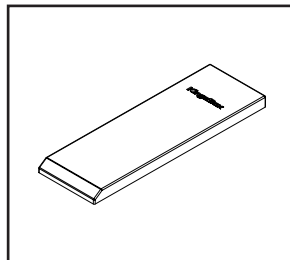
Position 15

Ped 40mm



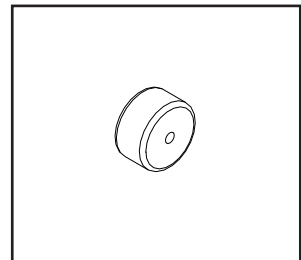
Position 16

Adj. Back Pillow II.



Position 17

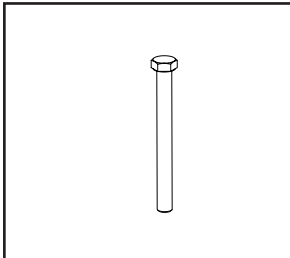
Adj. Front Pillow II.



Position 18

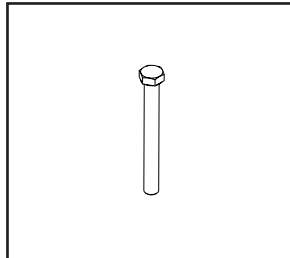
Wheel 50mm

Assembly elements:



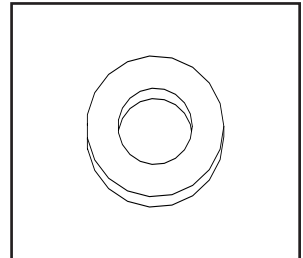
Position 19

M12x120



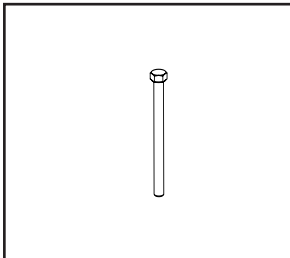
Position 20

M12x110



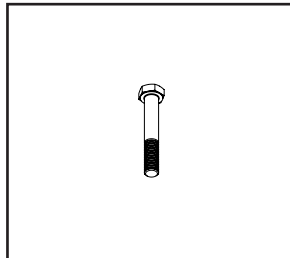
Position 21

M12 Washer



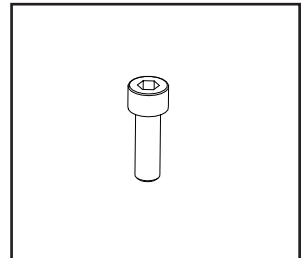
Position 22

M10x110



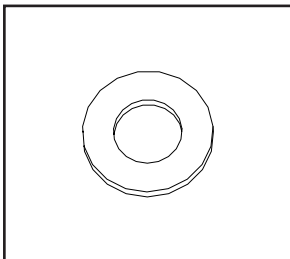
Position 23

M10x40



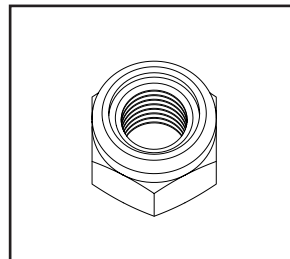
Position 24

M10x35 imbus



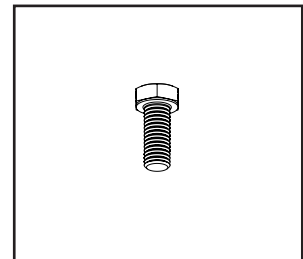
Position 25

M10 washer



Position 26

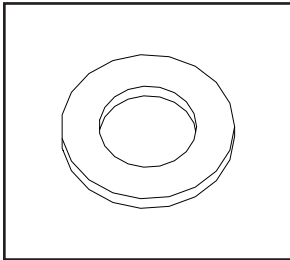
M10 nut



Position 27

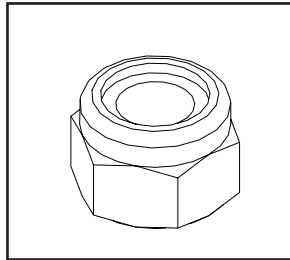
M8x20

Assembly elements:



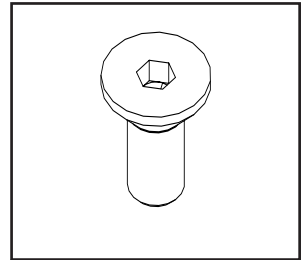
Position 28

M8 washer



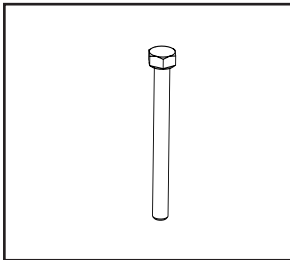
Position 29

M8 nut



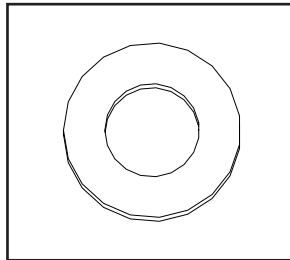
Position 30

**M8x25
Flat head**



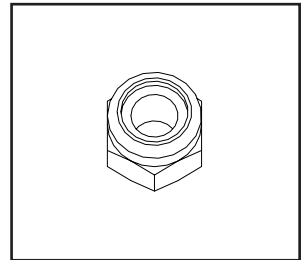
Position 31

M6x50



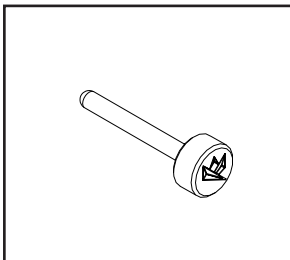
Position 32

M6 washer



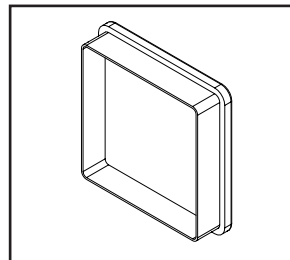
Position 33

M6 nut



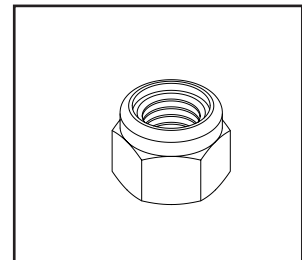
Position 34

Pin bolt f12



Position 35

Plug 80x80

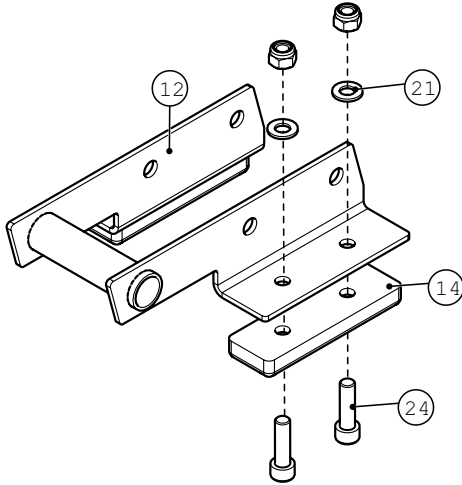


Position 36

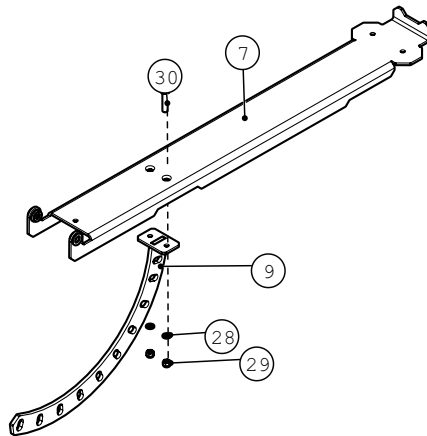
Nut M12

Assembly instruction:

STEP: 1

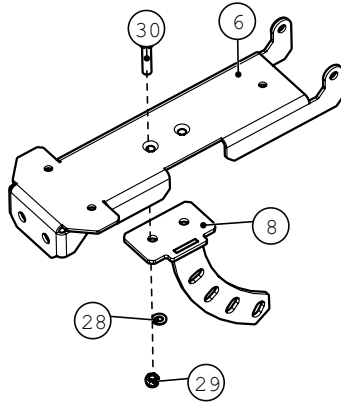


STEP: 2

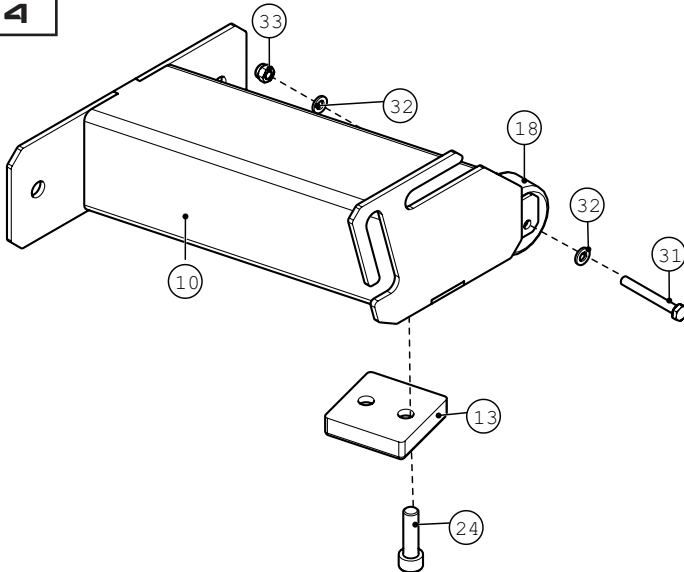


Assembly instruction:

STEP: 3

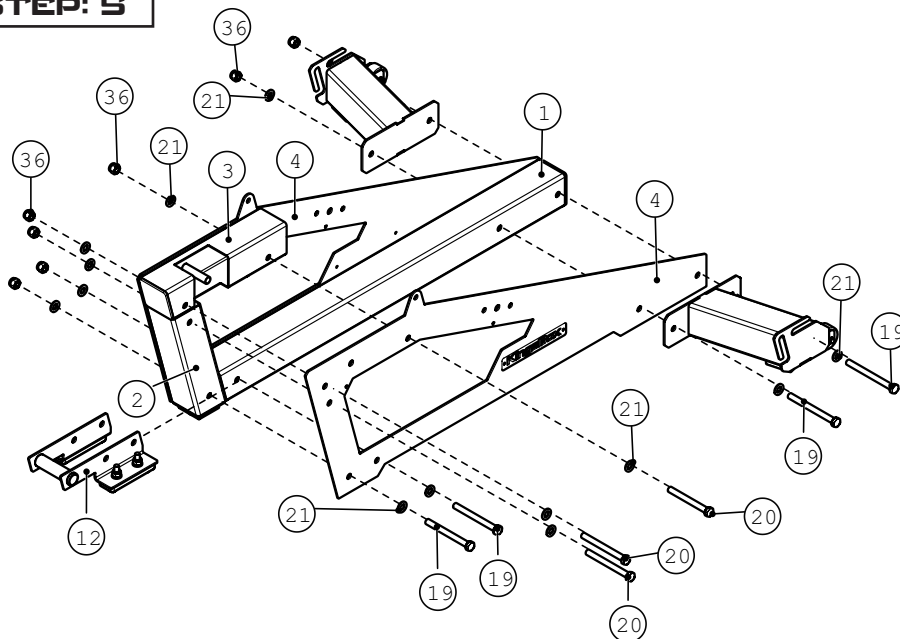


STEP: 4

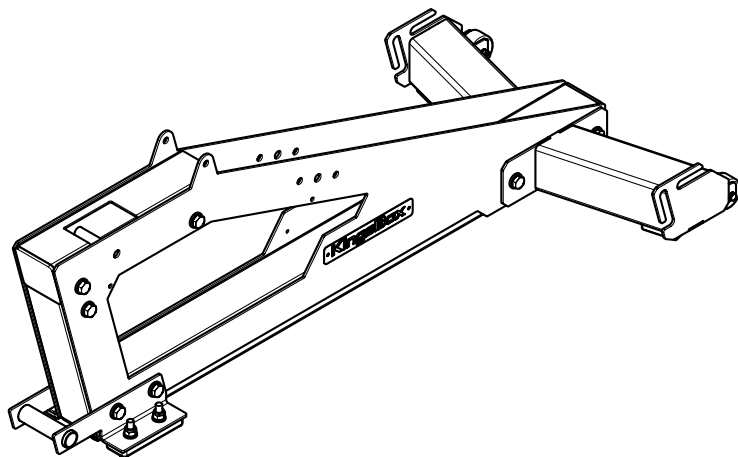


Assembly instruction:

STEP: 5

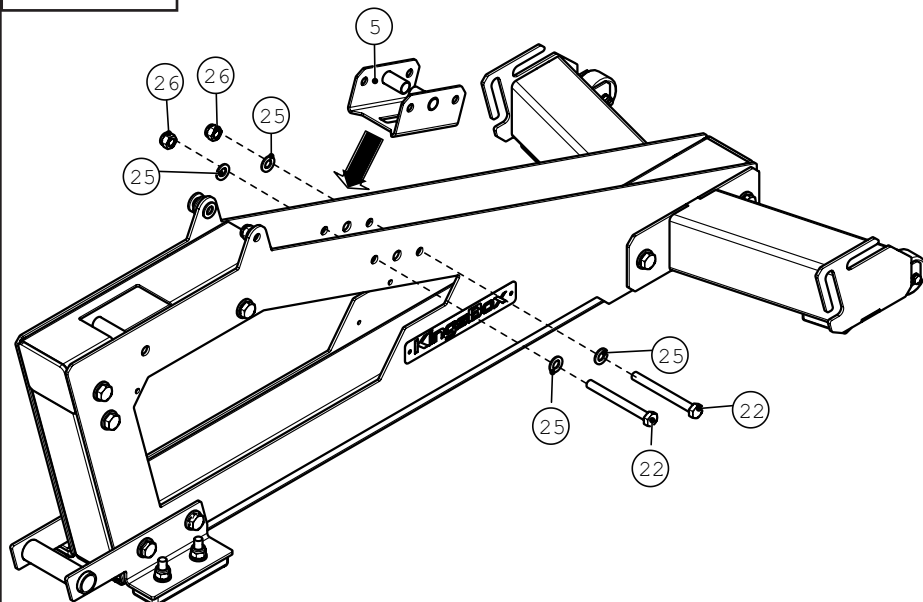


STEP: 5

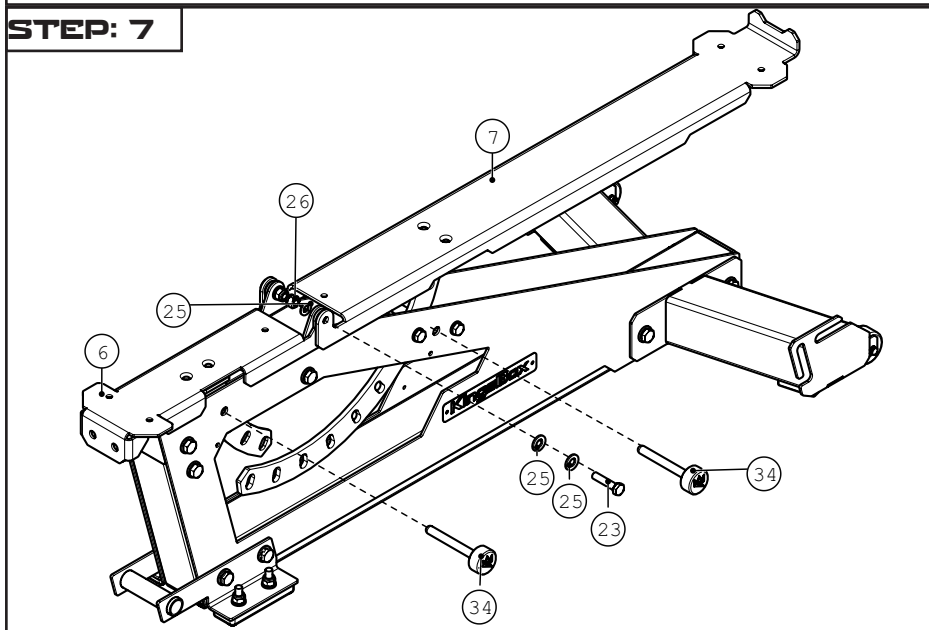


Assembly instruction:

STEP: 6

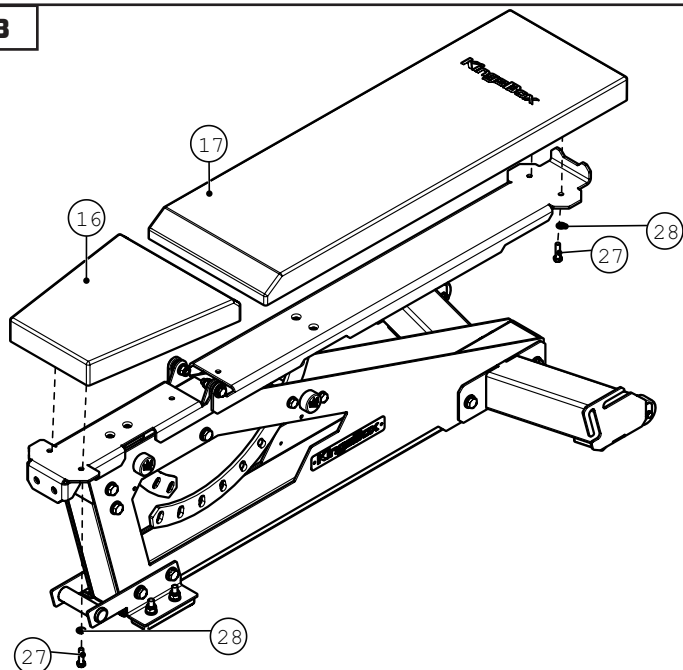


STEP: 7



Assembly instruction:

STEP: 8



STEP: 9

