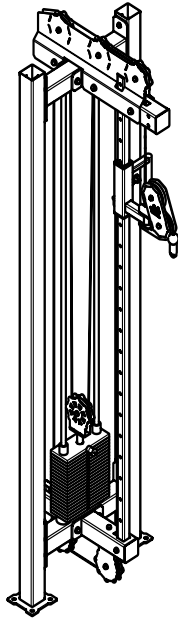


Bridge Tower (Adjustable Pulley)



KingsBox®
BUILDING BETTER HUMANS

ATTENZIONE!

Se la struttura non viene fissata a terra e/o al muro, può rib-altarsi e/o provocare danni a persone o oggetti in immediata vicinanza.

I bulloni per il fissaggio del rig a muro e/o al pavimento non sono inclusi nel pacco, in quanto per diversi tipi di muro e pavimentazione bisogna utilizzare diversi tipi di bulloni d'ancoraggio.

OPOZORILO!

Če se struktura prevrne, lahko pride do resnih telesnih poškodb. Da bi preprečili nevarnost, da se ta struktura prevrne, mora biti pritrjena na steno in / ali v tla.

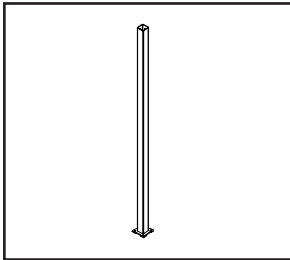
Vijaki za pritrjevanje strukture na steno oz. tla niso priloženi, saj različne sestave zidov oz. tal zahtevajo različne vrste pritrdilnih elementov. Uporabite take, ki ustrezajo sestavi vaše stene oz. tal.

WARNING!

If the structure is not secured to the ground and / or to the wall, it may overturn and / or cause damage to person or object in the immediate vicinity.

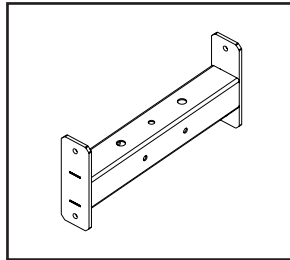
The fixing bolts for wall and / or floor are not included in the pack-age, since different types of anchor bolts must be used for different wall / floor types.

Assembly elements:



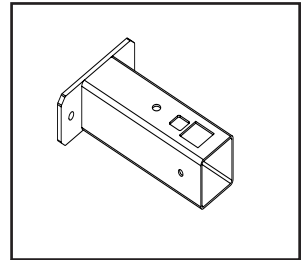
Position 1

**Pulley Tower
Upright**



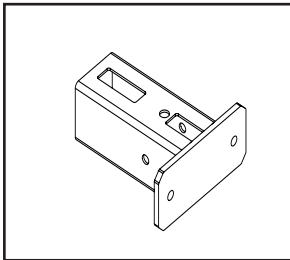
Position 2

**PT_connecting
profile_bottom**



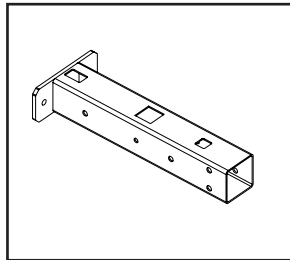
Position 3

**PT_Adj. profile
bottom**



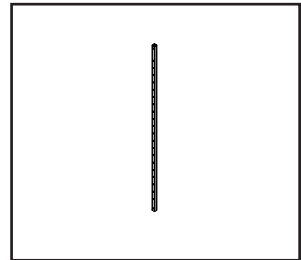
Position 4

PT_Universal profile



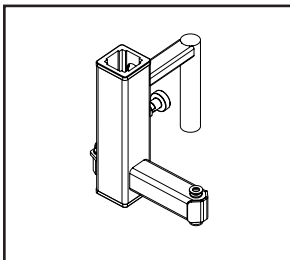
Position 5

PT_Adj. profile up



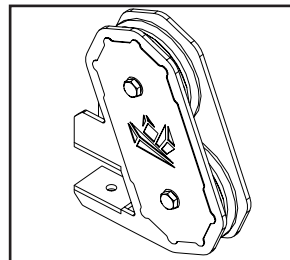
Position 6

**CCO Height Adj.
Column**



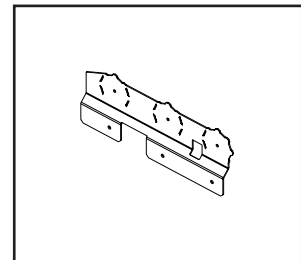
Position 7

**CCO Height Adj.
Trolley**



Position 8

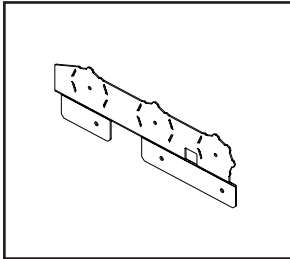
CCO Pulley Cart



Position 9

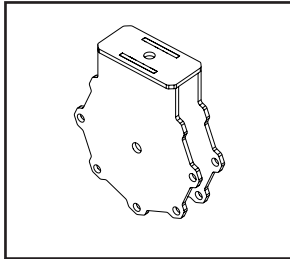
**PT_Adj. Pulley
Plate_L**

Assembly elements:



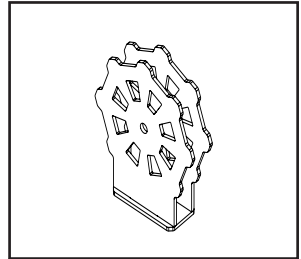
Position 10

**PT_Adj. Pulley
Plate_D**



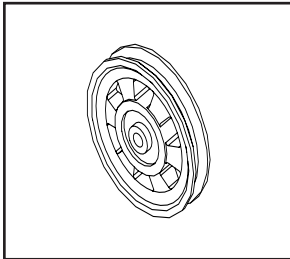
Position 11

**PT_Single Pulley
Holder**



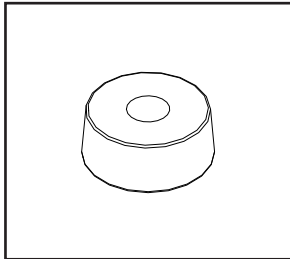
Position 12

**PT_Stack Pulley
Holder**



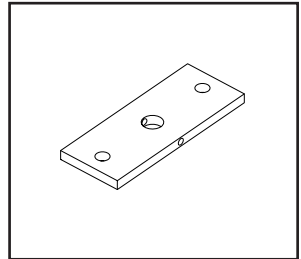
Position 13

Belt Pulley f114



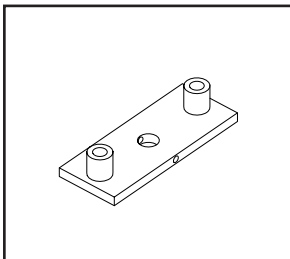
Position 14

WS_Rubber Cushion



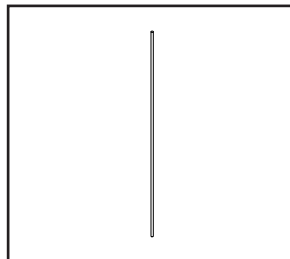
Position 15

WS-50 Weight Stack



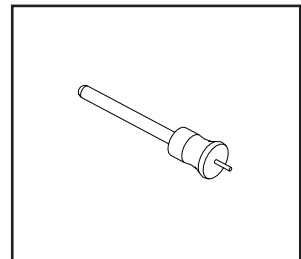
Position 16

WS-50_Top Plate



Position 17

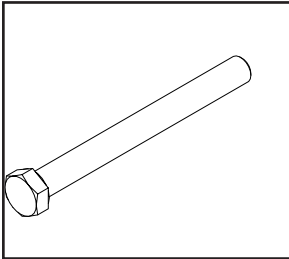
WS_Guide Rod



Position 18

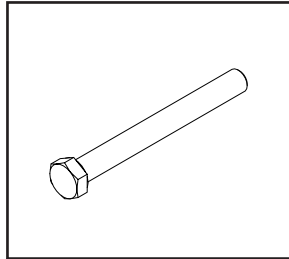
WS_Pin

Assembly elements:



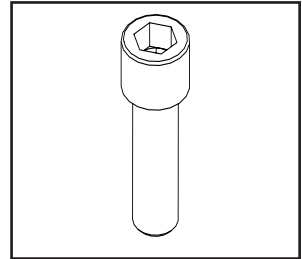
Position 19

M12x120



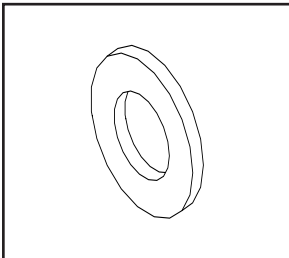
Position 20

M12x110



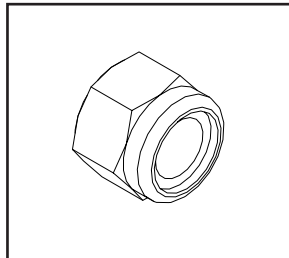
Position 21

M12x35 imbus



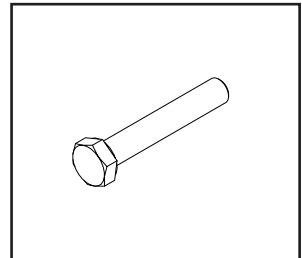
Position 22

M12 Washer



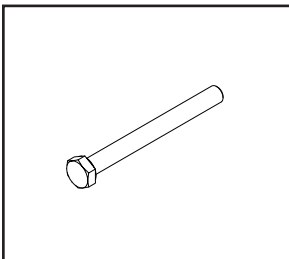
Position 23

M12 Nut



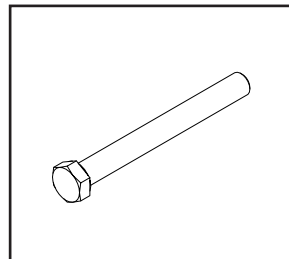
Position 24

M10x40



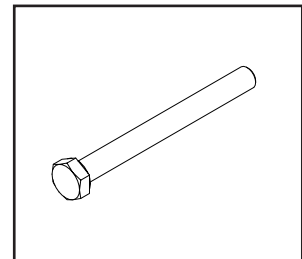
Position 25

M10x60



Position 26

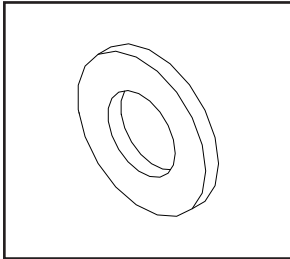
M10x100



Position 27

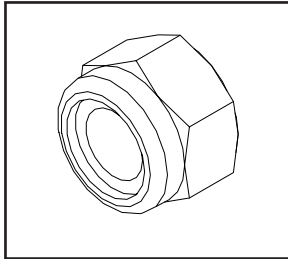
M10x70

Assembly elements:



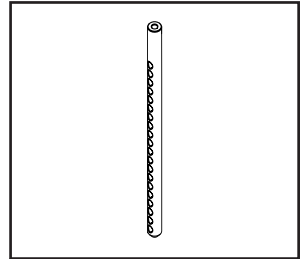
Position 28

M10 Washer



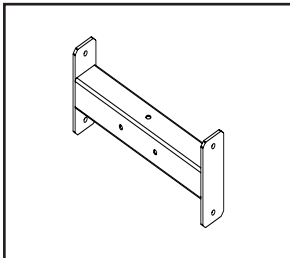
Position 29

M10 Nut



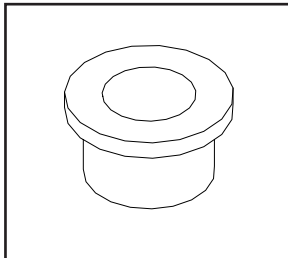
Position 30

**WS_Selector
Bar_50KG**



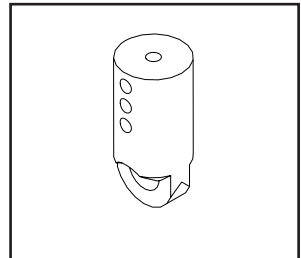
Position 31

**Pulley Tower_
connecting profile**



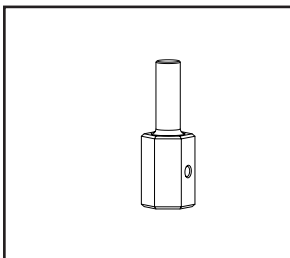
Position 32

Bushing fi 14-10



Position 33

Cable Termination

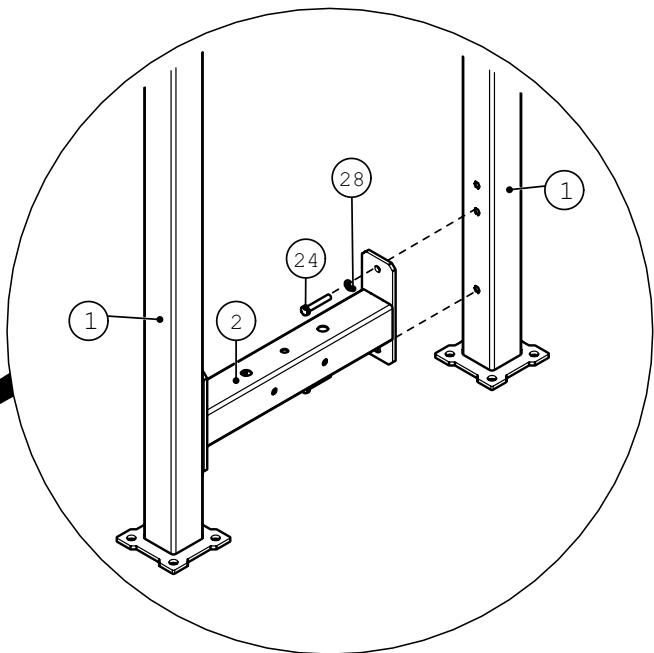
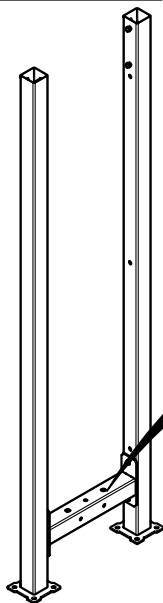


Position 34

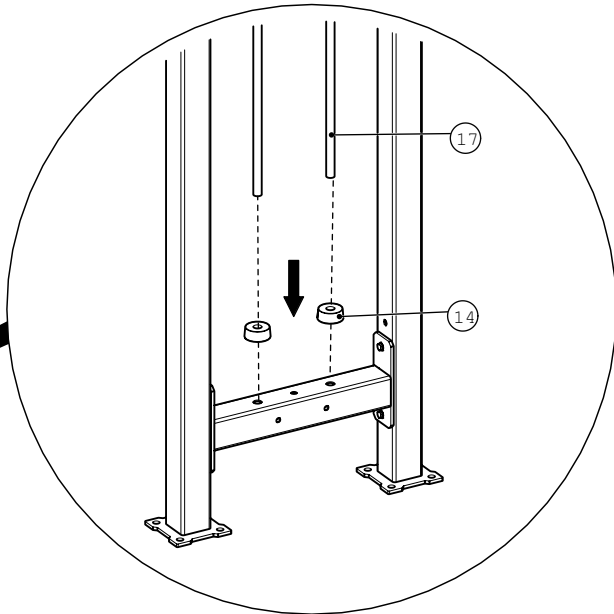
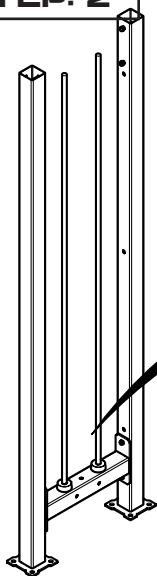
**Cable Termination_
Thread**

Assembly instruction:

STEP: 1

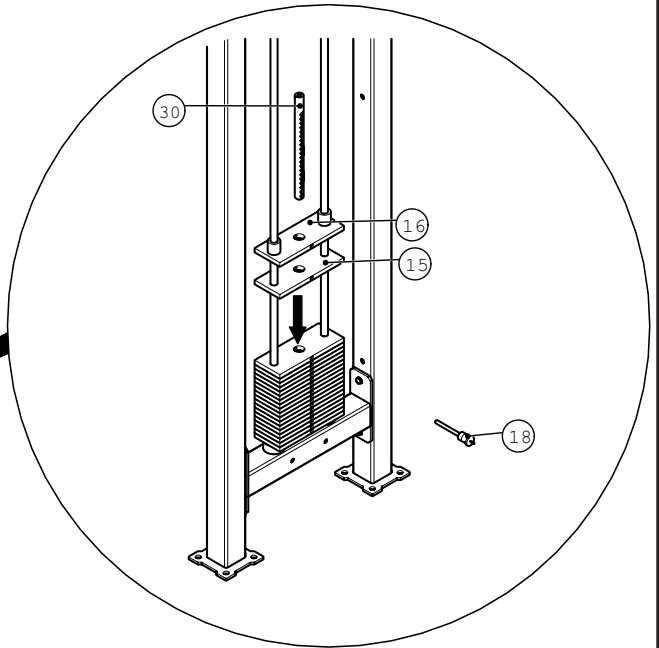
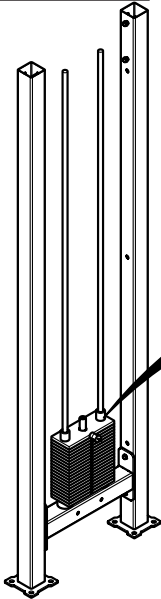


STEP: 2

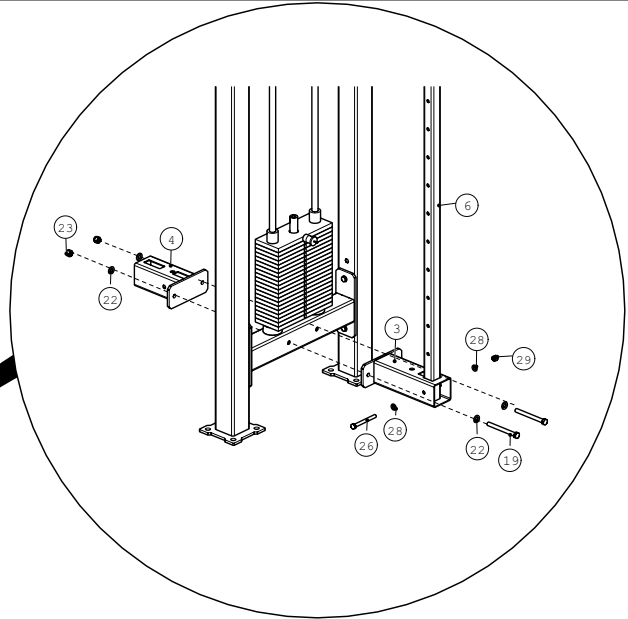
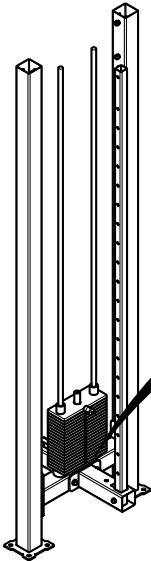


Assembly instruction:

STEP: 3

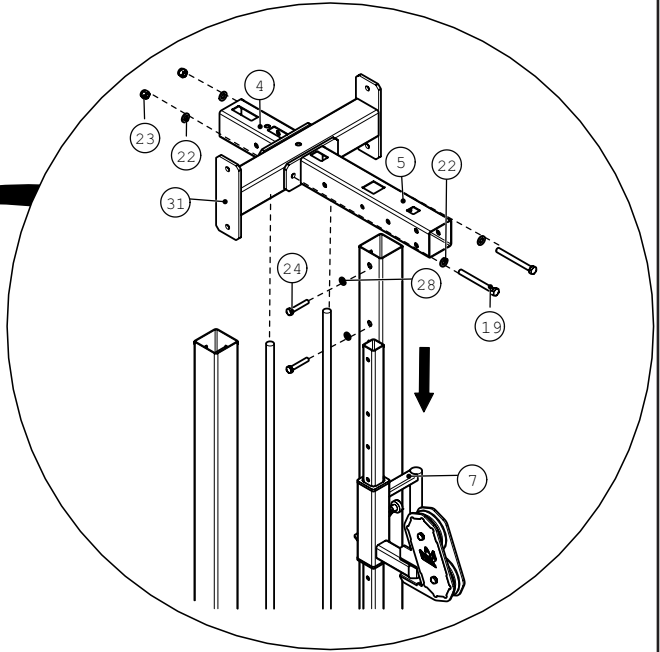
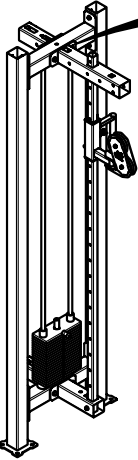


STEP: 4

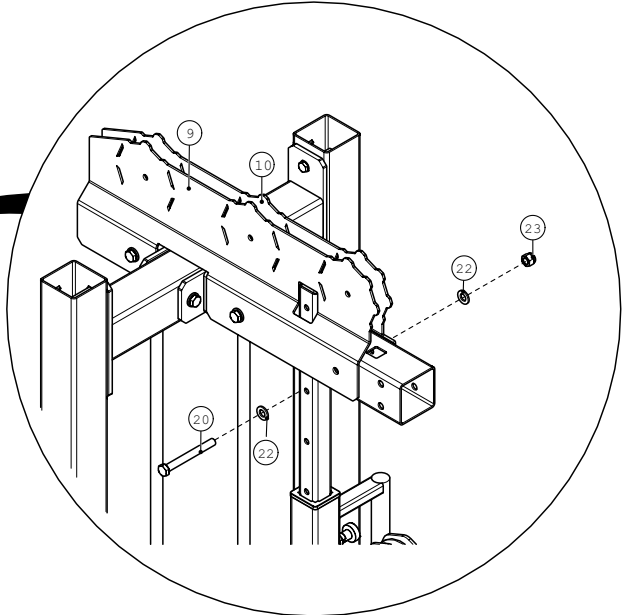
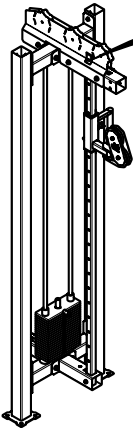


Assembly instruction:

STEP: 5

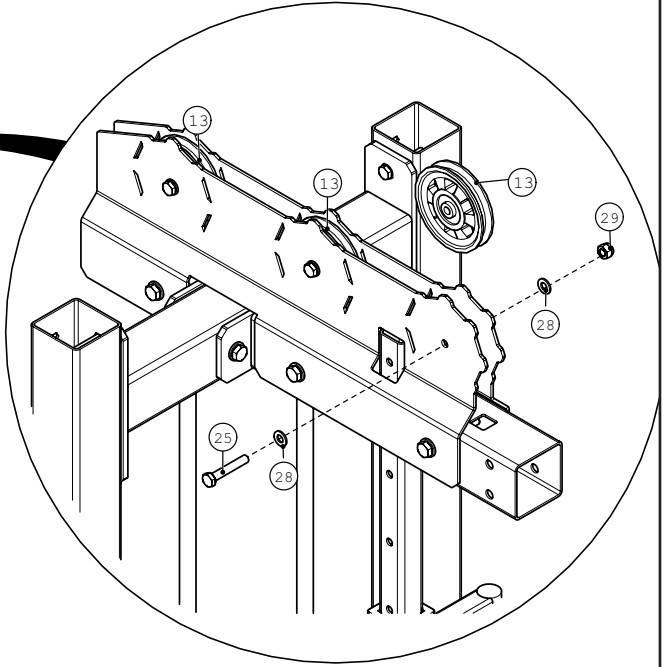
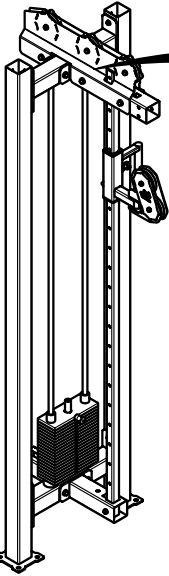


STEP: 6

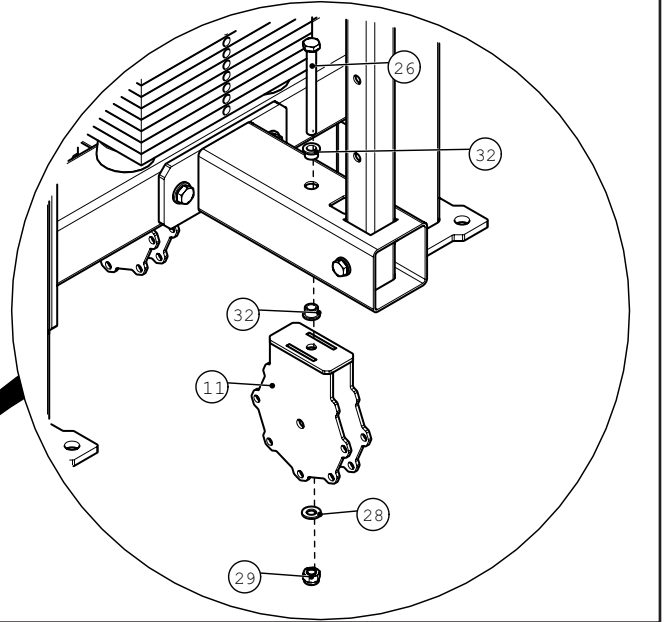
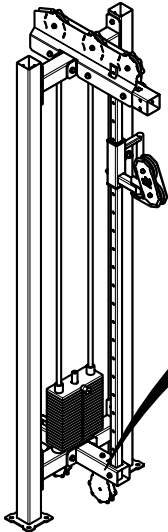


Assembly instruction:

STEP: 7

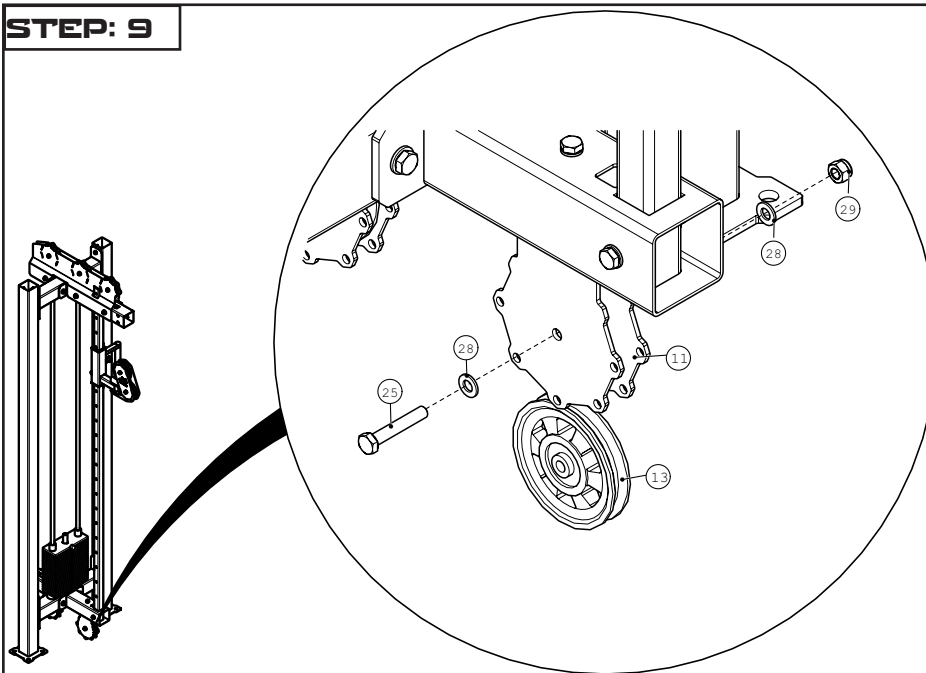


STEP: 8

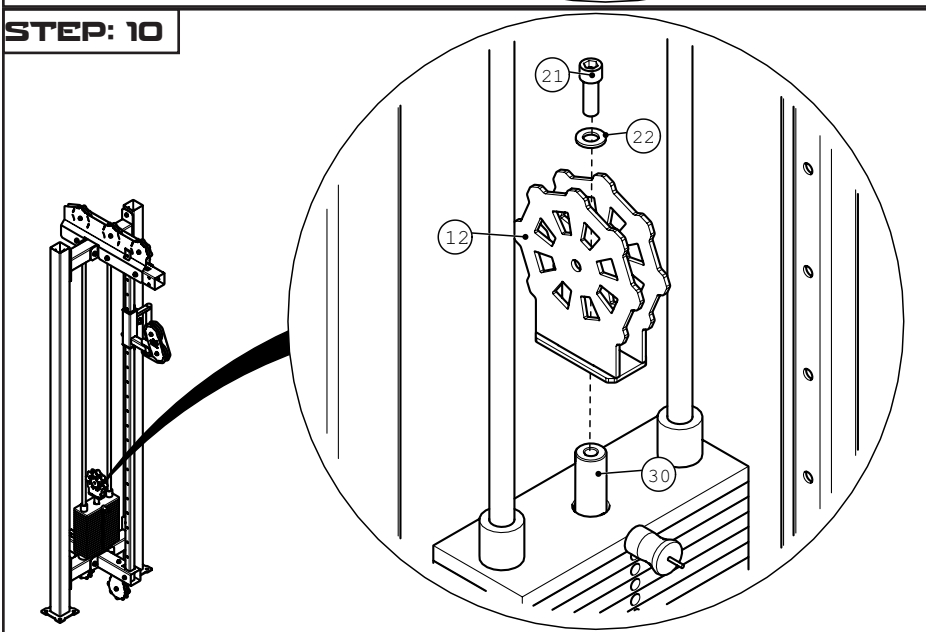


Assembly instruction:

STEP: 9

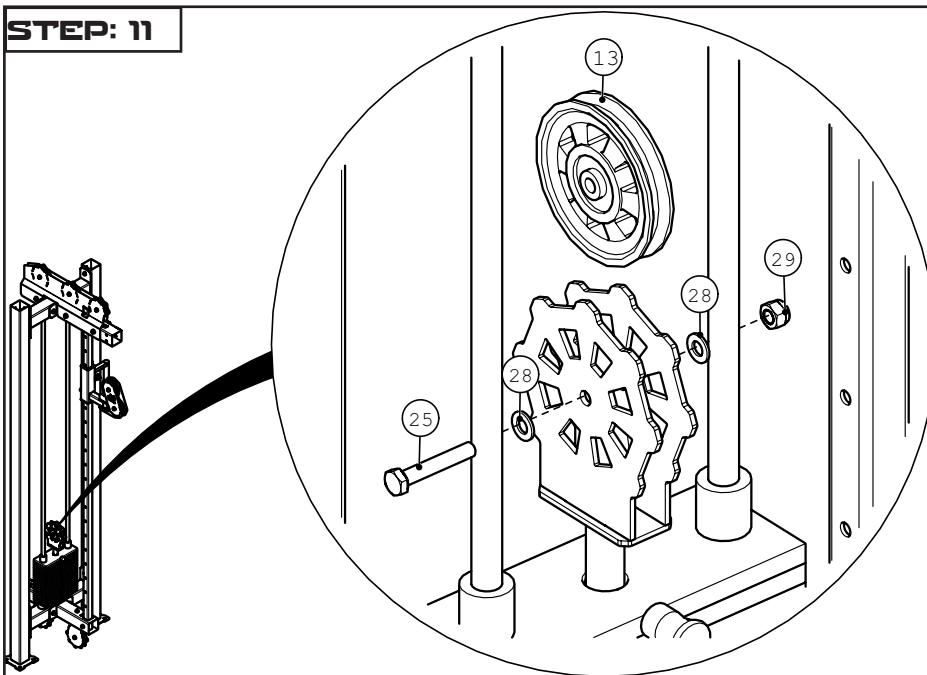


STEP: 10

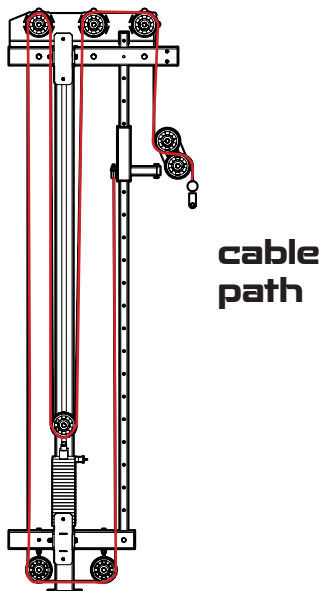


Assembly instruction:

STEP: 11

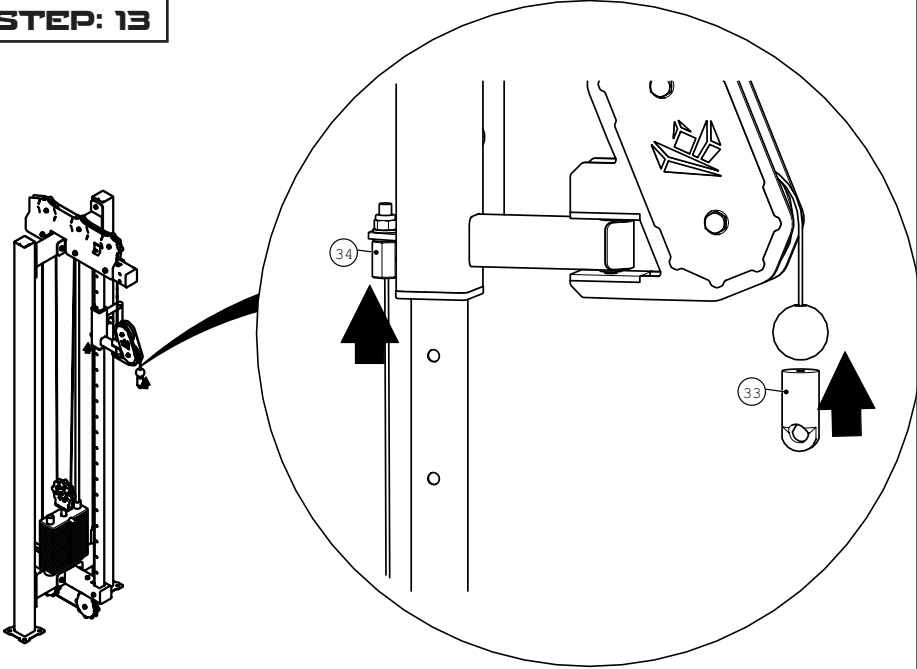


STEP: 12



Assembly instruction:

STEP: 13



STEP: 14

