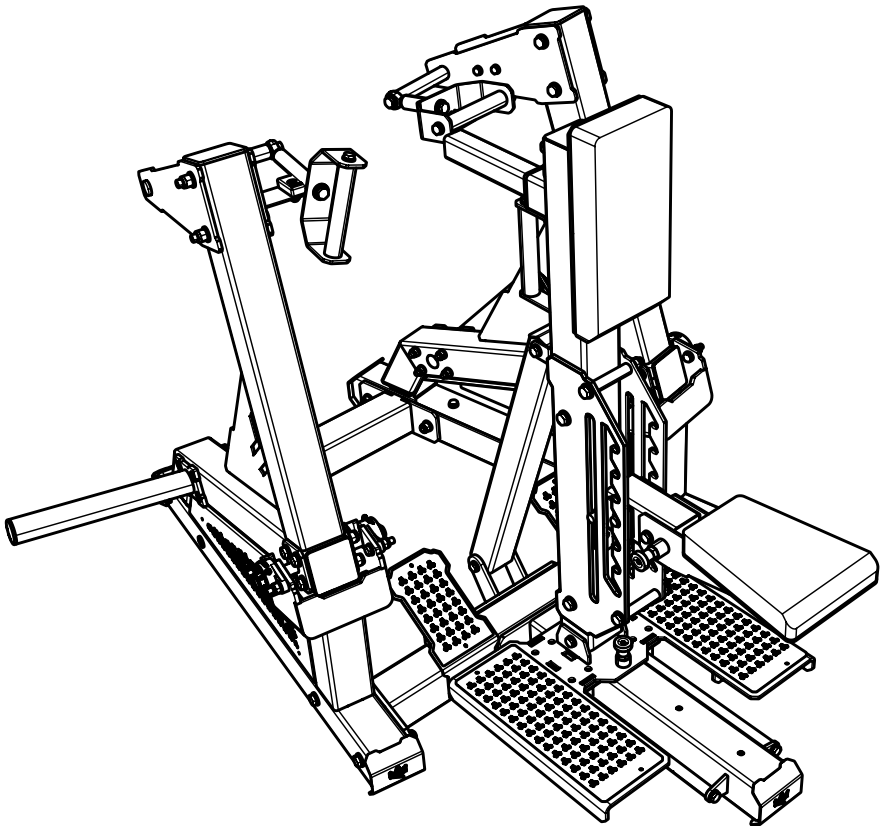


TFP - Horizontal Row

KB06MI-068



Manufacturer:
Kingsbox d.o.o.
Partizanska cesta 129, 6210 Sežana
Slovenia



Customer service:

Write us on info@kingsbox.com or send us a message through our website at www.kingsbox.com/help

Usage class:

Indoor use - Studio (S)

Designed in compliance with:

ISO 20957

Gym owner shall provide the user with all the warnings and instructions. The training equipment shall only be used in areas where access, supervision and control is specifically regulated by the owner.

For training equipment designed with stacked weights - person exercising should face the training equipment at all times during the exercise to prevent danger to a third party.

Warnings:

- Freestanding equipment shall be installed on a stable and levelled base
- All equipment designed with anchoring/attachement holes (e.g. rigs, racks, equipment and accessories for racks, storage pins/shelves, etc.) should be securely screwed to the fixed ground/wall/structure through all the designated fixing holes and with appropriate sized screws.
- Injuries to health may result from incorrect or excessive training
- Keep unsupervised children away from the equipment

Maximum user body mass: 100 kg

Maximum training mass ⁽¹⁾: 70 kg/sleeve

⁽¹⁾ Training mass - achieved through different means of resistance (weight plates, stacked weights, dumbbells, elastic cords, etc.), excluding user's bodyweight.

WARNING!

Equipment installed on the rigs and racks:

The structure (rig/rack) onto which the equipment is attached **MUST** be securely anchored into the ground, otherwise a high risk of structure overturning exists.

Failure to do so presents a high risk of injuries that could eventually lead to death of the people exercising or present near the equipment.

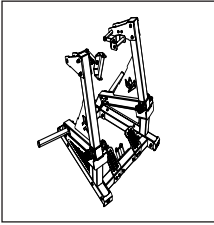
The fixing bolts for wall and / or floor are not included in the package, since different types of anchor bolts must be used for different wall / floor types.

WARNING!

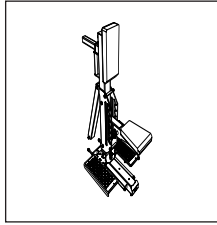
Equipment installed on the wall:

The equipment **MUST** be securely anchored to an appropriate wall (stable concrete wall in good condition) to avoid any failure of the equipment during exercise (such as equipment dettaching from the wall, wall damage, wall collapse etc.).

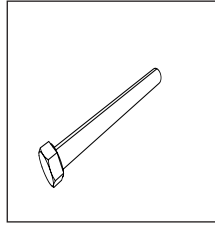
Assembly elements:



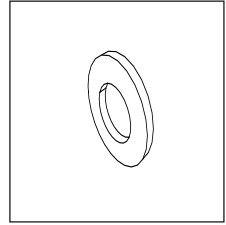
Position 1
Front part



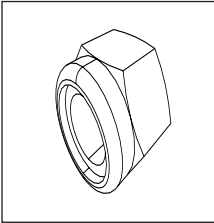
Position 2
Back part



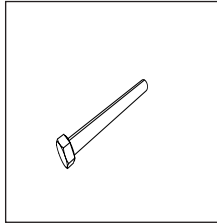
Position 3
M12x120



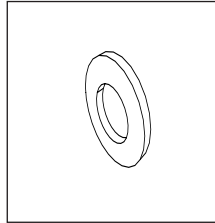
Position 4
Washer M12



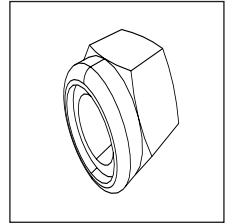
Position 5
Nut M12



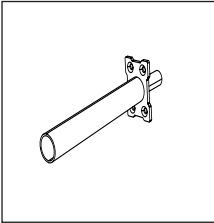
Position 6
M10x100



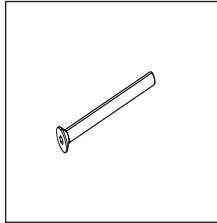
Position 7
Washer M10



Position 8
Nut M10

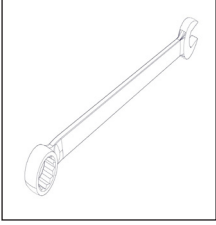


Position 9
Sleeve

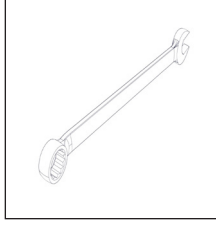


Position 10
M10x110 flat head

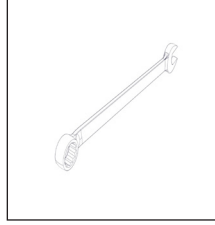
Tools needed:



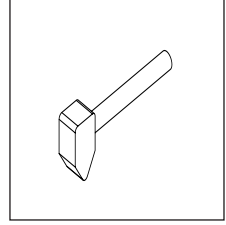
Wrench 19
2x



Wrench 17
2x



Wrench 13
2x



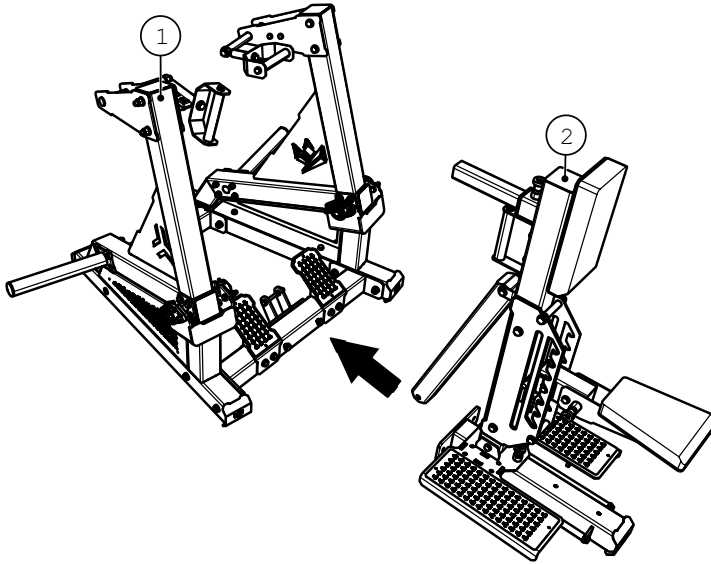
Plastic Hammer
1x



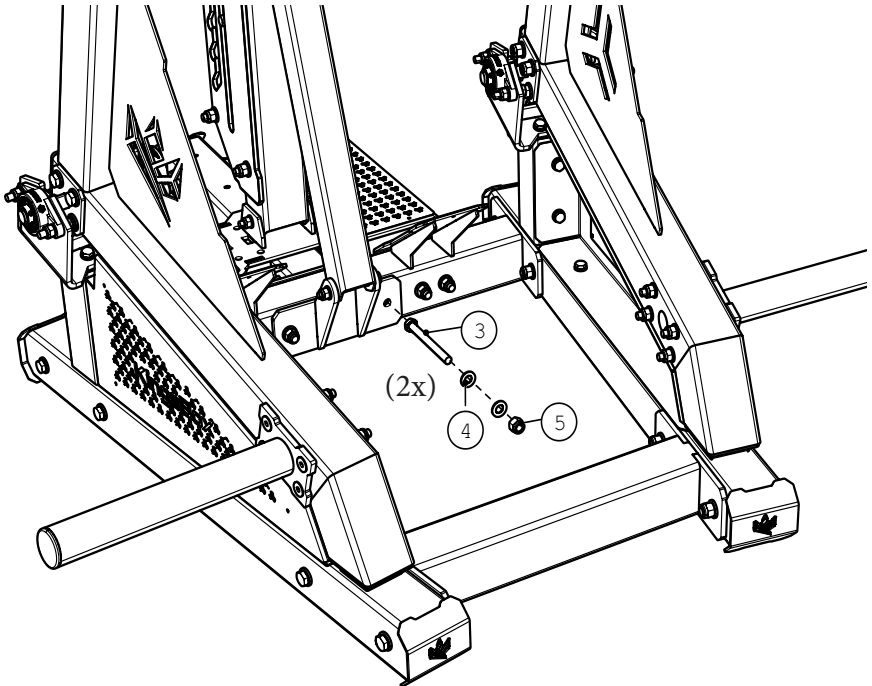
Allen Key 3mm
1x

Assembly instruction:

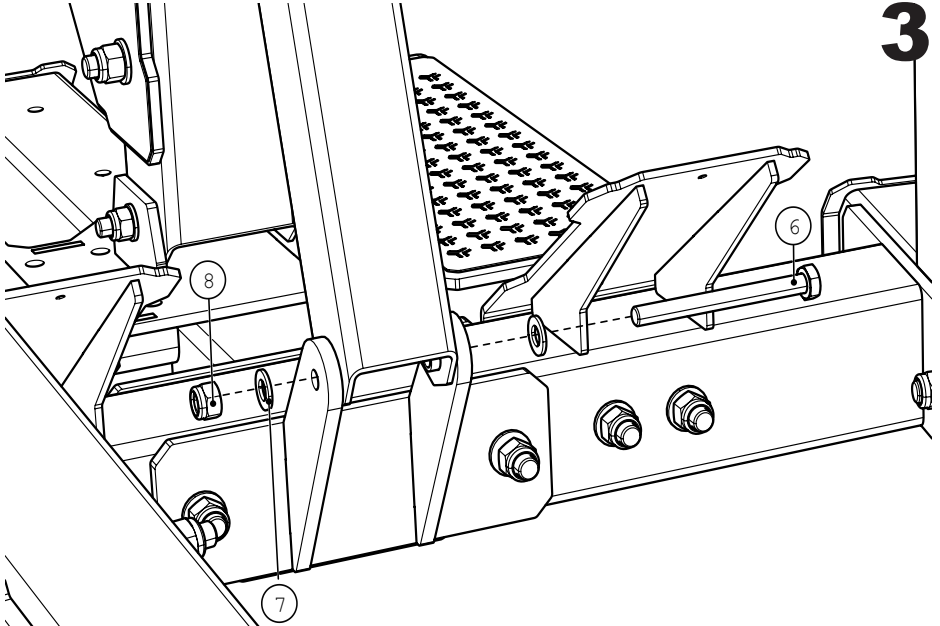
1



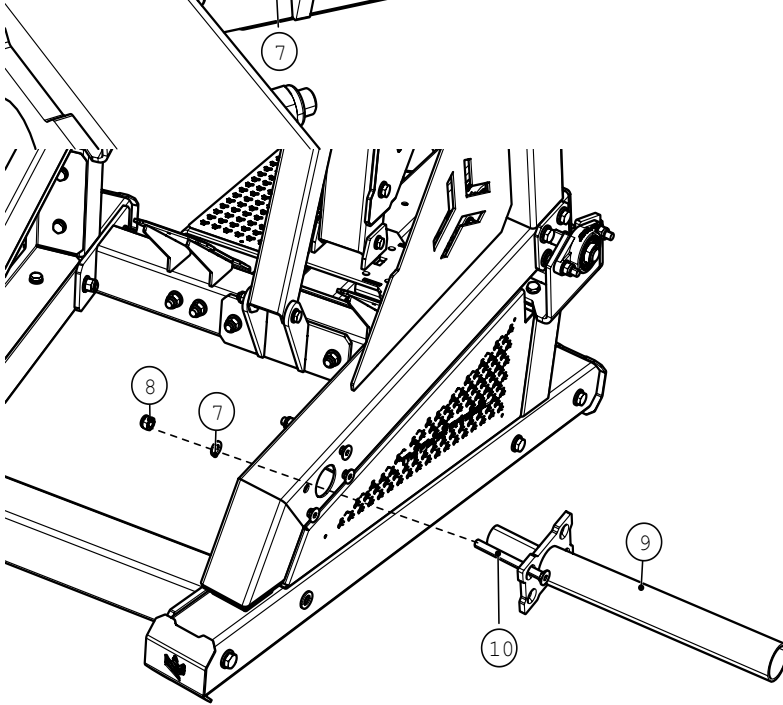
2



3

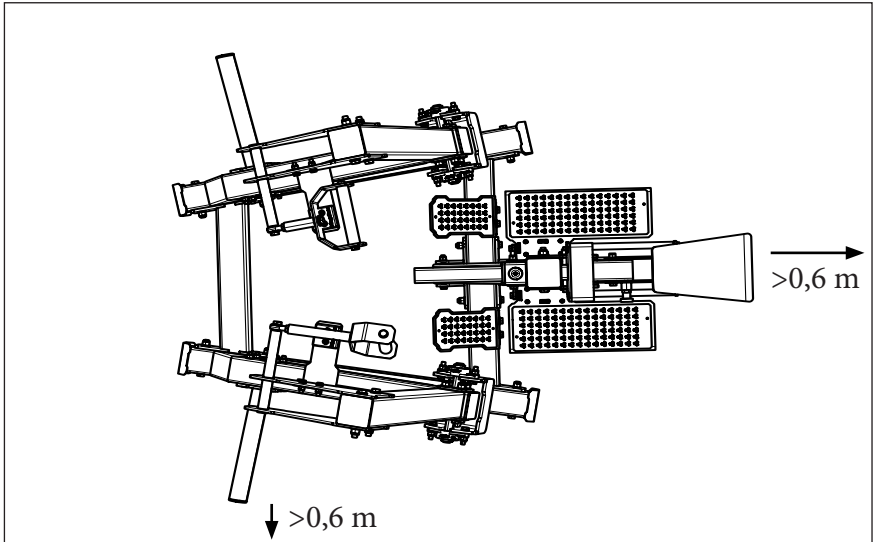


4

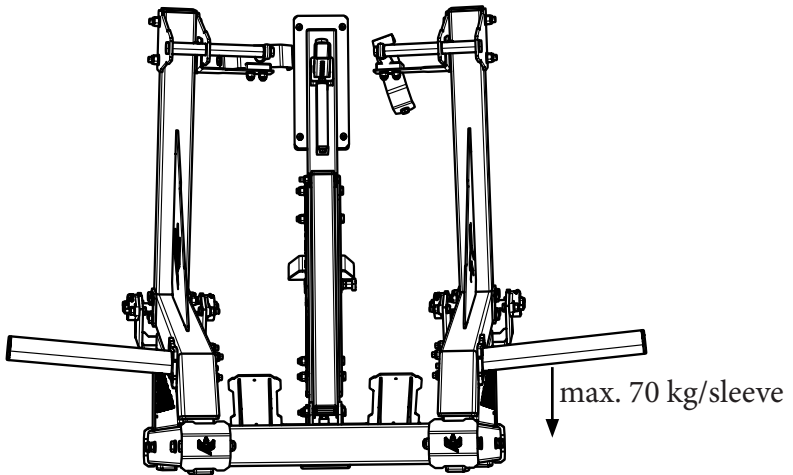


Instructions for use:

Free area around the training equipment should be $>0,6\text{m}$ than the training area in the direction from which the equipment is accessed.



Max. loading/ training mass: max. 70 kg/sleeve



KingsBox®
BUILDING BETTER HUMANS