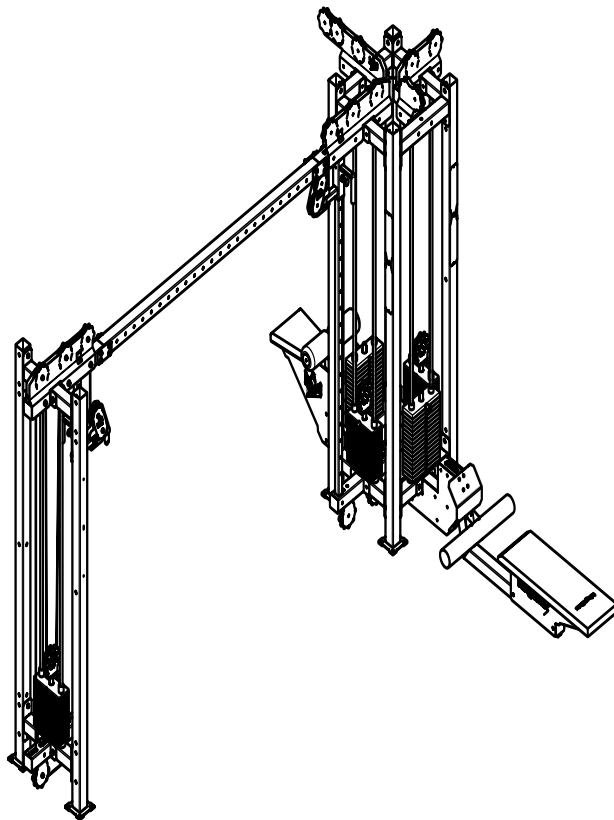


PT_Cable CrossOver



KingsBox®
BUILDING BETTER HUMANS

ATTENZIONE!

Se la struttura non viene fissata a terra e/o al muro, può rib-altarsi e/o provocare danni a persone o oggetti in immediata vicinanza.

I bulloni per il fissaggio del rig a muro e/o al pavimento non sono inclusi nel pacco, in quanto per diversi tipi di muro e pavimentazione bisogna utilizzare diversi tipi di bulloni d'ancoraggio.

OPOZORILO!

Če se struktura prevrne, lahko pride do resnih telesnih poškodb. Da bi preprečili nevarnost, da se ta struktura prevrne, mora biti pritrjena na steno in / ali v tla.

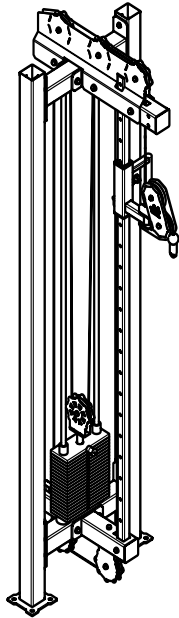
Vijaki za pritrjevanje strukture na steno oz. tla niso priloženi, saj različne sestave zidov oz. tal zahtevajo različne vrste pritrdilnih elementov. Uporabite take, ki ustrezajo sestavi vaše stene oz. tal.

WARNING!

If the structure is not secured to the ground and / or to the wall, it may overturn and / or cause damage to person or object in the immediate vicinity.

The fixing bolts for wall and / or floor are not included in the pack-age, since different types of anchor bolts must be used for different wall / floor types.

Bridge Tower (Adjustable Pulley)



KingsBox®
BUILDING BETTER HUMANS

ATTENZIONE!

Se la struttura non viene fissata a terra e/o al muro, può rib-altarsi e/o provocare danni a persone o oggetti in immediata vicinanza.

I bulloni per il fissaggio del rig a muro e/o al pavimento non sono inclusi nel pacco, in quanto per diversi tipi di muro e pavimentazione bisogna utilizzare diversi tipi di bulloni d'ancoraggio.

OPOZORILO!

Če se struktura prevrne, lahko pride do resnih telesnih poškodb. Da bi preprečili nevarnost, da se ta struktura prevrne, mora biti pritrjena na steno in / ali v tla.

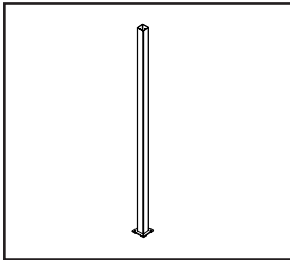
Vijaki za pritrjevanje strukture na steno oz. tla niso priloženi, saj različne sestave zidov oz. tal zahtevajo različne vrste pritrdilnih elementov. Uporabite take, ki ustrezajo sestavi vaše stene oz. tal.

WARNING!

If the structure is not secured to the ground and / or to the wall, it may overturn and / or cause damage to person or object in the immediate vicinity.

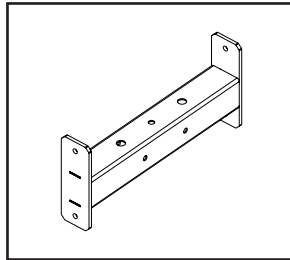
The fixing bolts for wall and / or floor are not included in the pack-age, since different types of anchor bolts must be used for different wall / floor types.

Assembly elements:



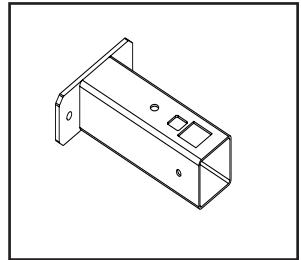
Position 1

**Pulley Tower
Upright**



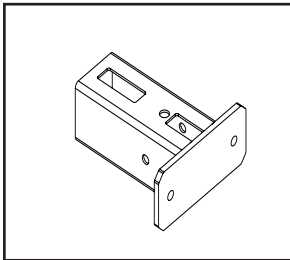
Position 2

**PT_connecting
profile_bottom**



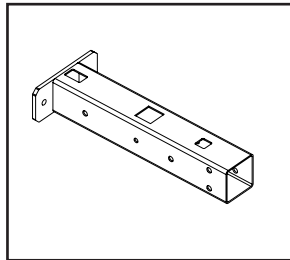
Position 3

**PT_Adj. profile
bottom**



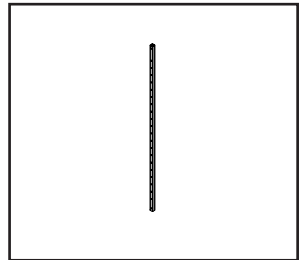
Position 4

PT_Universal profile



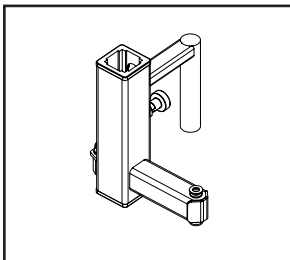
Position 5

PT_Adj. profile up



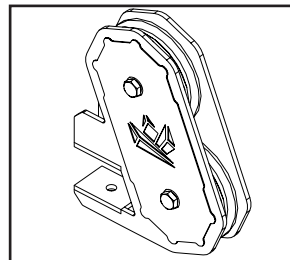
Position 6

**CCO Height Adj.
Column**



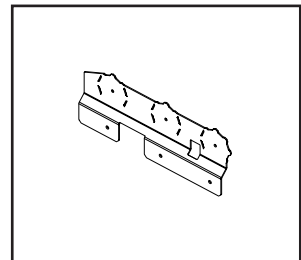
Position 7

**CCO Height Adj.
Trolley**



Position 8

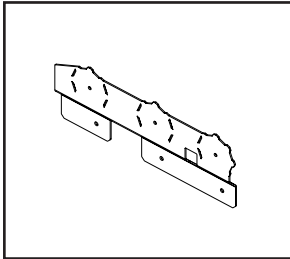
CCO Pulley Cart



Position 9

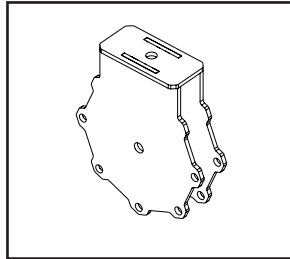
**PT_Adj. Pulley
Plate_L**

Assembly elements:



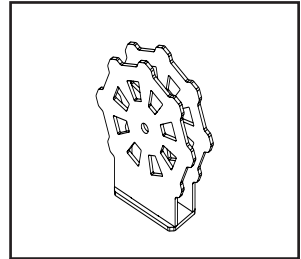
Position 10

**PT_Adj. Pulley
Plate_D**



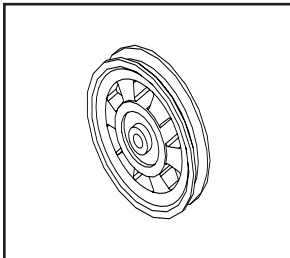
Position 11

**PT_Single Pulley
Holder**



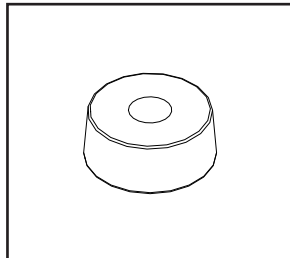
Position 12

**PT_Stack Pulley
Holder**



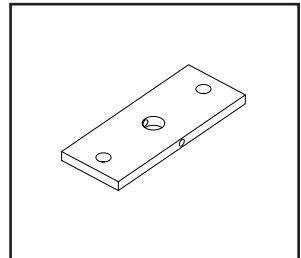
Position 13

Belt Pulley f114



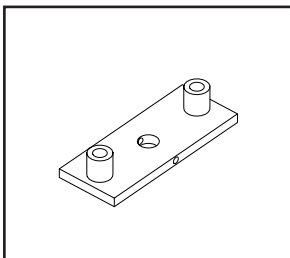
Position 14

WS_Rubber Cushion



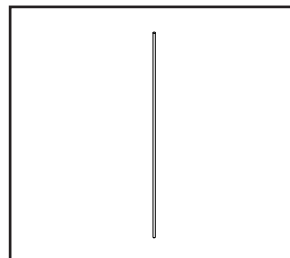
Position 15

WS-50 Weight Stack



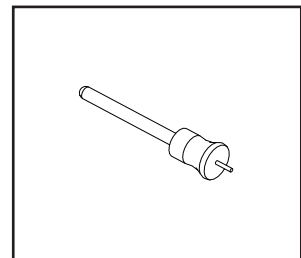
Position 16

WS-50_Top Plate



Position 17

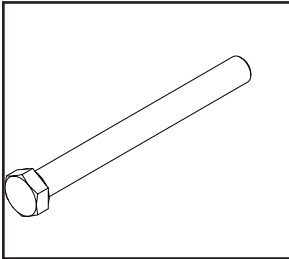
WS_Guide Rod



Position 18

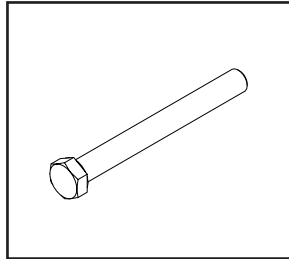
WS_Pin

Assembly elements:



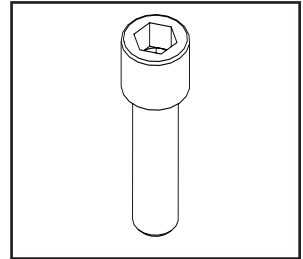
Position 19

M12x120



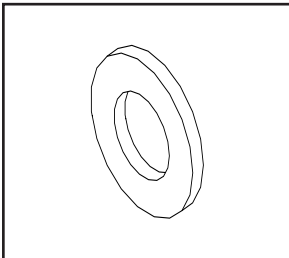
Position 20

M12x110



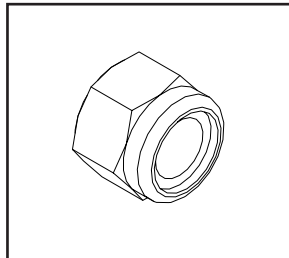
Position 21

M12x35 imbus



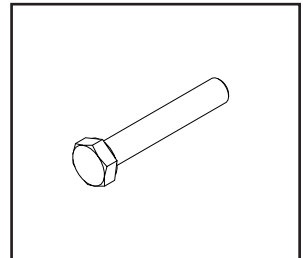
Position 22

M12 Washer



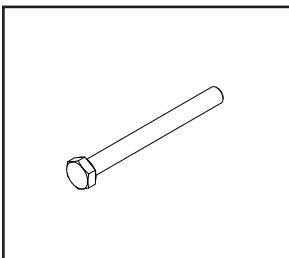
Position 23

M12 Nut



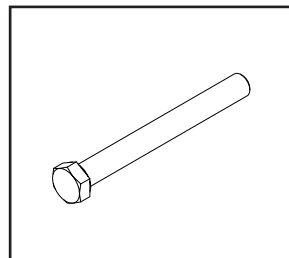
Position 24

M10x40



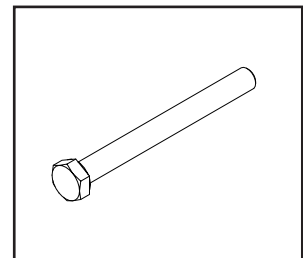
Position 25

M10x60



Position 26

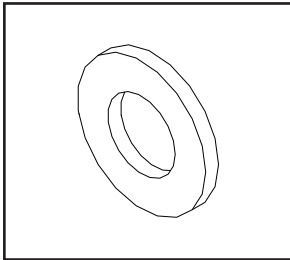
M10x100



Position 27

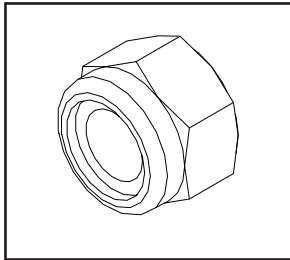
M10x70

Assembly elements:



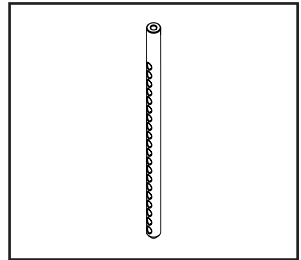
Position 28

M10 Washer



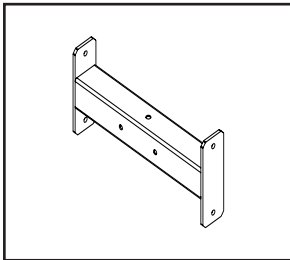
Position 29

M10 Nut



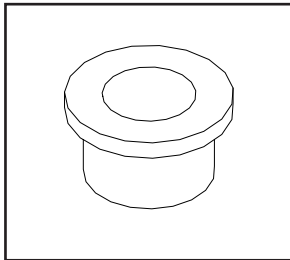
Position 30

**WS_Selector
Bar_50KG**



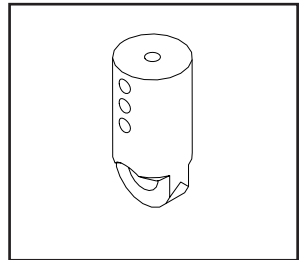
Position 31

**Pulley Tower_
connecting profile**



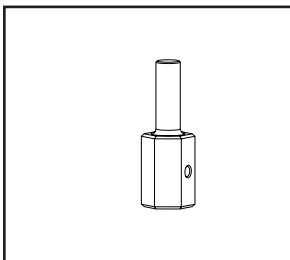
Position 32

Bushing fi 14-10



Position 33

Cable Termination

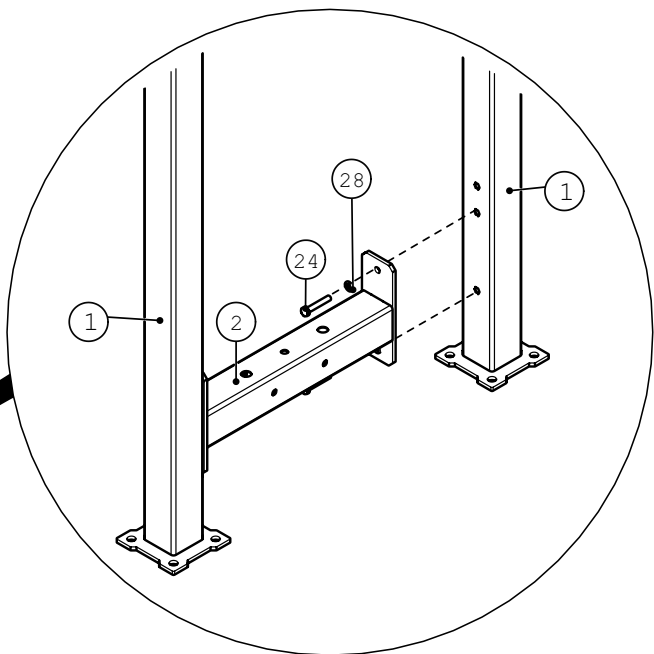
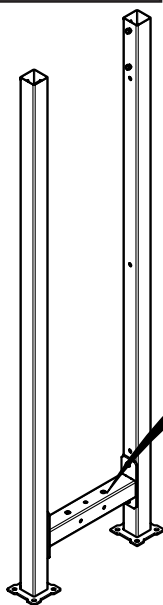


Position 34

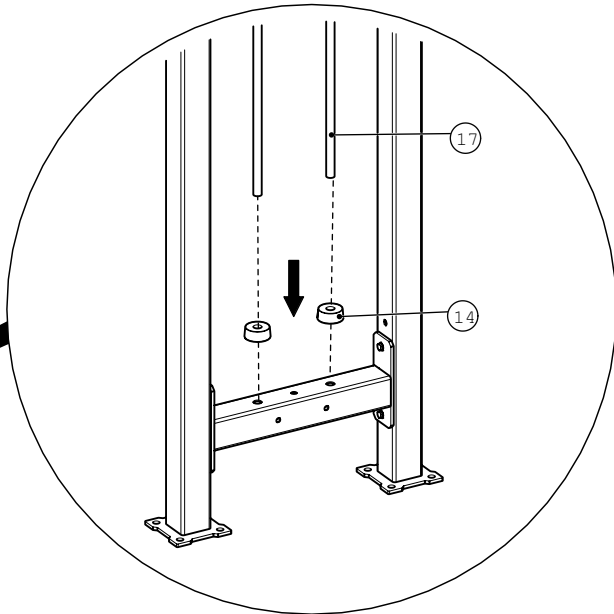
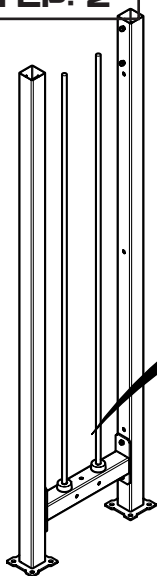
**Cable Termination_
Thread**

Assembly instruction:

STEP: 1

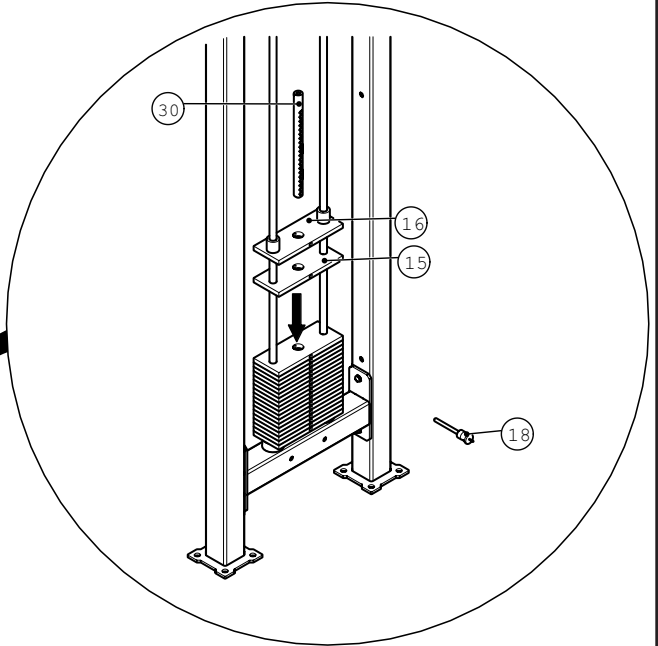
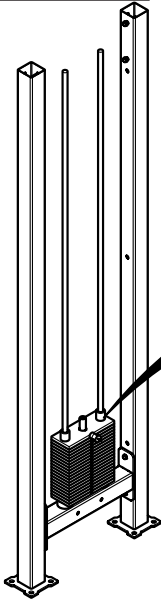


STEP: 2

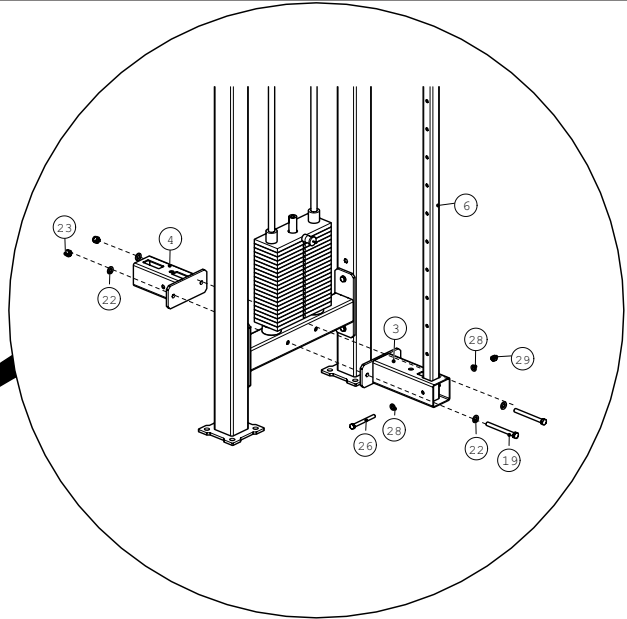
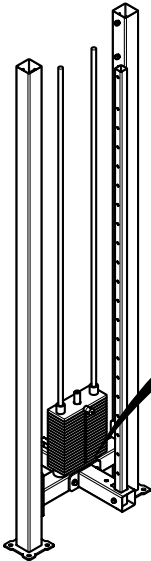


Assembly instruction:

STEP: 3

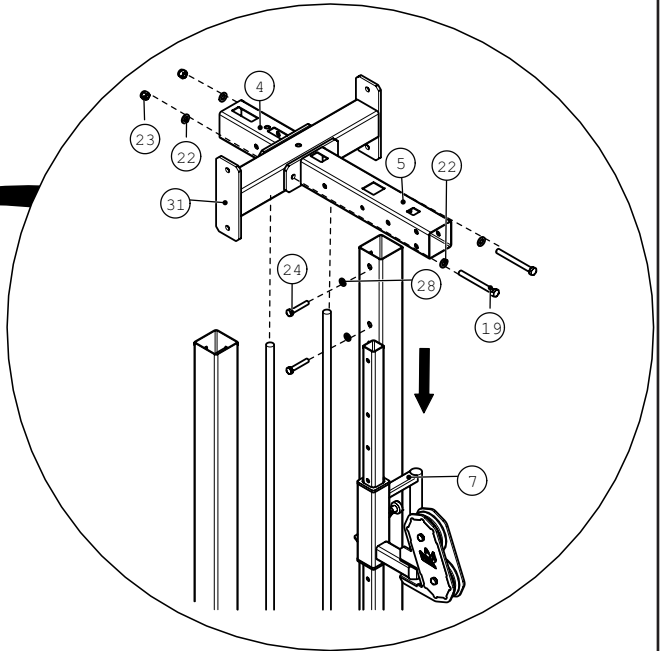
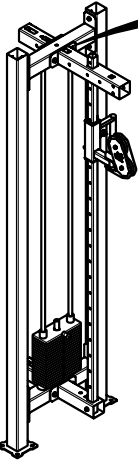


STEP: 4

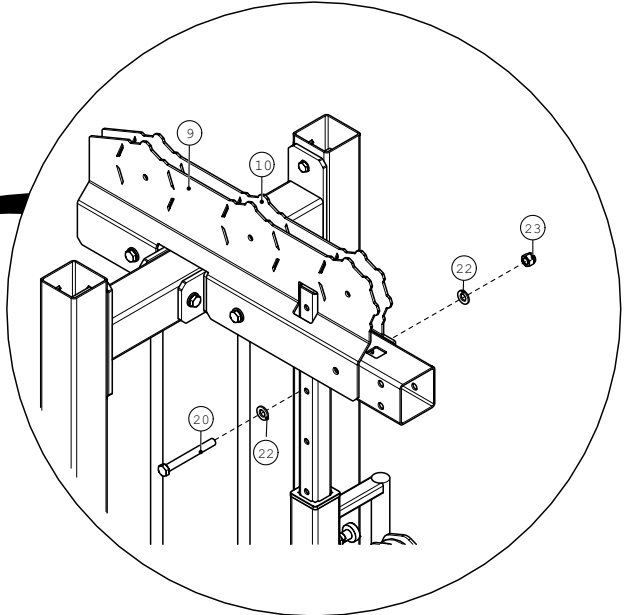
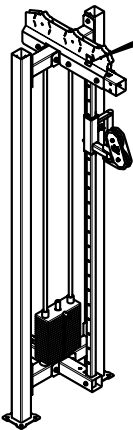


Assembly instruction:

STEP: 5

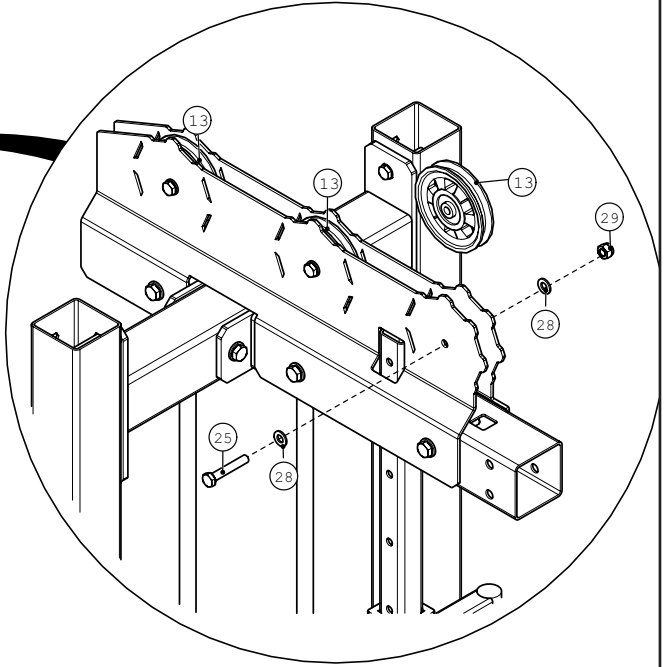
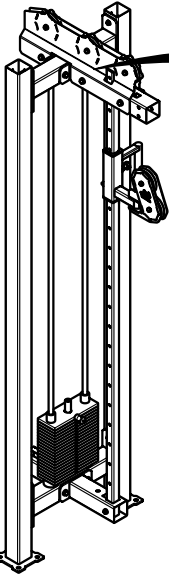


STEP: 6

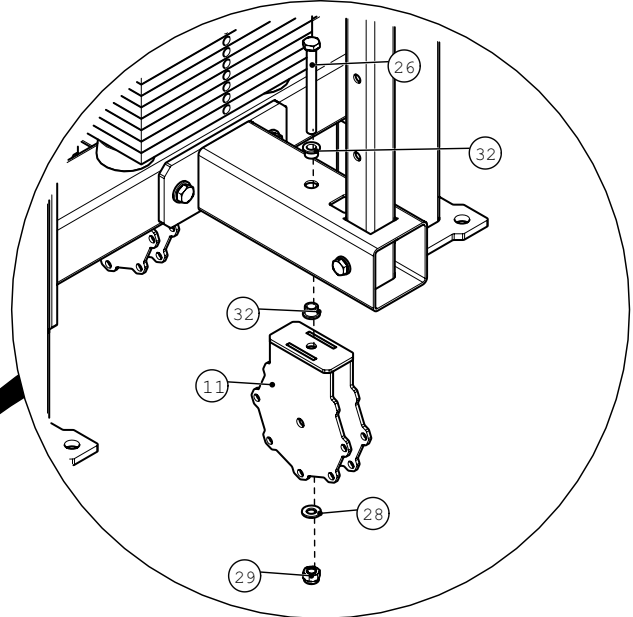
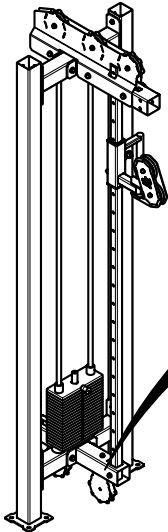


Assembly instruction:

STEP: 7

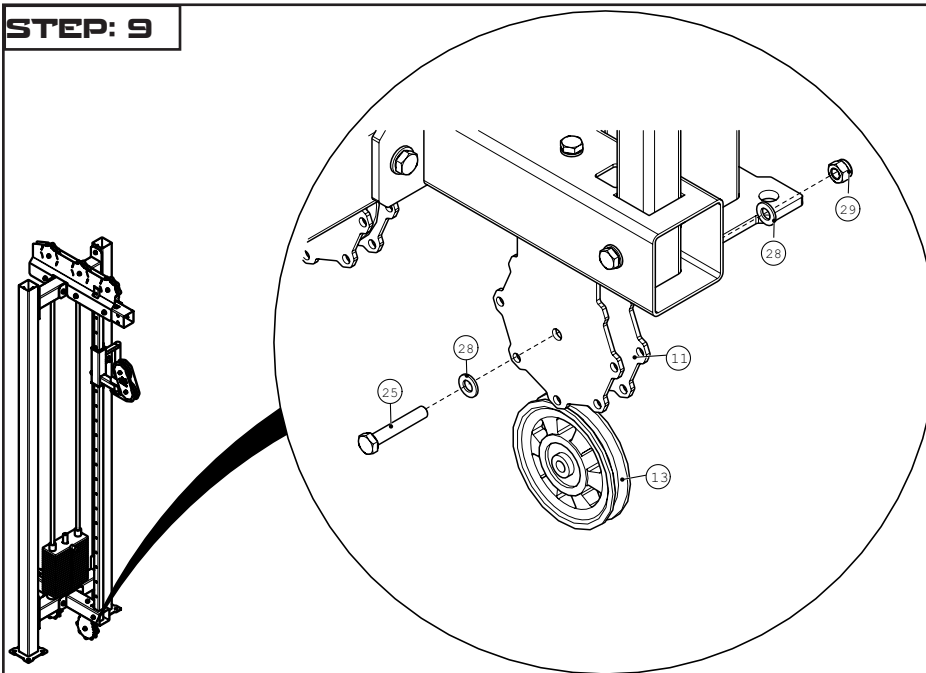


STEP: 8

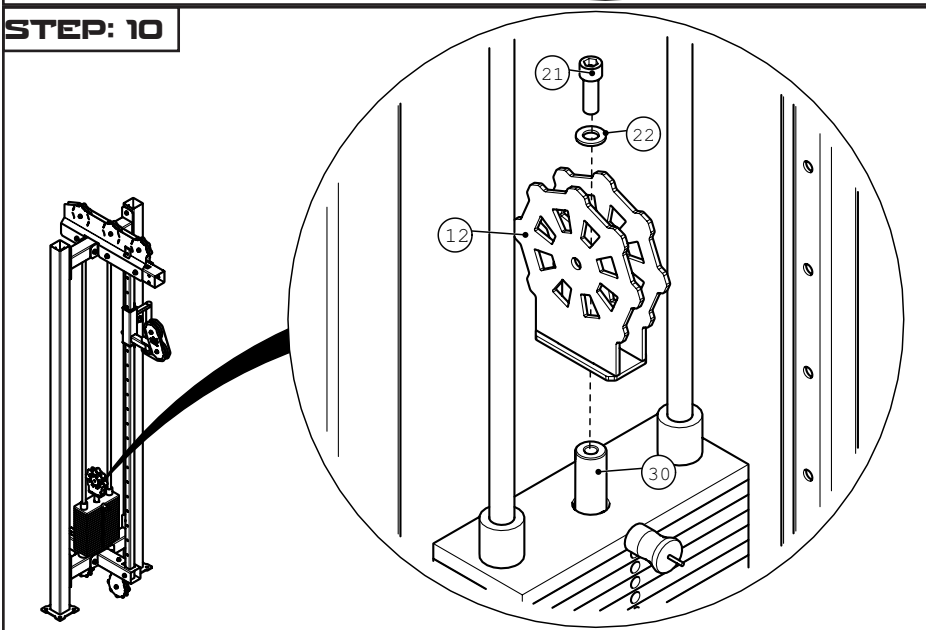


Assembly instruction:

STEP: 9

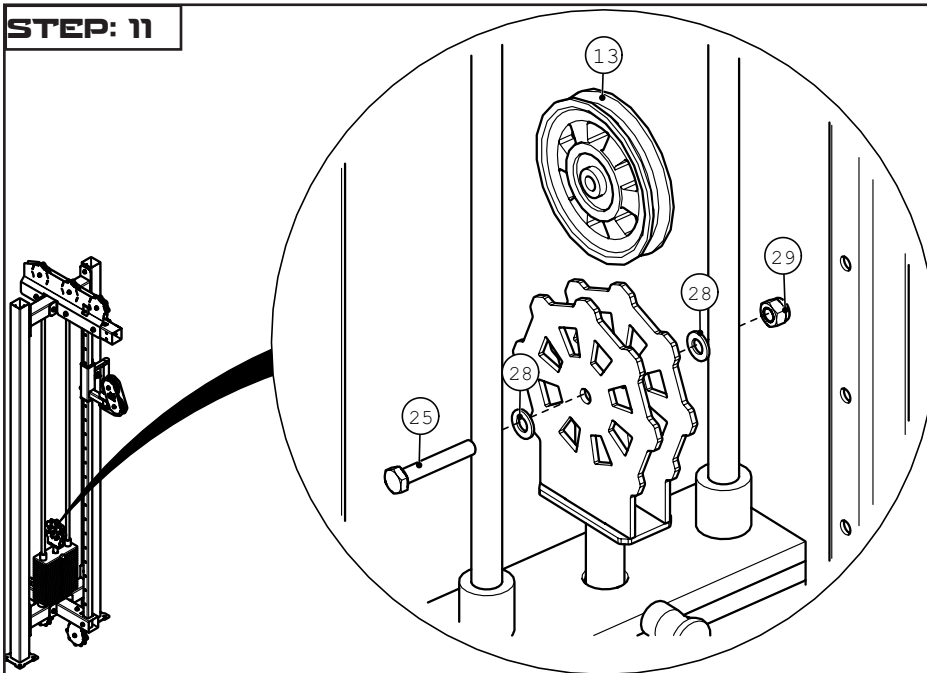


STEP: 10

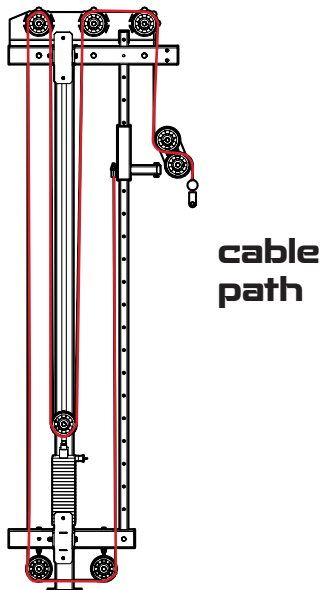


Assembly instruction:

STEP: 11

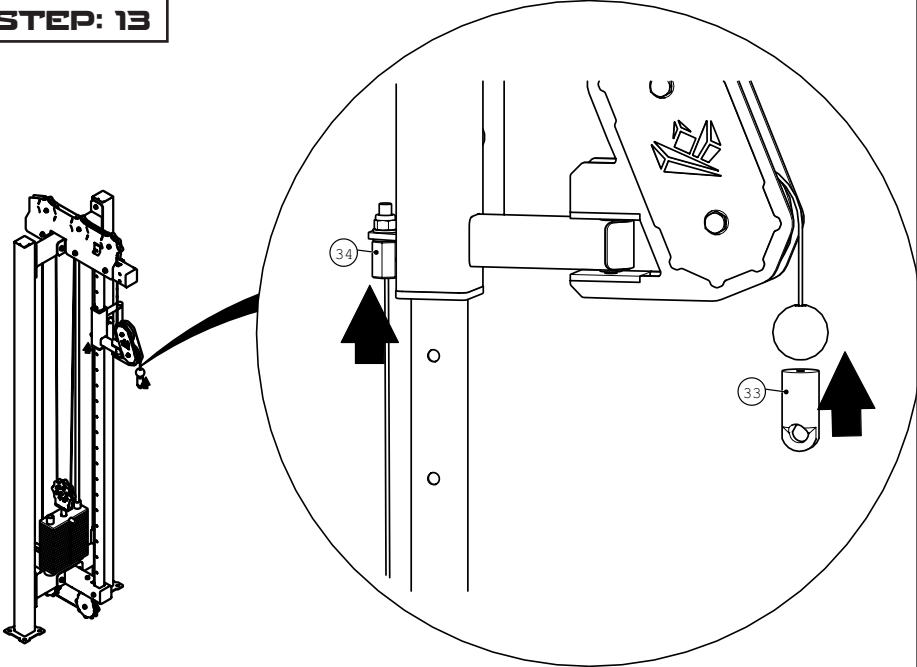


STEP: 12

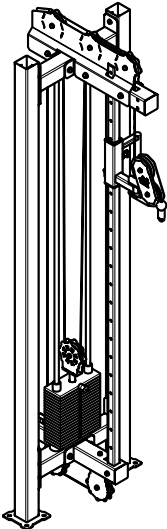


Assembly instruction:

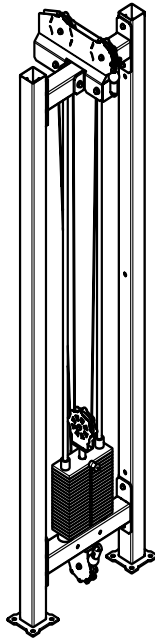
STEP: 13



STEP: 14



Sling Tower (Static Pulley)



KingsBox®
BUILDING BETTER HUMANS

ATTENZIONE!

Se la struttura non viene fissata a terra e/o al muro, può rib-altarsi e/o provocare danni a persone o oggetti in immediata vicinanza.

I bulloni per il fissaggio del rig a muro e/o al pavimento non sono inclusi nel pacco, in quanto per diversi tipi di muro e pavimentazione bisogna utilizzare diversi tipi di bulloni d'ancoraggio.

OPOZORILO!

Če se struktura prevrne, lahko pride do resnih telesnih poškodb. Da bi preprečili nevarnost, da se ta struktura prevrne, mora biti pritrjena na steno in / ali v tla.

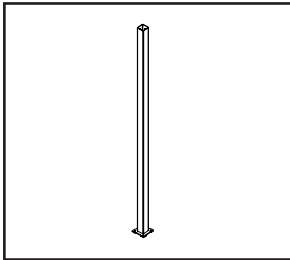
Vijaki za pritrjevanje strukture na steno oz. tla niso priloženi, saj različne sestave zidov oz. tal zahtevajo različne vrste pritrdilnih elementov. Uporabite take, ki ustrezajo sestavi vaše stene oz. tal.

WARNING!

If the structure is not secured to the ground and / or to the wall, it may overturn and / or cause damage to person or object in the immediate vicinity.

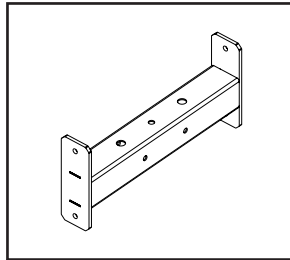
The fixing bolts for wall and / or floor are not included in the pack-age, since different types of anchor bolts must be used for different wall / floor types.

Assembly elements:



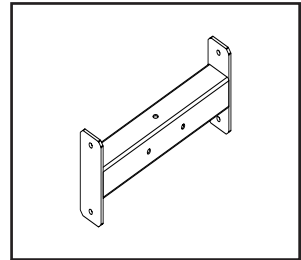
Position 1

**Pulley Tower
Upright**



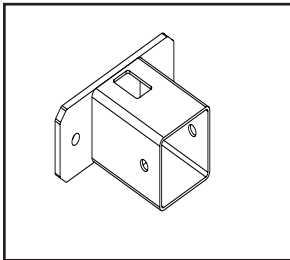
Position 2

**PT_connecting
profile_bottom**



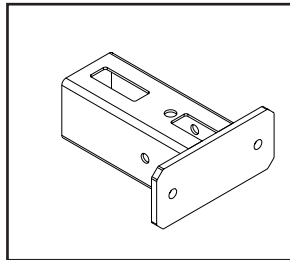
Position 3

**Pulley Tower_
connecting profile**



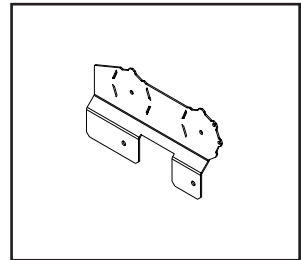
Position 4

**PT_Static Pulley
Profile**



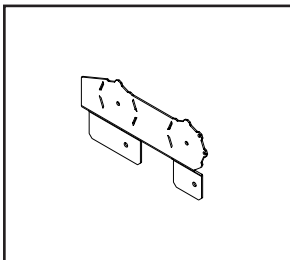
Position 5

PT_niversal profile



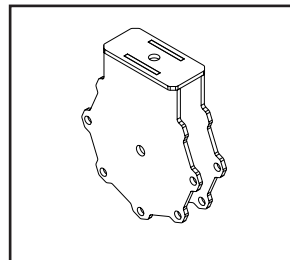
Position 6

**PT_Static Pulley
Plate_L**



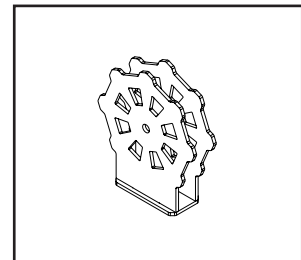
Position 7

**PT_Static Pulley
Plate_D**



Position 8

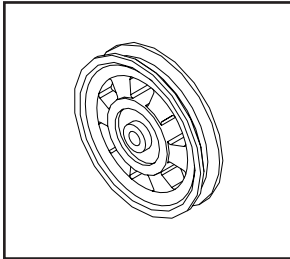
**PT_Single Pulley
Holder**



Position 9

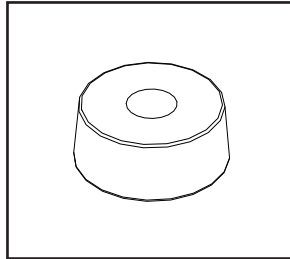
**PT_Stack Pulley
Holder**

Assembly elements:



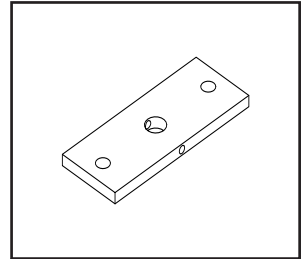
Position 10

Belt Pulley f114



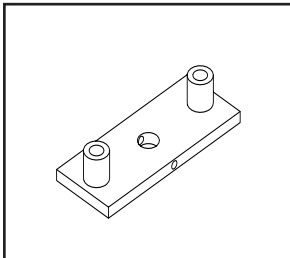
Position 11

WS_Rubber Cushion



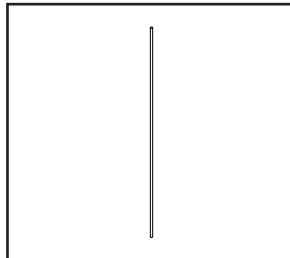
Position 12

WS-50_Weight Stack



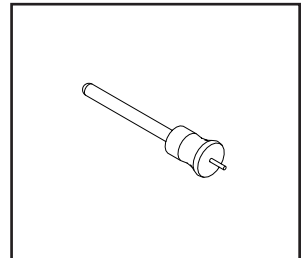
Position 13

WS-50_Top plate



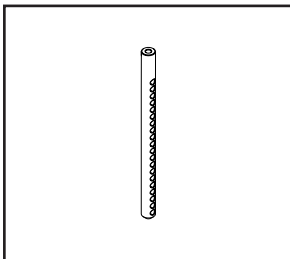
Position 14

WS_Guide Rod



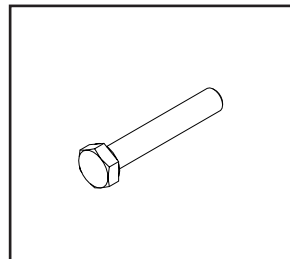
Position 15

WS_Pin



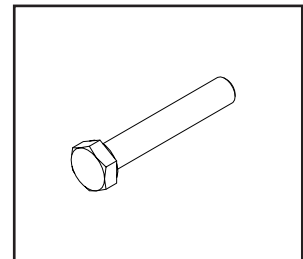
Position 16

**WS_Selector
Bar_50KG**



Position 17

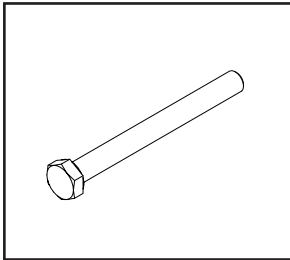
M10x40



Position 18

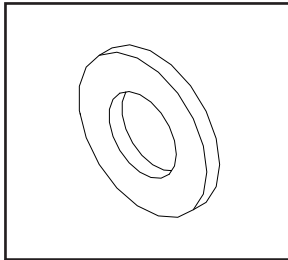
M10x60

Assembly elements:



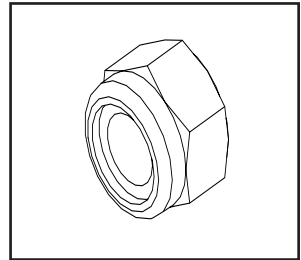
Position 19

M10x100



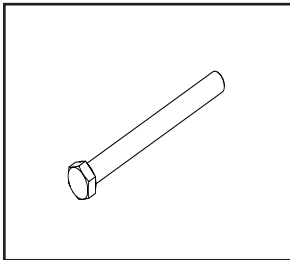
Position 20

M10 Washer



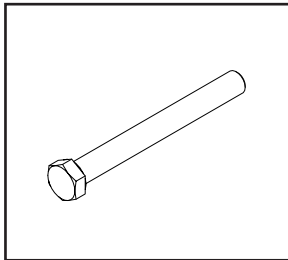
Position 21

M10 Nut



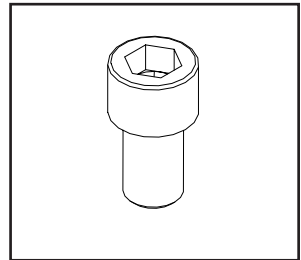
Position 22

M12x120



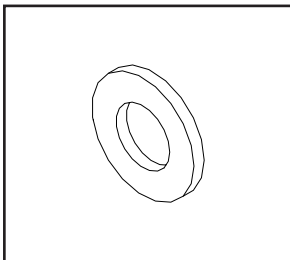
Position 23

M12x110



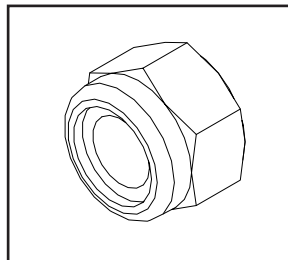
Position 24

M12x35 imbus



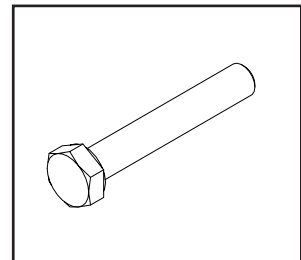
Position 25

M12 Washer



Position 26

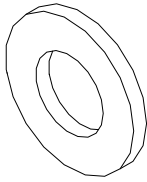
M12 Nut



Position 27

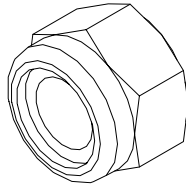
M6x50

Assembly elements:



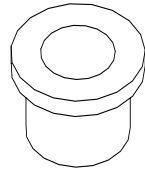
Position 28

M6 Washer



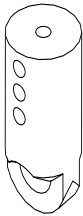
Position 29

M6 Nut



Position 30

Bushing fi 14-10

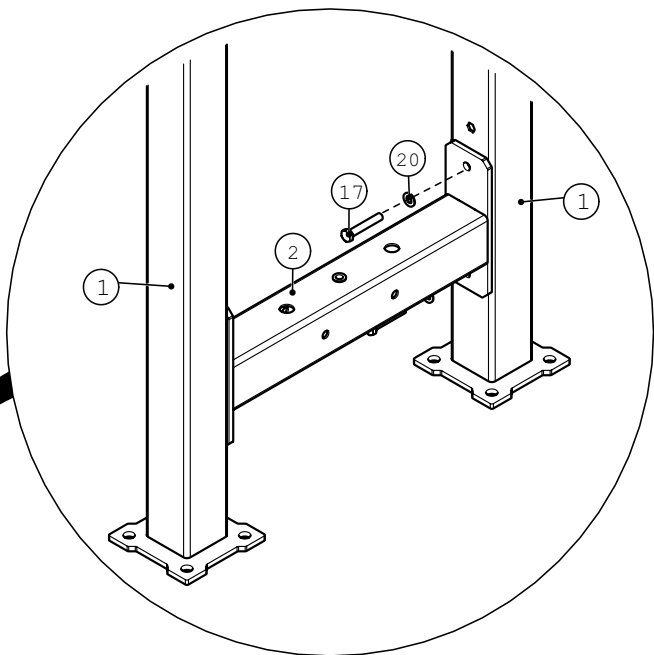
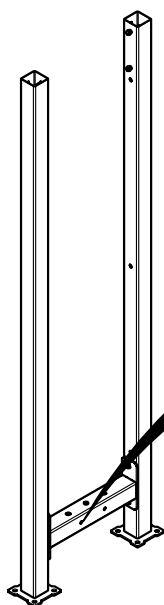


Position 31

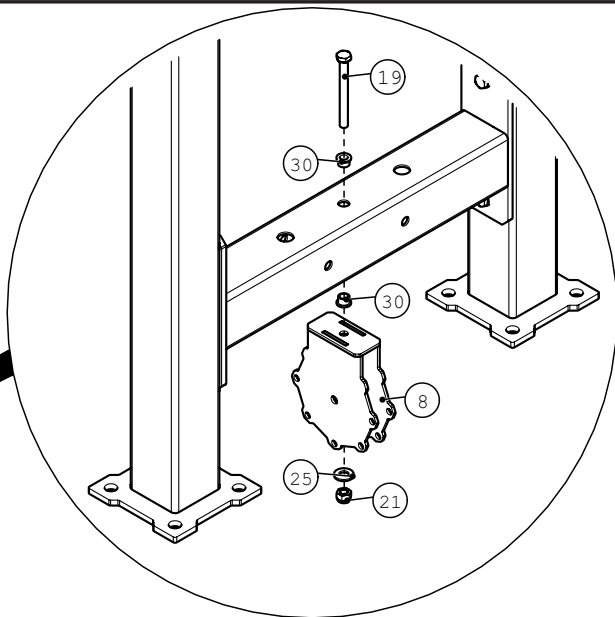
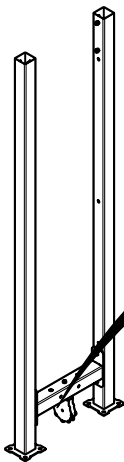
Cable Termination

Assembly instruction:

STEP: 1

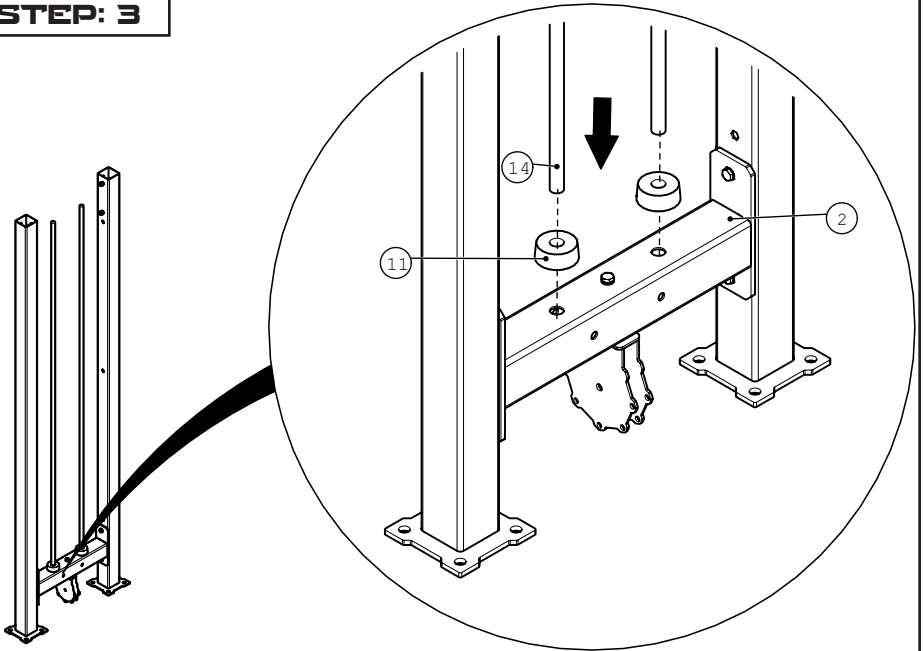


STEP: 2

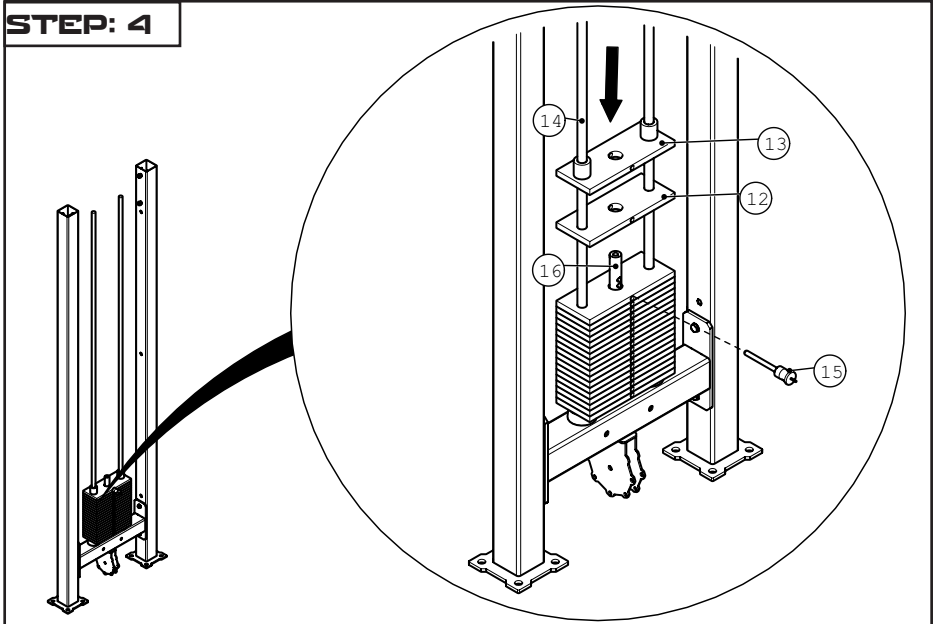


Assembly instruction:

STEP: 3

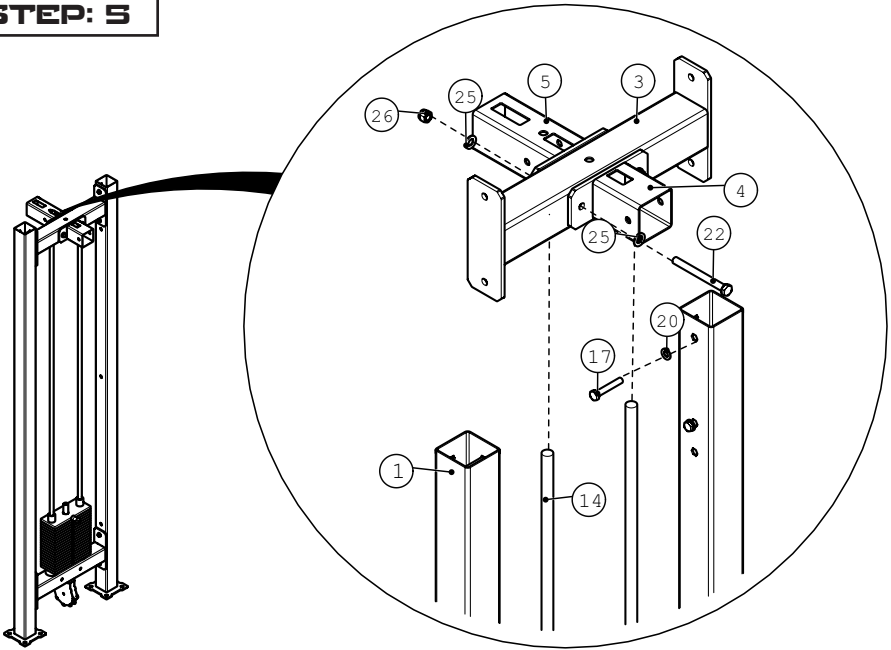


STEP: 4

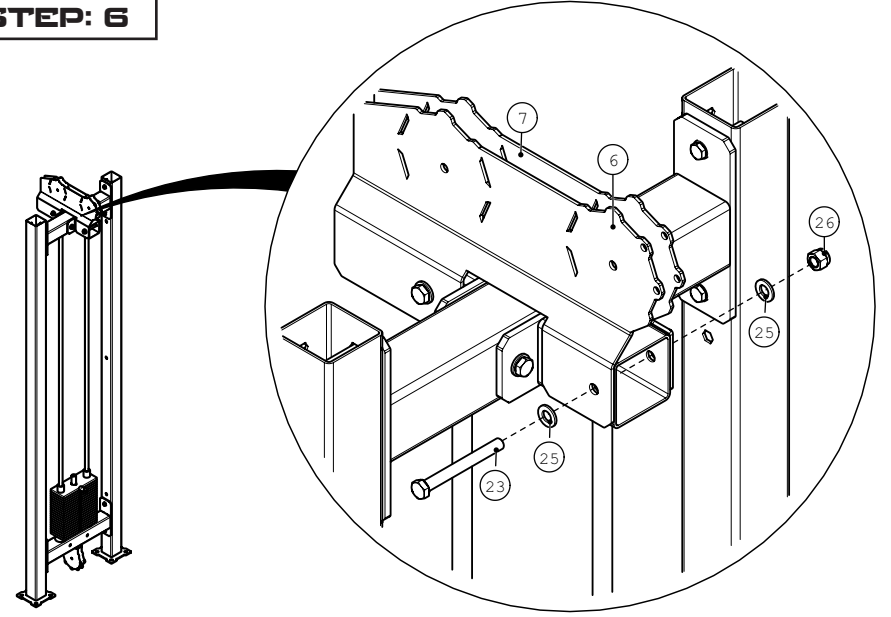


Assembly instruction:

STEP: 5

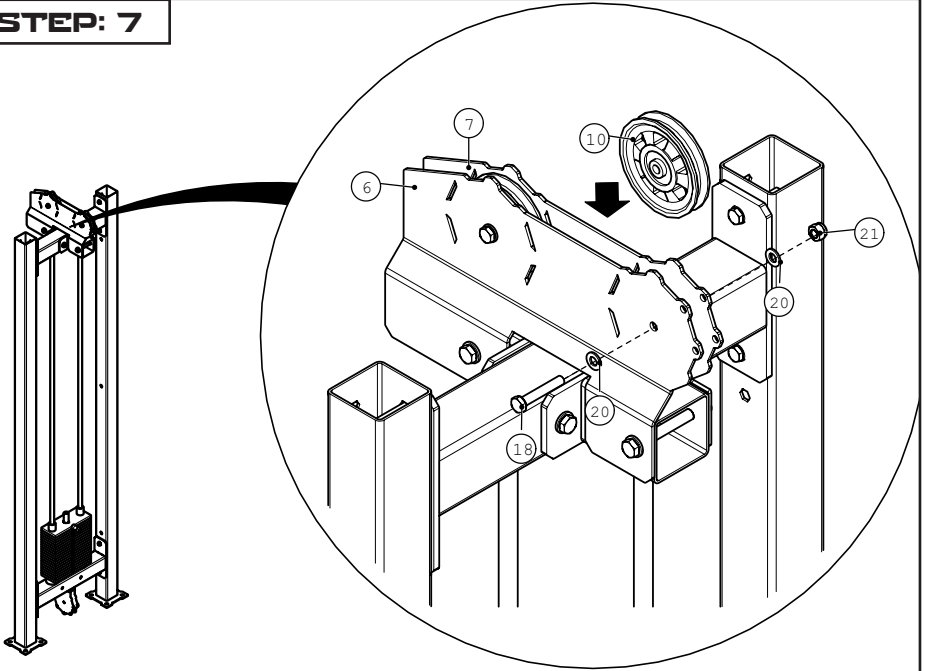


STEP: 6

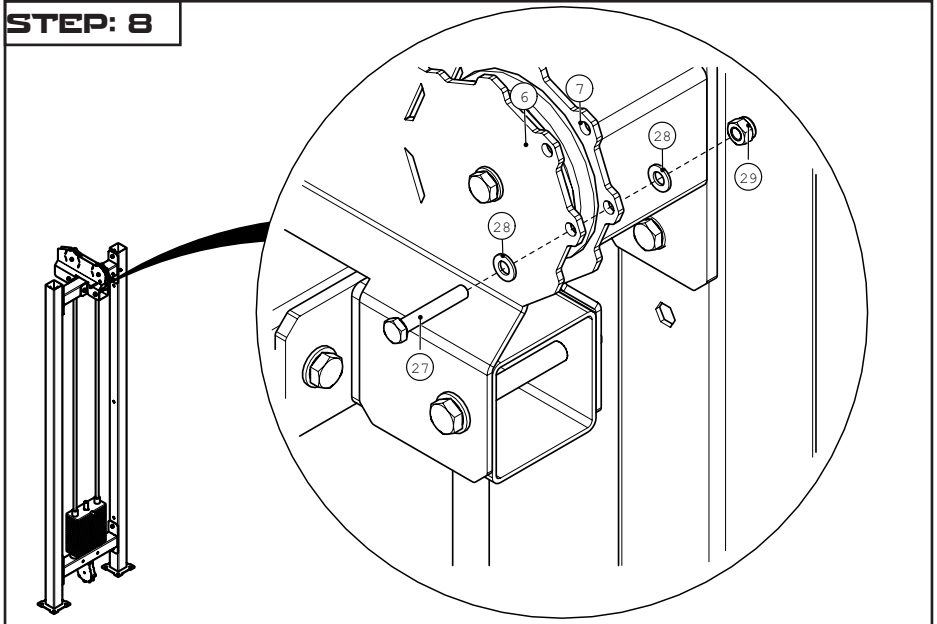


Assembly instruction:

STEP: 7

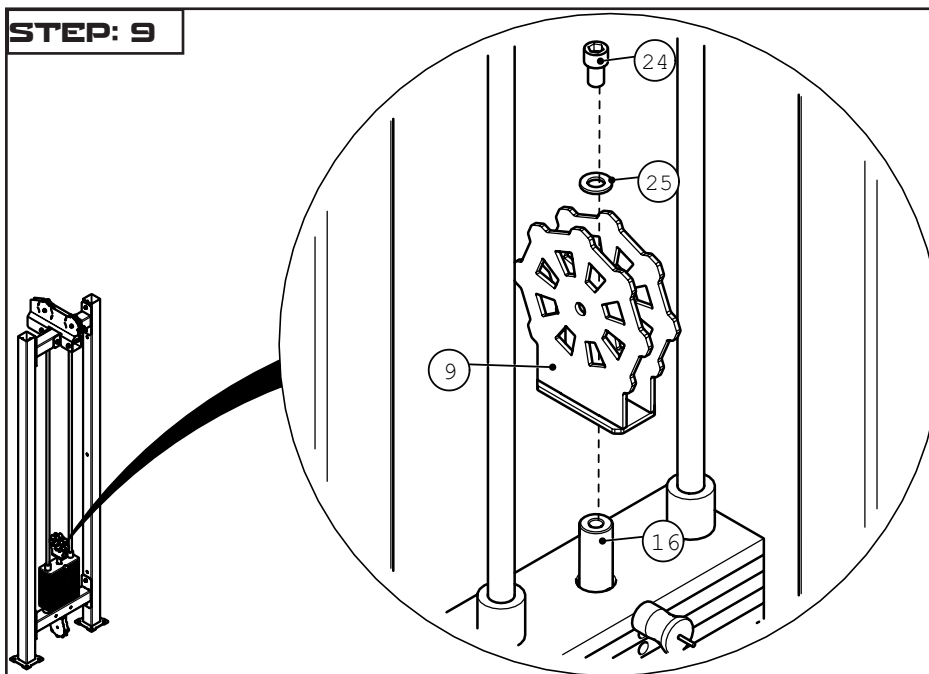


STEP: 8

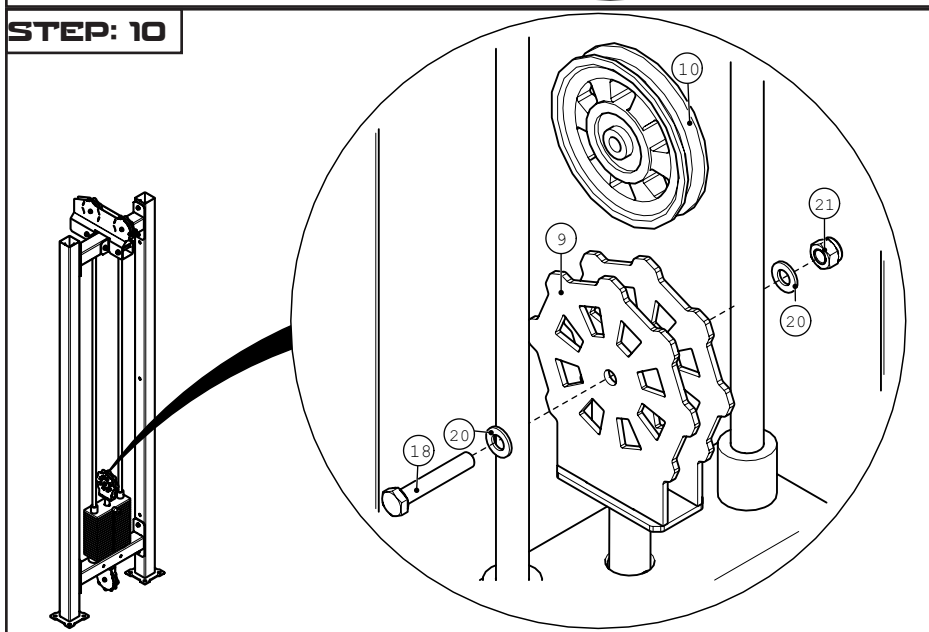


Assembly instruction:

STEP: 9

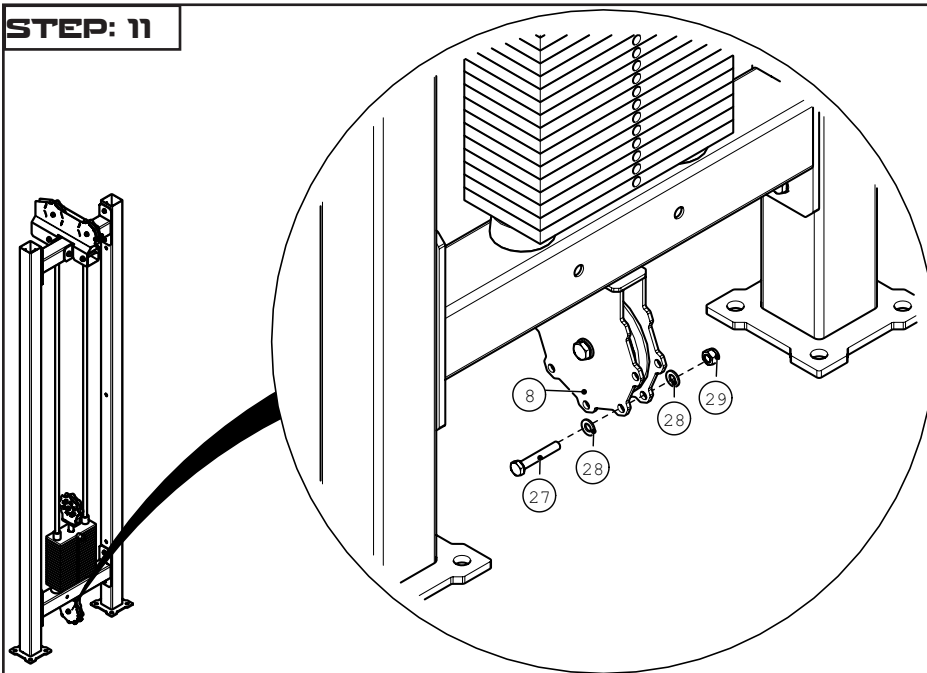


STEP: 10



Assembly instruction:

STEP: 11



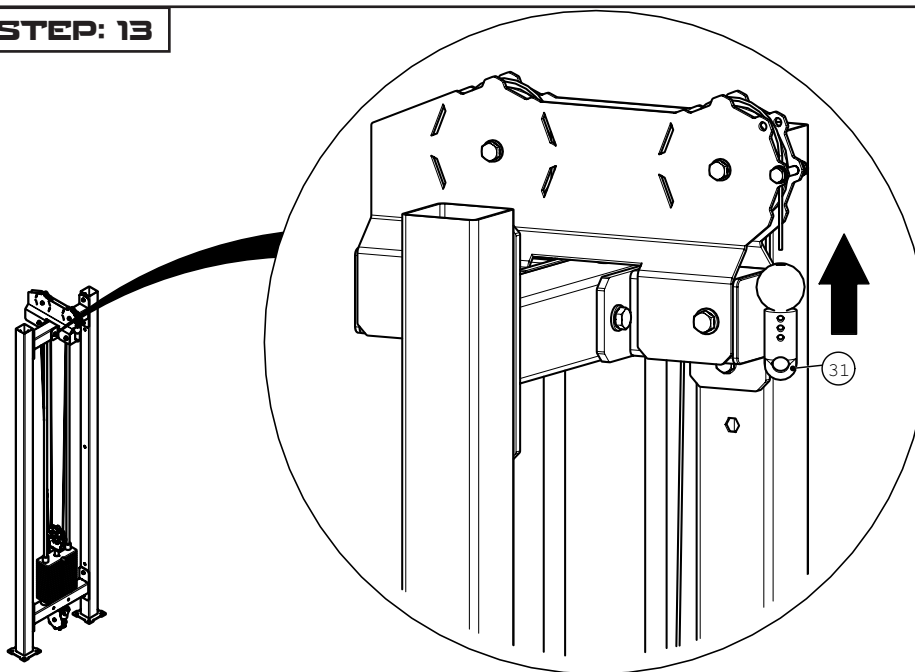
STEP: 12



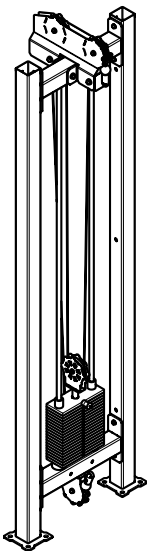
**cable
path**

Assembly instruction:

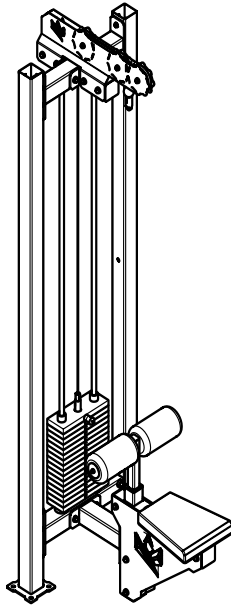
STEP: 13



STEP: 14



Drawbridge Tower (Lat Pull)



KingsBox®
BUILDING BETTER HUMANS

ATTENZIONE!

Se la struttura non viene fissata a terra e/o al muro, può rib-altarsi e/o provocare danni a persone o oggetti in immediata vicinanza.

I bulloni per il fissaggio del rig a muro e/o al pavimento non sono inclusi nel pacco, in quanto per diversi tipi di muro e pavimentazione bisogna utilizzare diversi tipi di bulloni d'ancoraggio.

OPOZORILO!

Če se struktura prevrne, lahko pride do resnih telesnih poškodb. Da bi preprečili nevarnost, da se ta struktura prevrne, mora biti pritrjena na steno in / ali v tla.

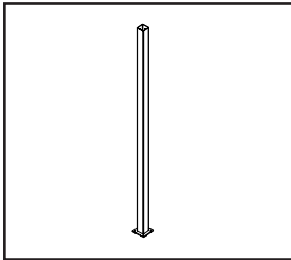
Vijaki za pritrjevanje strukture na steno oz. tla niso priloženi, saj različne sestave zidov oz. tal zahtevajo različne vrste pritrdilnih elementov. Uporabite take, ki ustrezajo sestavi vaše stene oz. tal.

WARNING!

If the structure is not secured to the ground and / or to the wall, it may overturn and / or cause damage to person or object in the immediate vicinity.

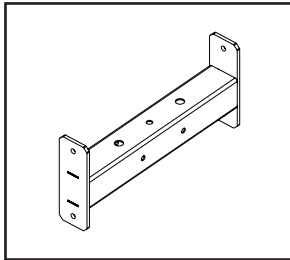
The fixing bolts for wall and / or floor are not included in the pack-age, since different types of anchor bolts must be used for different wall / floor types.

Assembly elements:



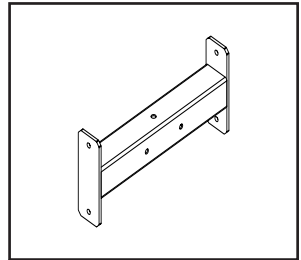
Position 1

**Pulley Tower
Upright**



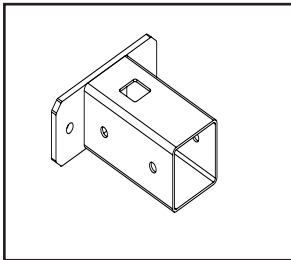
Position 2

**PT_connecting
profile_bottom**



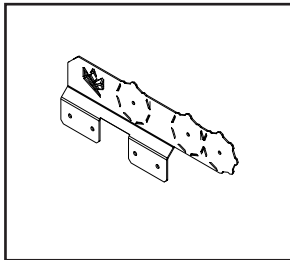
Position 3

**Pulley Tower_
connecting profile**



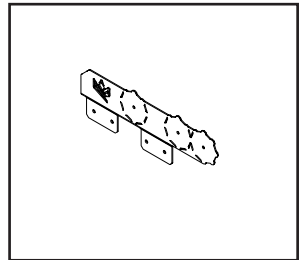
Position 4

**PT_Lat Pull Profile
Up**



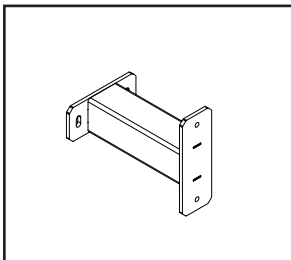
Position 5

PT_Lat Pull plate_L



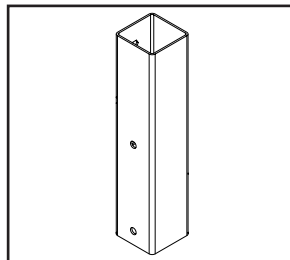
Position 6

PT_Lat Pull plate_D



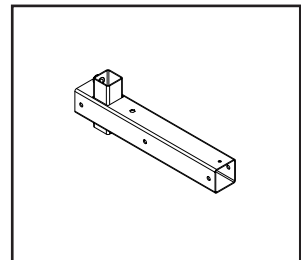
Position 7

**PT_Lat Pull Profile_
Bottom**



Position 8

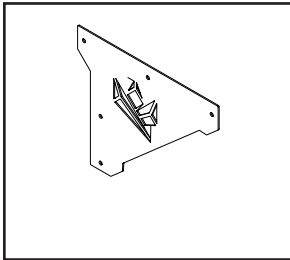
**PT_Lat Pull_seat
profile_vertical**



Position 9

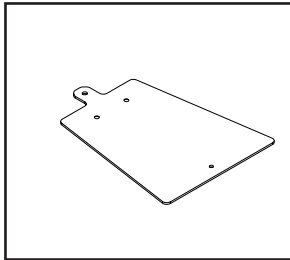
**PT_Lat Pull_seat
profile_horizontal**

Assembly elements:



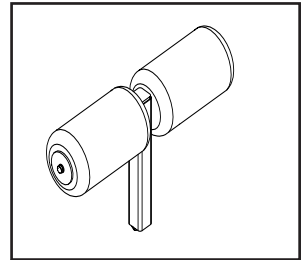
Position 10

**PT_seat
construction plate**



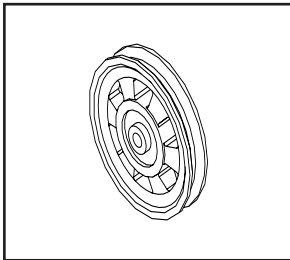
Position 11

PT_seat plate



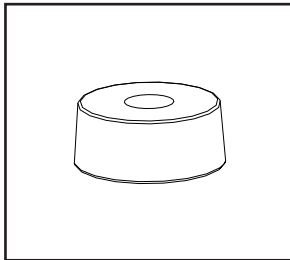
Position 12

Leg Holder



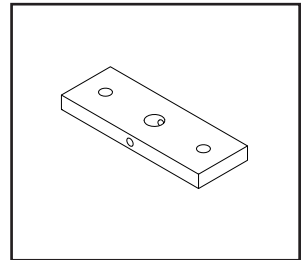
Position 13

Belt Pulley f114



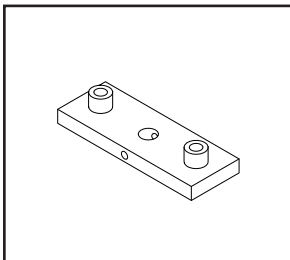
Position 14

WS_Rubber Cushion



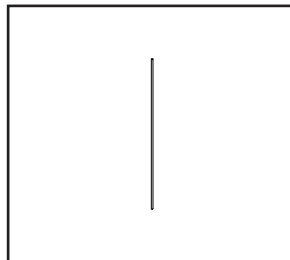
Position 15

Weight Stack



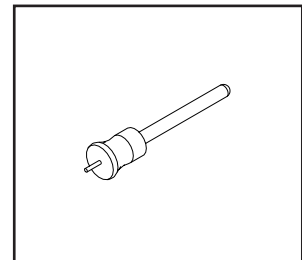
Position 16

WS_Top Plate



Position 17

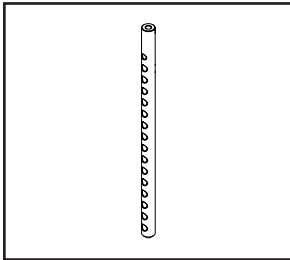
WS_Guide Rod



Position 18

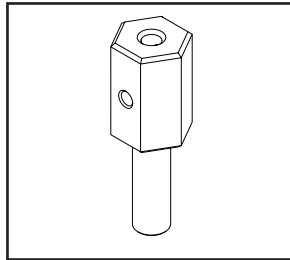
WS_Pin

Assembly elements:



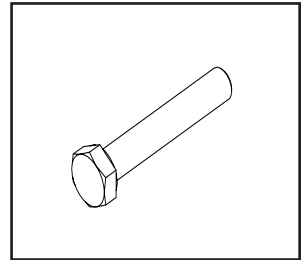
Position 19

**WS_Selector
Bar_80KG**



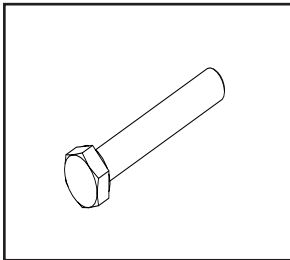
Position 20

**Cable Termination_
Thread**



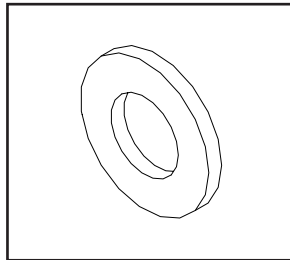
Position 21

M10x40



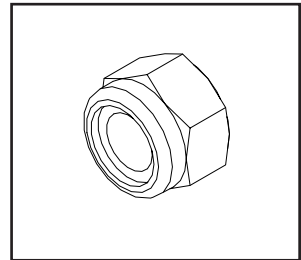
Position 22

M10x60



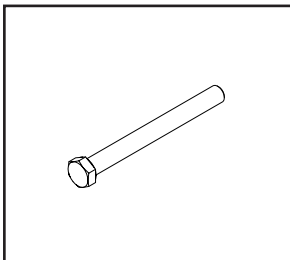
Position 23

M10 Washer



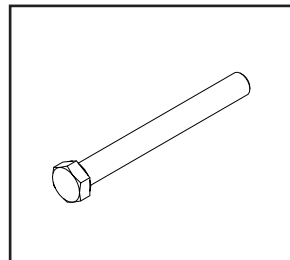
Position 24

M10 Nut



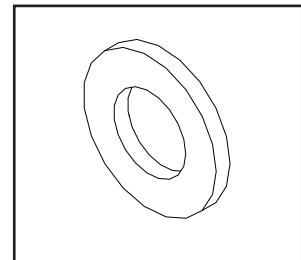
Position 25

M12x120



Position 26

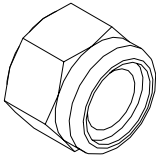
M12x110



Position 27

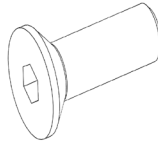
M12 Washer

Assembly elements:



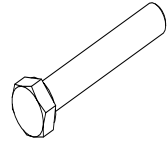
Position 28

M12 Nut



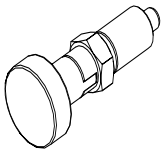
Position 29

**M8x30 flat head
imbus bolt**



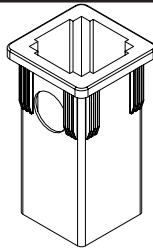
Position 30

M8x30



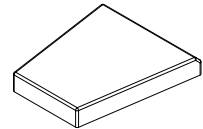
Position 31

Index Plunger



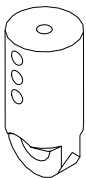
Position 32

**Profile Guide Rail
60-40**



Position 33

Adj. Back Pillow II:

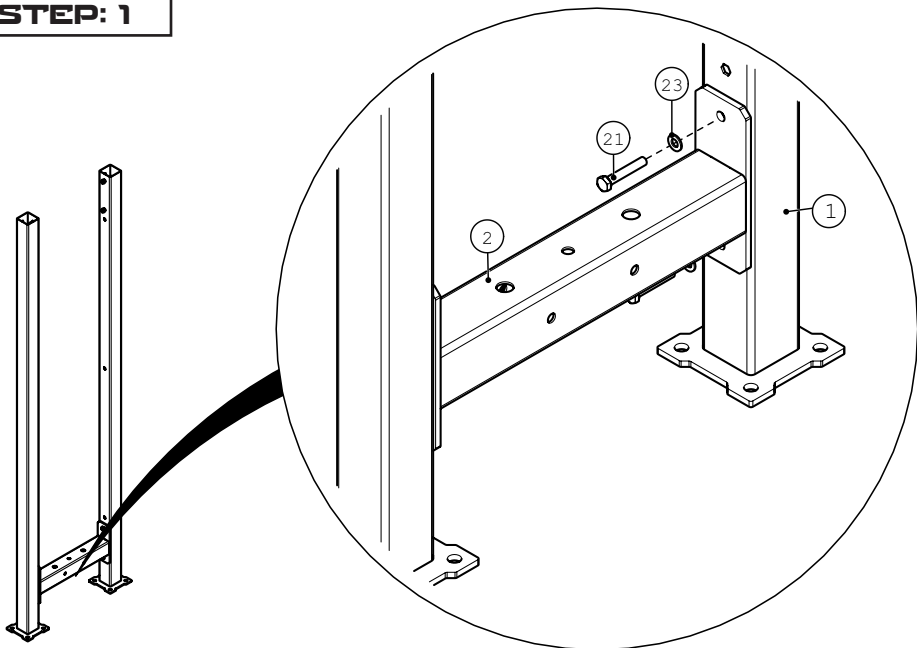


Position 34

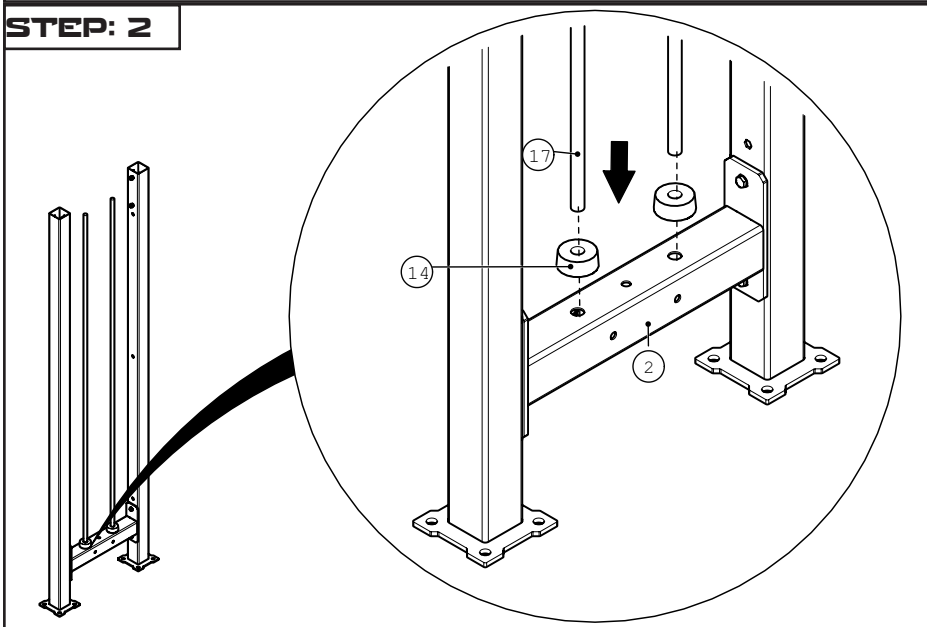
Cable Termination

Assembly instruction:

STEP: 1

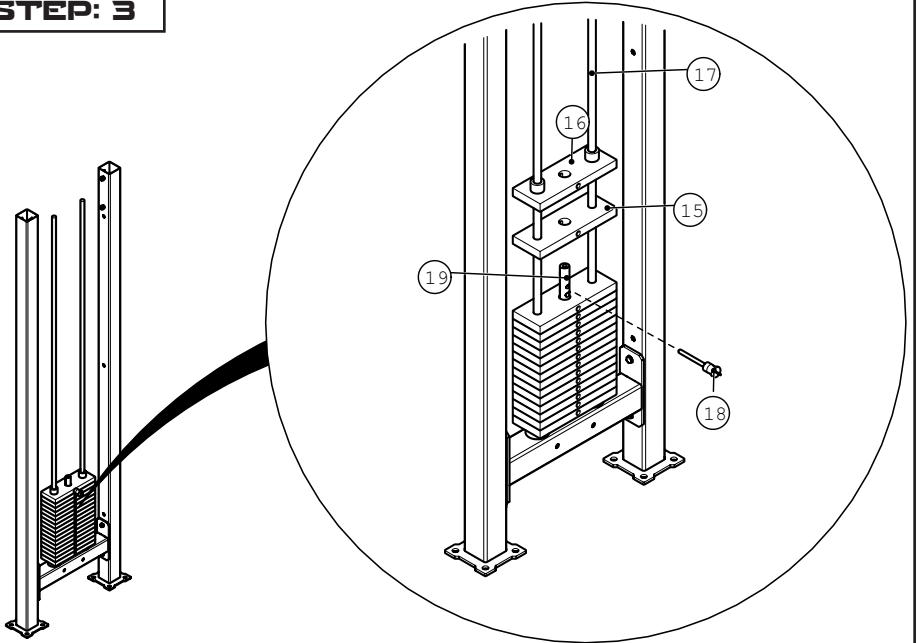


STEP: 2

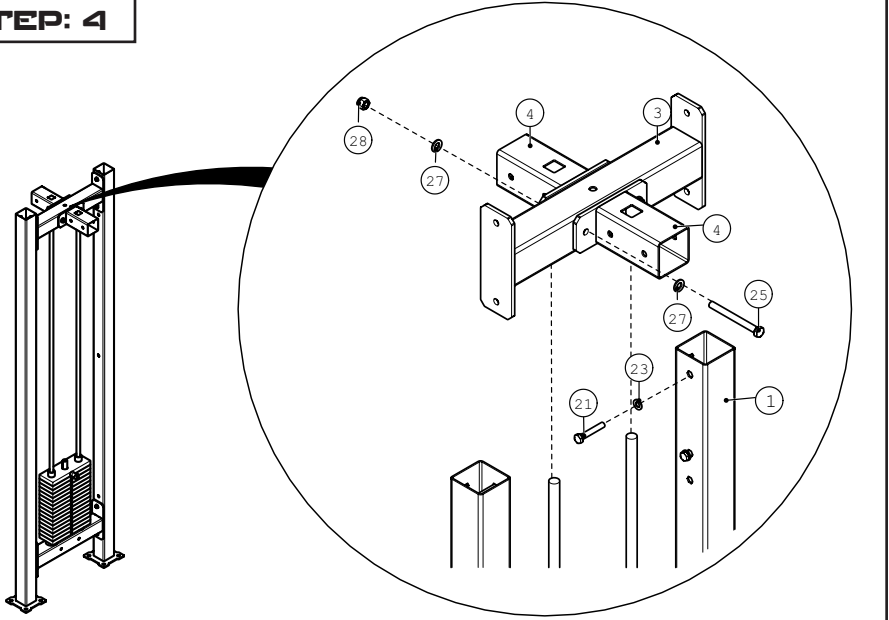


Assembly instruction:

STEP: 3

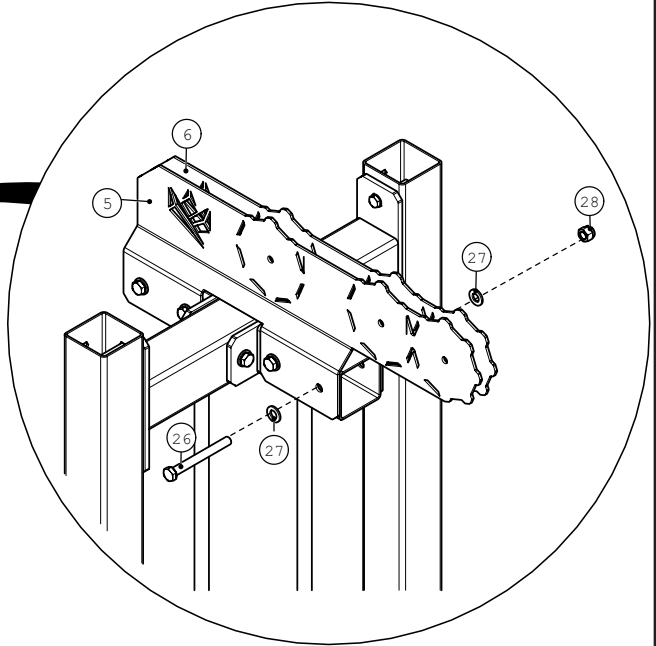
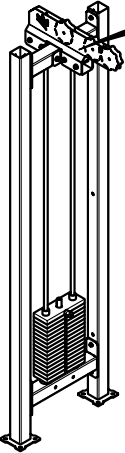


STEP: 4

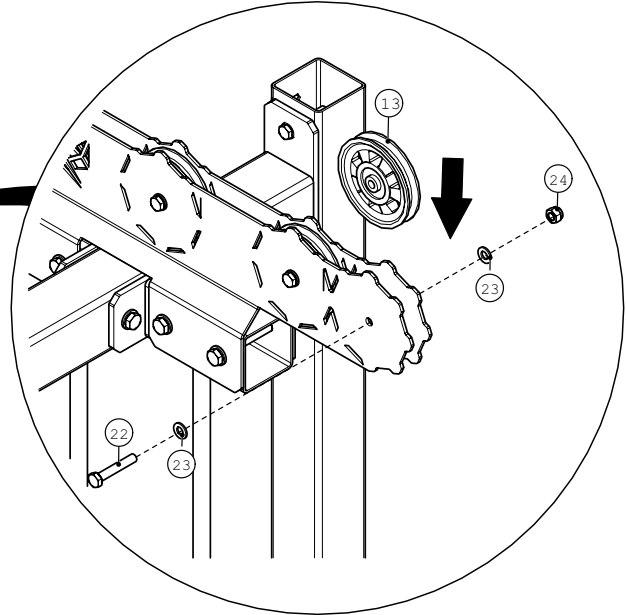
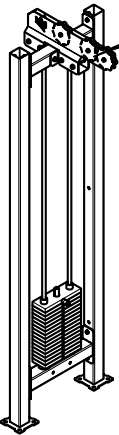


Assembly instruction:

STEP: 5

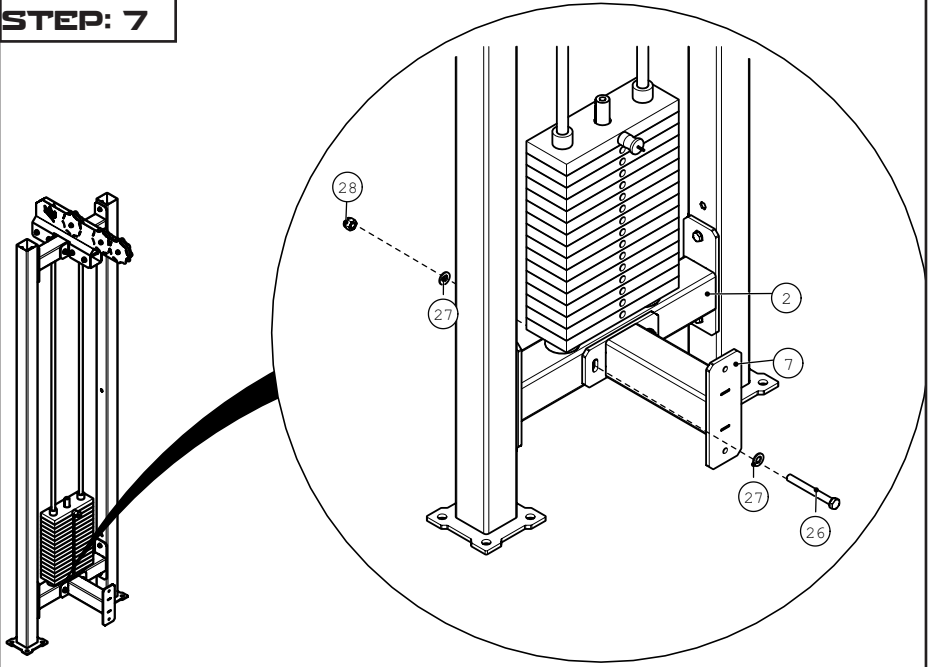


STEP: 6

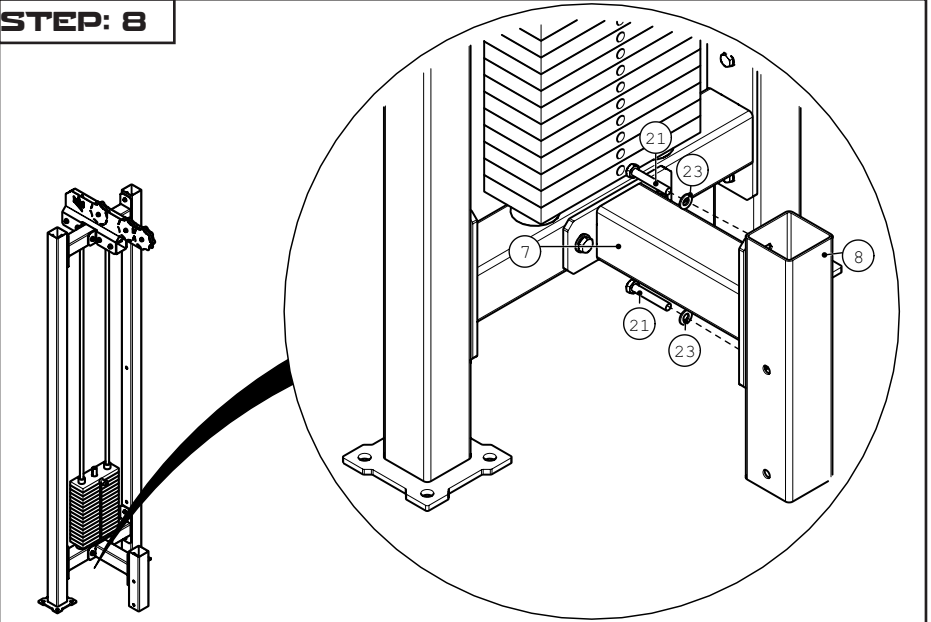


Assembly instruction:

STEP: 7

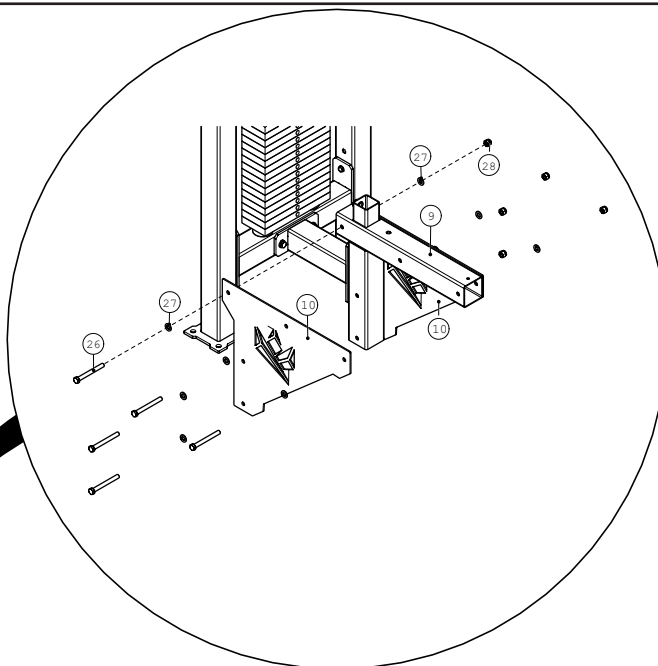
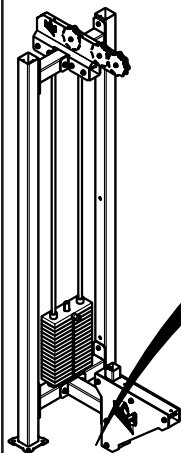


STEP: 8

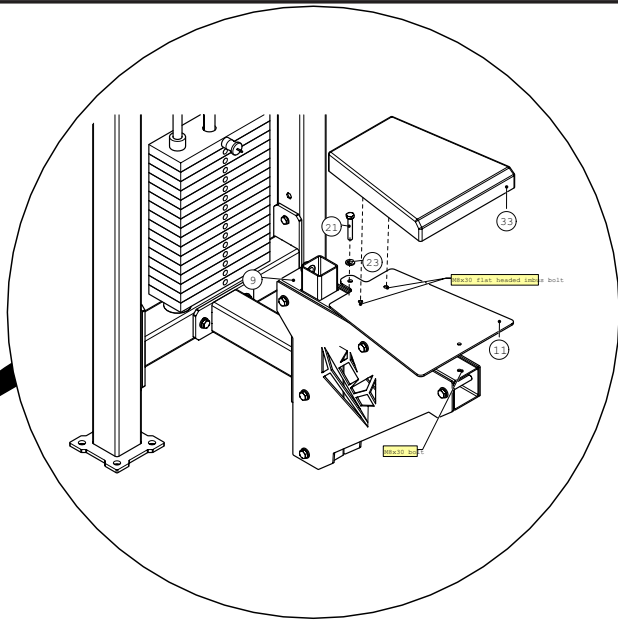
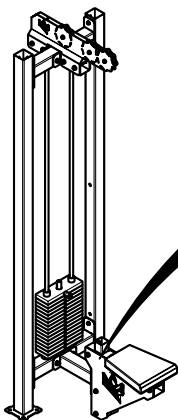


Assembly instruction:

STEP: 9

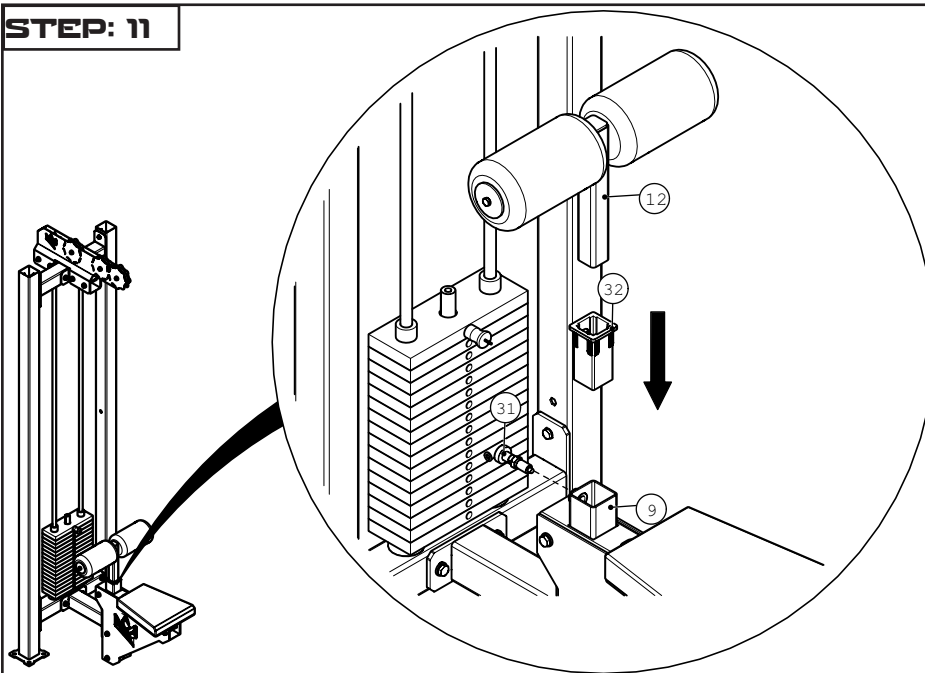


STEP: 10

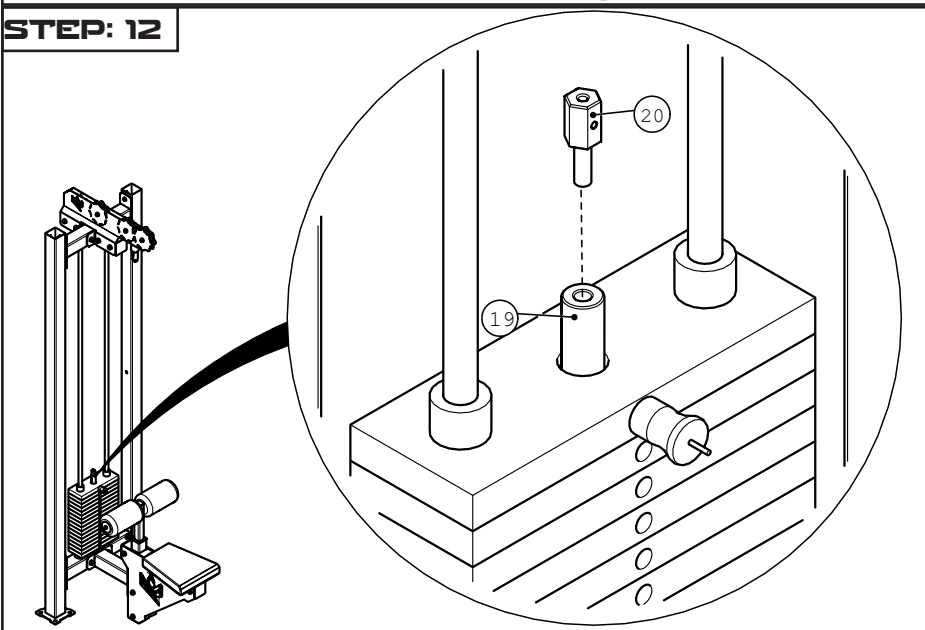


Assembly instruction:

STEP: 11

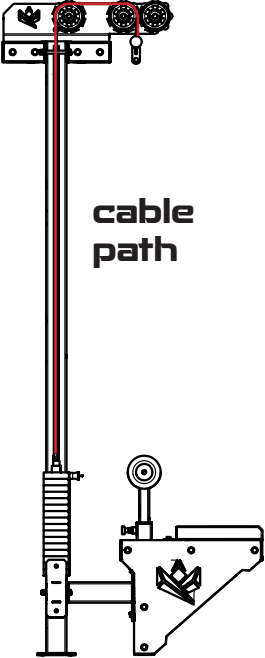


STEP: 12

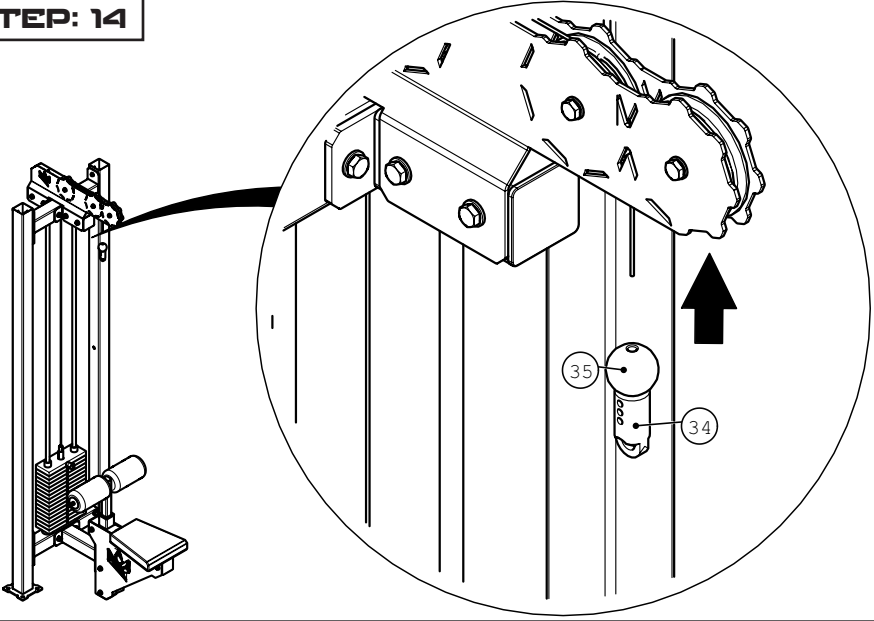


Assembly instruction:

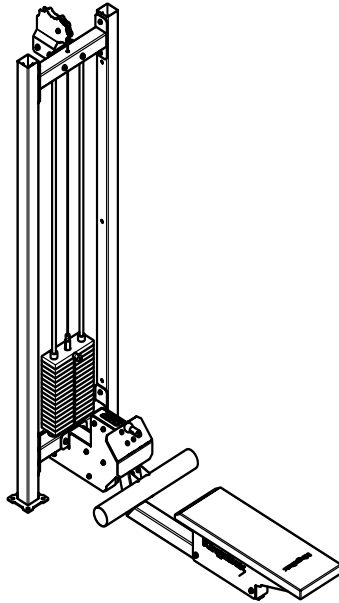
STEP: 13



STEP: 14



Ram Tower (Row Pulley)



KingsBox®
BUILDING BETTER HUMANS

ATTENZIONE!

Se la struttura non viene fissata a terra e/o al muro, può rib-altarsi e/o provocare danni a persone o oggetti in immediata vicinanza.

I bulloni per il fissaggio del rig a muro e/o al pavimento non sono inclusi nel pacco, in quanto per diversi tipi di muro e pavimentazione bisogna utilizzare diversi tipi di bulloni d'ancoraggio.

OPOZORILO!

Če se struktura prevrne, lahko pride do resnih telesnih poškodb. Da bi preprečili nevarnost, da se ta struktura prevrne, mora biti pritrjena na steno in / ali v tla.

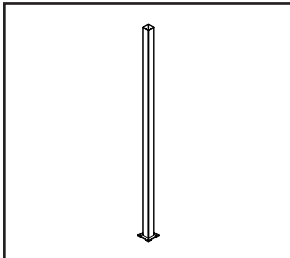
Vijaki za pritrjevanje strukture na steno oz. tla niso priloženi, saj različne sestave zidov oz. tal zahtevajo različne vrste pritrdilnih elementov. Uporabite take, ki ustrezajo sestavi vaše stene oz. tal.

WARNING!

If the structure is not secured to the ground and / or to the wall, it may overturn and / or cause damage to person or object in the immediate vicinity.

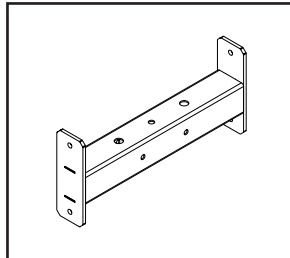
The fixing bolts for wall and / or floor are not included in the pack-age, since different types of anchor bolts must be used for different wall / floor types.

Assembly elements:



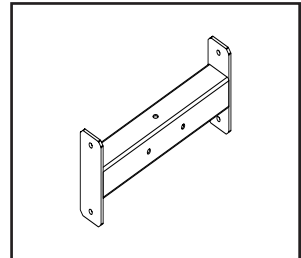
Position 1

**Pulley Tower
Upright**



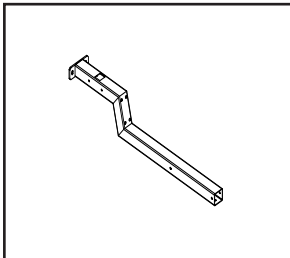
Position 2

**PT_connecting
profile_bottom**



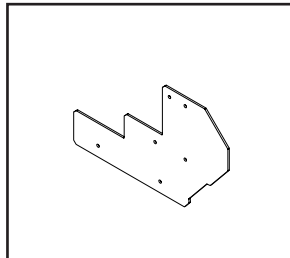
Position 3

**Pulley Tower_
connecting profile**



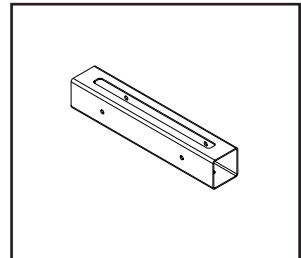
Position 4

PT_Row Profile



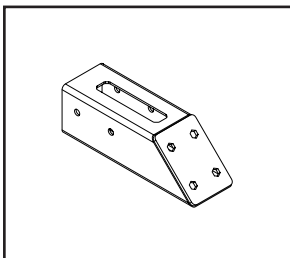
Position 5

**PT_Row Support
Plate**



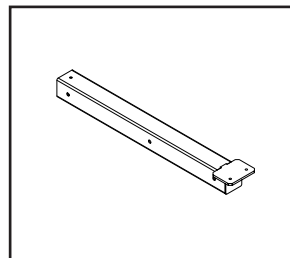
Position 6

**PT_Row Pulley
Profile**



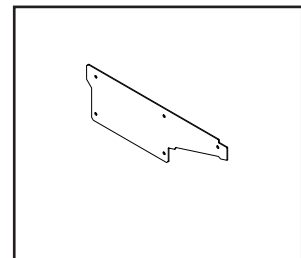
Position 7

**PT_Row Support
Profile**



Position 8

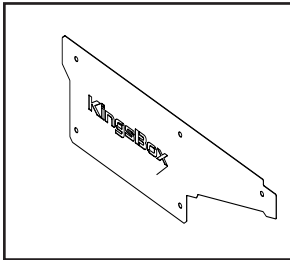
**PT_Row Bench
Profile**



Position 9

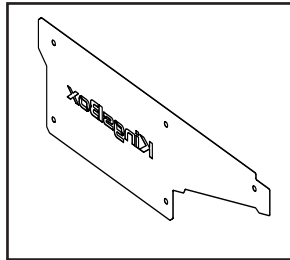
**PT_Bench
Construction Plate**

Assembly elements:



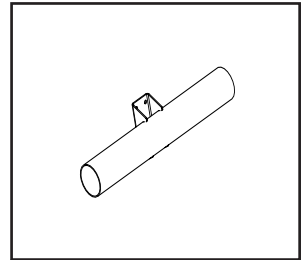
Position 10

PT_Bench Logo
Plate_L



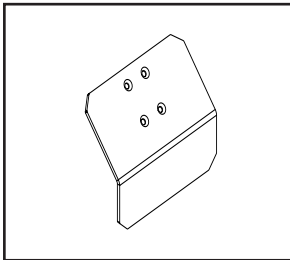
Position 11

PT_Bench Logo
Plate_D



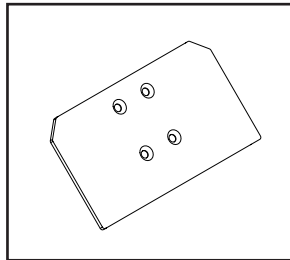
Position 12

PT_Foot Rest



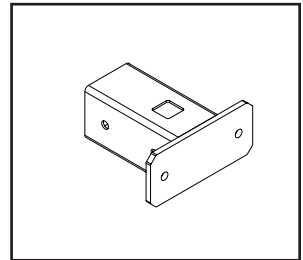
Position 13

PT_Storage Plate



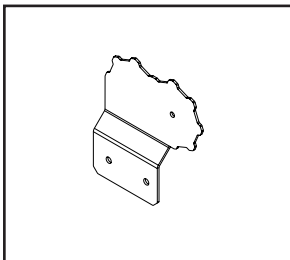
Position 14

PT_Storgae Plastic



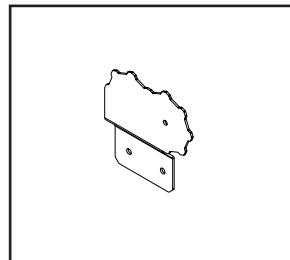
Position 15

PT_Lat Pull
Profile_UP



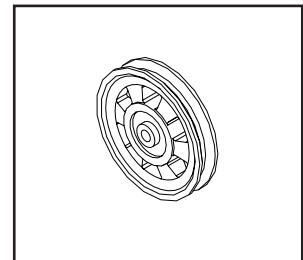
Position 16

PT_Row Plate_L



Position 17

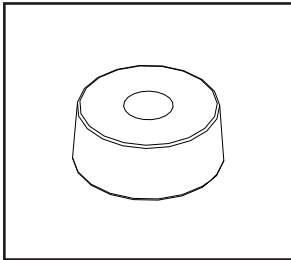
PT_Row Plate_D



Position 18

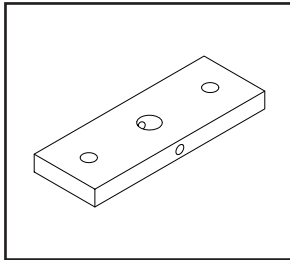
Belt Pulley f114

Assembly elements:



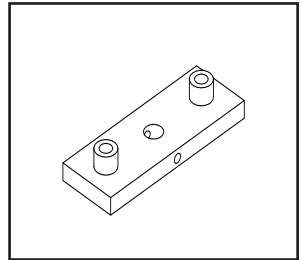
Position 19

WS_Rubber Cushion



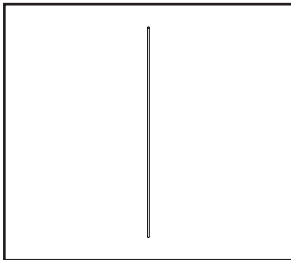
Position 20

Weight Stack



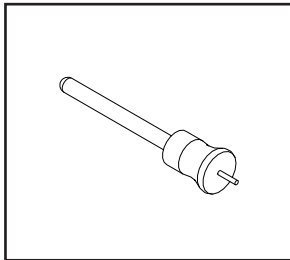
Position 21

WS_Top Plate



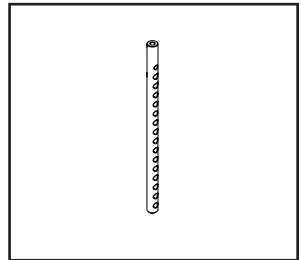
Position 22

WS_Guide Rod



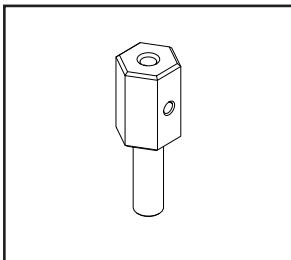
Position 23

WS_Pin



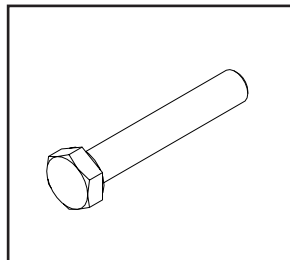
Position 24

**WS_Selector
Bar_80KG**



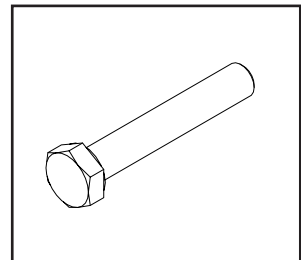
Position 25

**Cable Tehrmination_
Thread M12**



Position 26

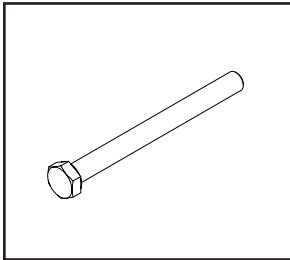
M10x40



Position 27

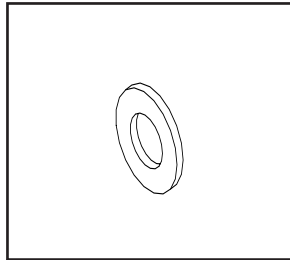
M10x60

Assembly elements:



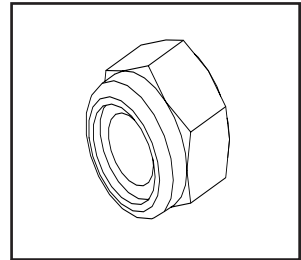
Position 28

M10x110



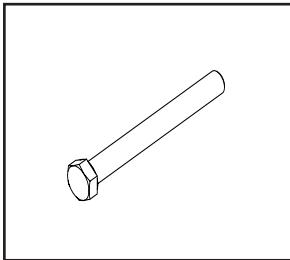
Position 29

M10 Washer



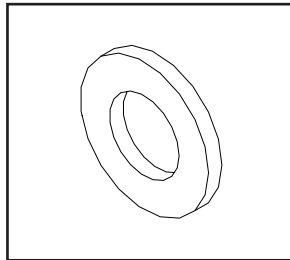
Position 30

M10 Nut



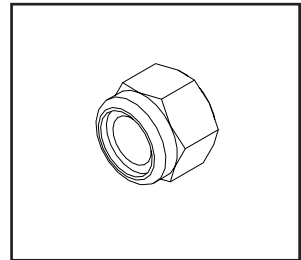
Position 31

M12x110



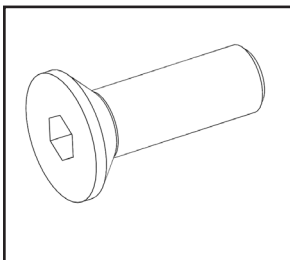
Position 32

M12 Washer



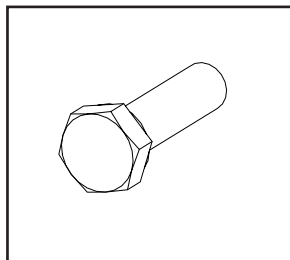
Position 33

M12 Nut



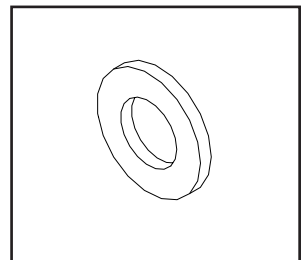
Position 34

**M3x30 flat head
imbus**



Position 35

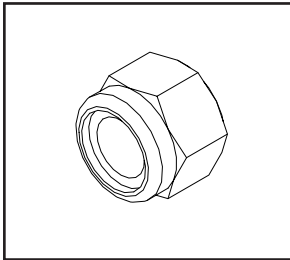
M8x30



Position 36

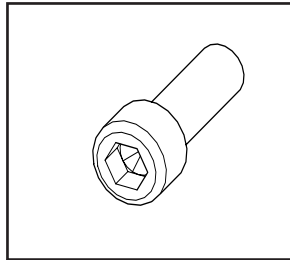
M8 Washer

Assembly elements:



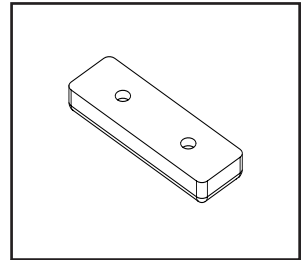
Position 37

MB Nut



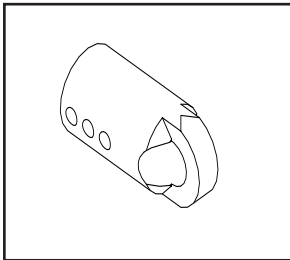
Position 38

M10x35 imbus



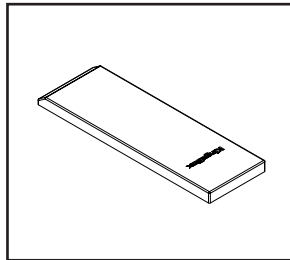
Position 39

Rubberized Mat



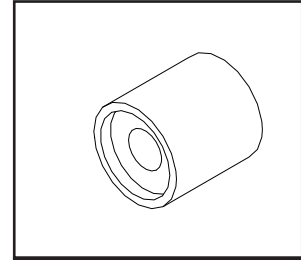
Position 40

Cable Termination



Position 41

**Adjustable Front
Pillow II.**

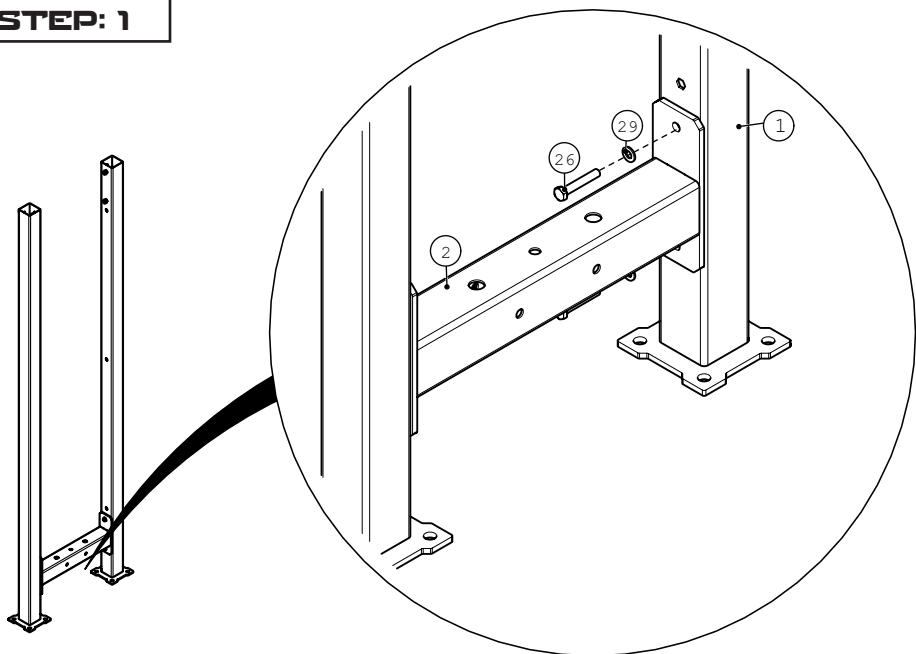


Position 41

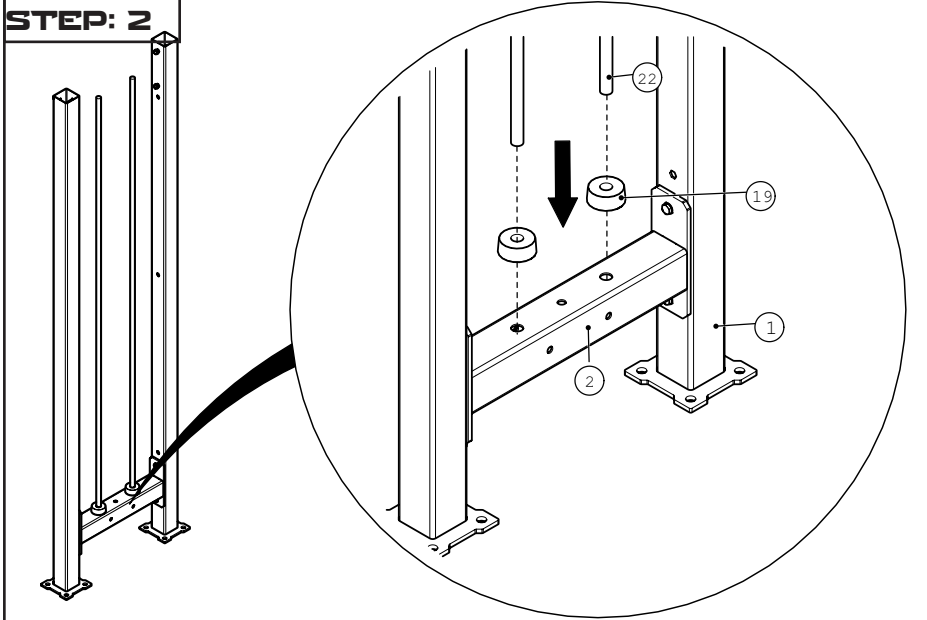
Pulley Bush fi25

Assembly instruction:

STEP: 1

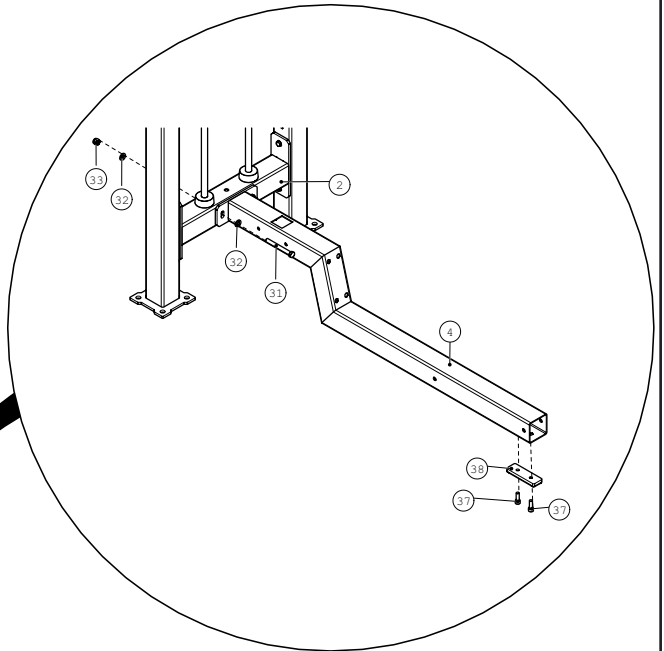
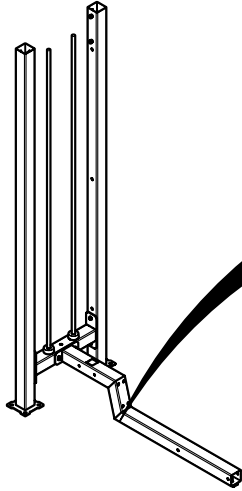


STEP: 2

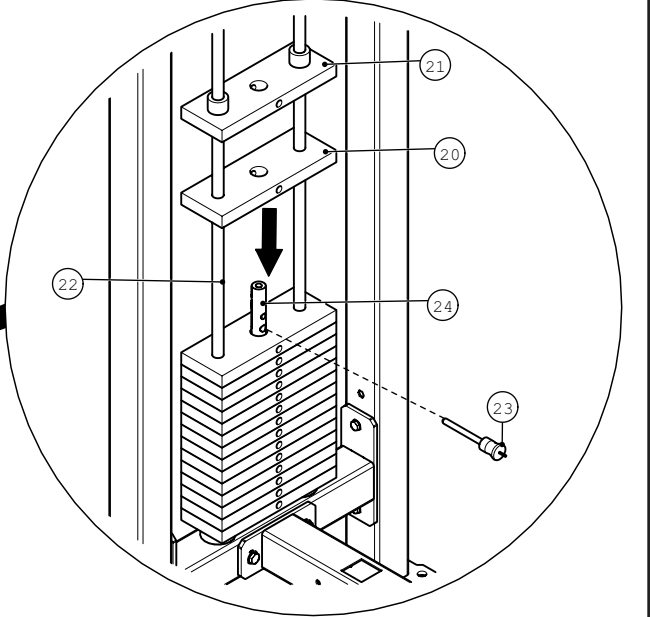
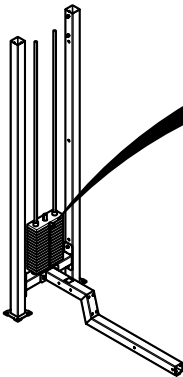


Assembly instruction:

STEP: 3

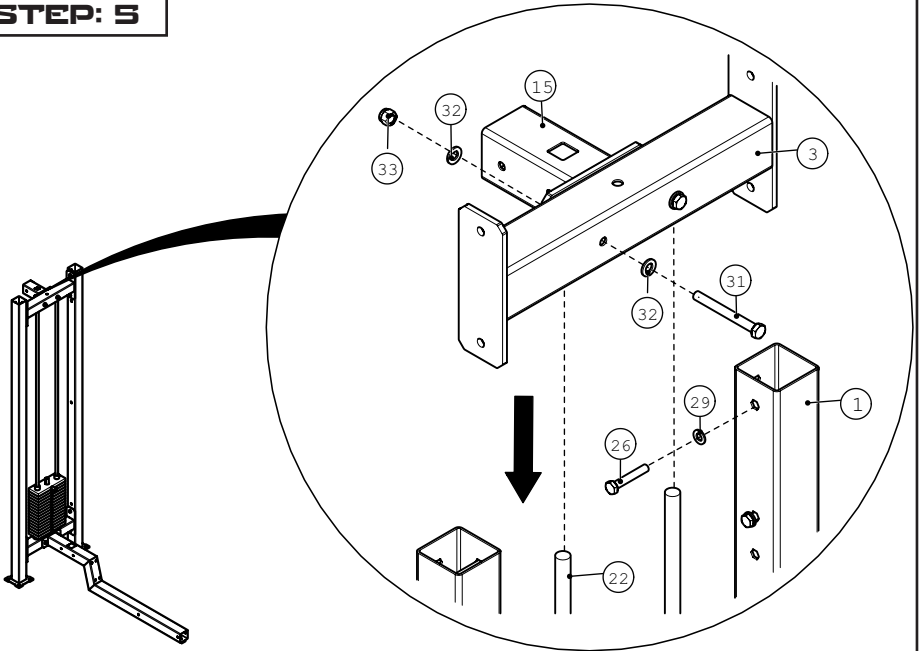


STEP: 4

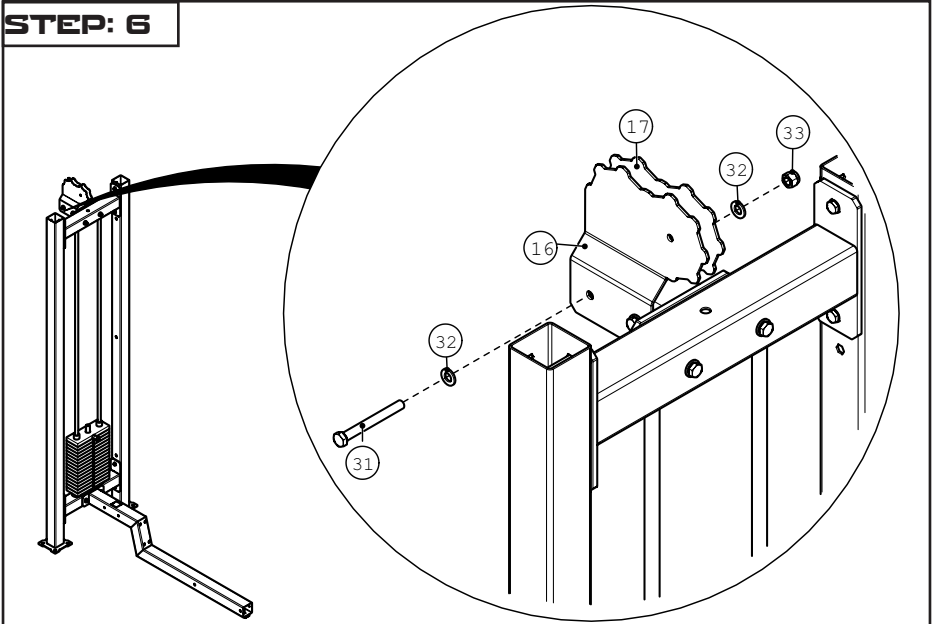


Assembly instruction:

STEP: 5

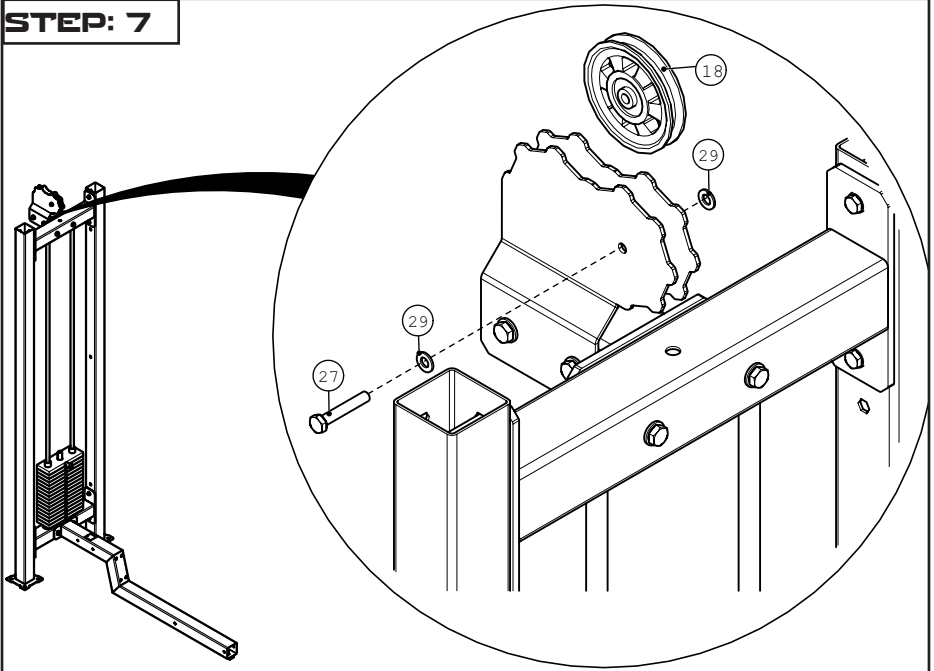


STEP: 6

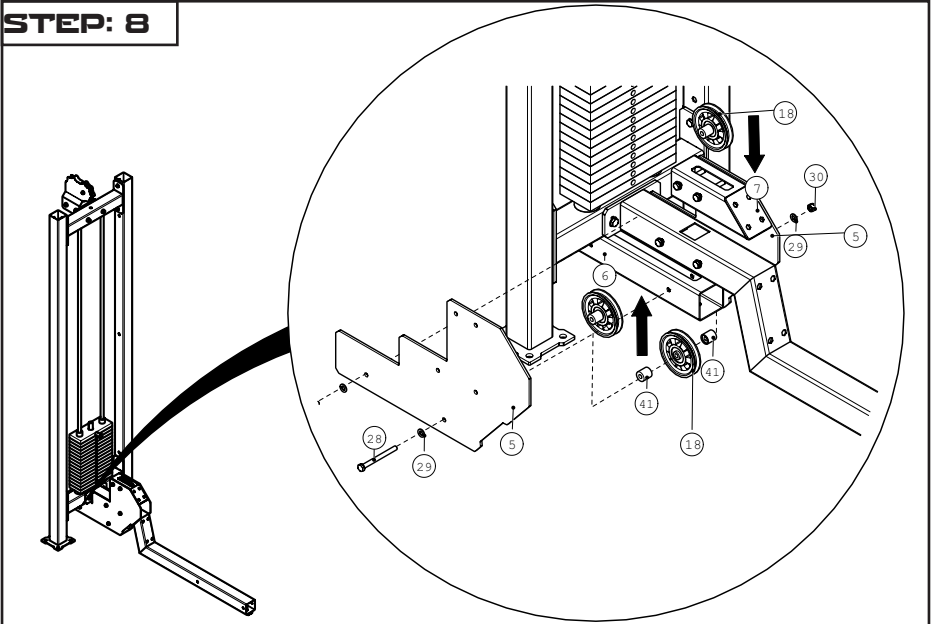


Assembly instruction:

STEP: 7

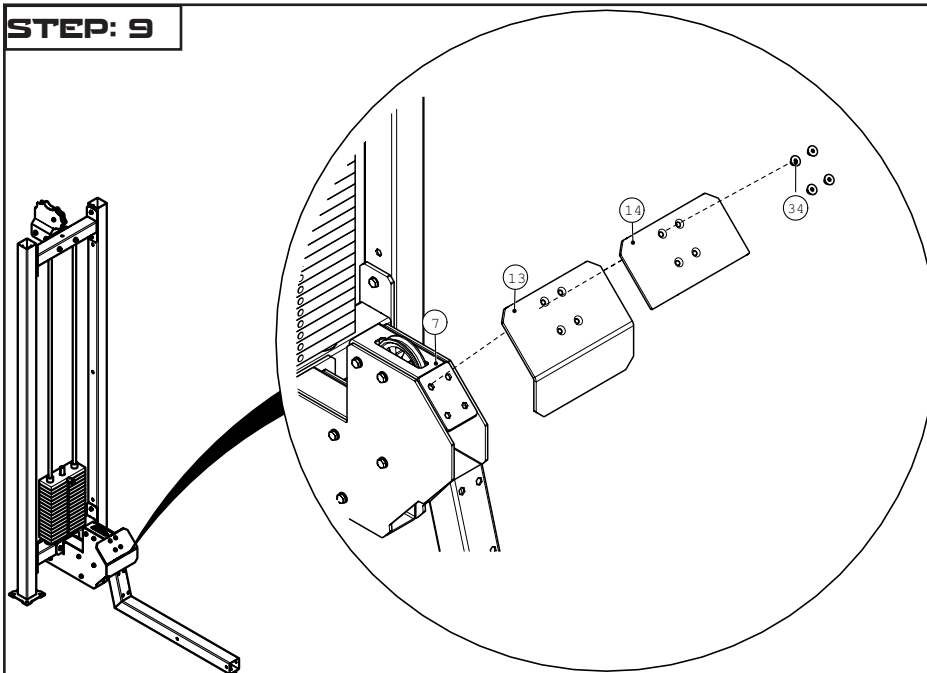


STEP: 8

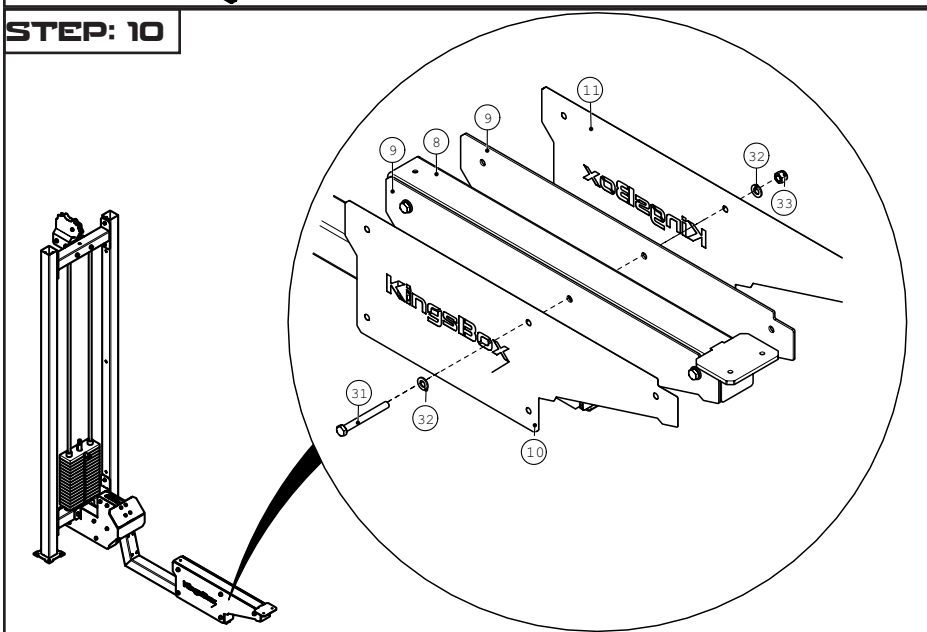


Assembly instruction:

STEP: 9

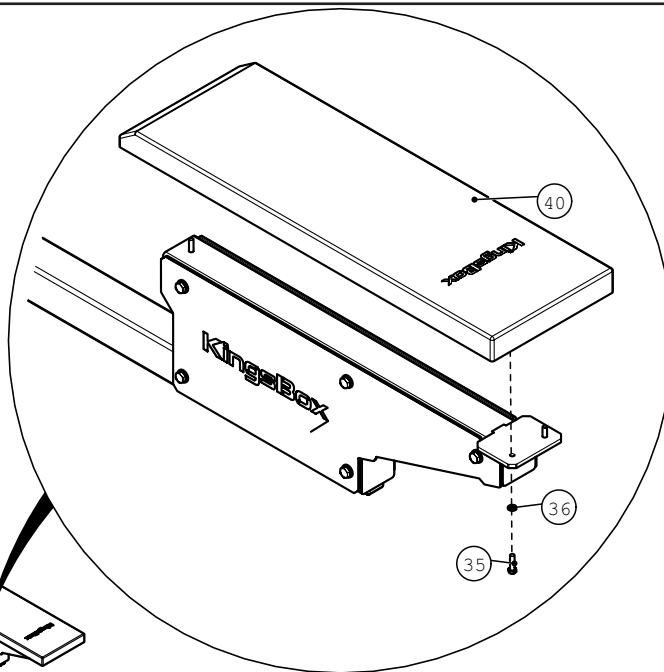
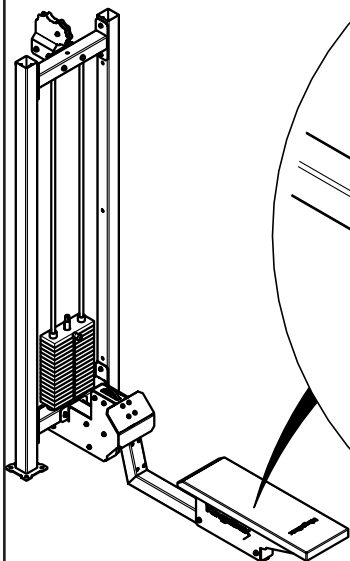


STEP: 10

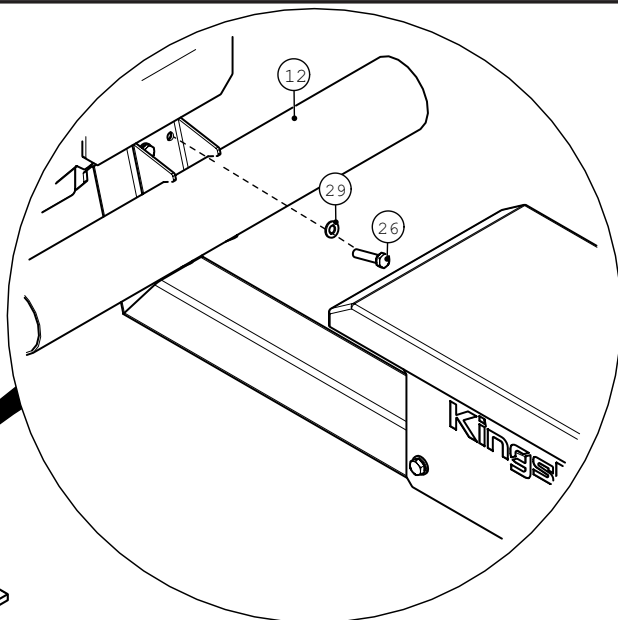
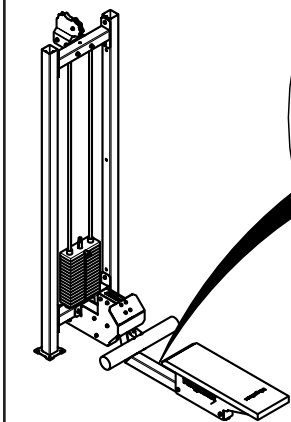


Assembly instruction:

STEP: 11

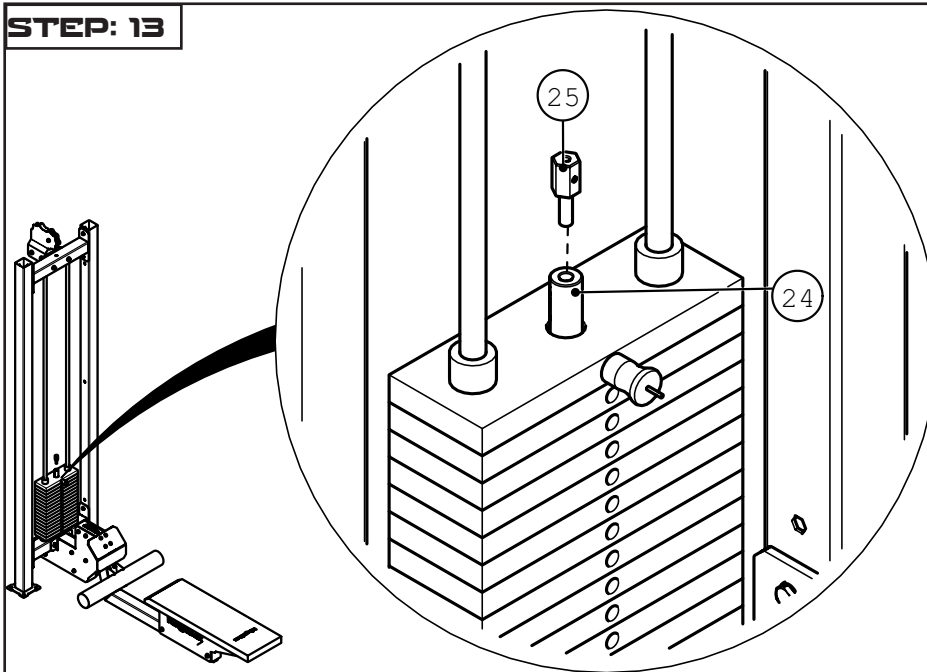


STEP: 12

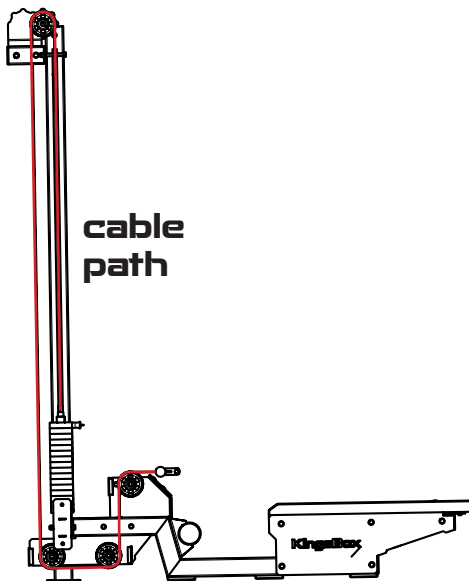


Assembly instruction:

STEP: 13

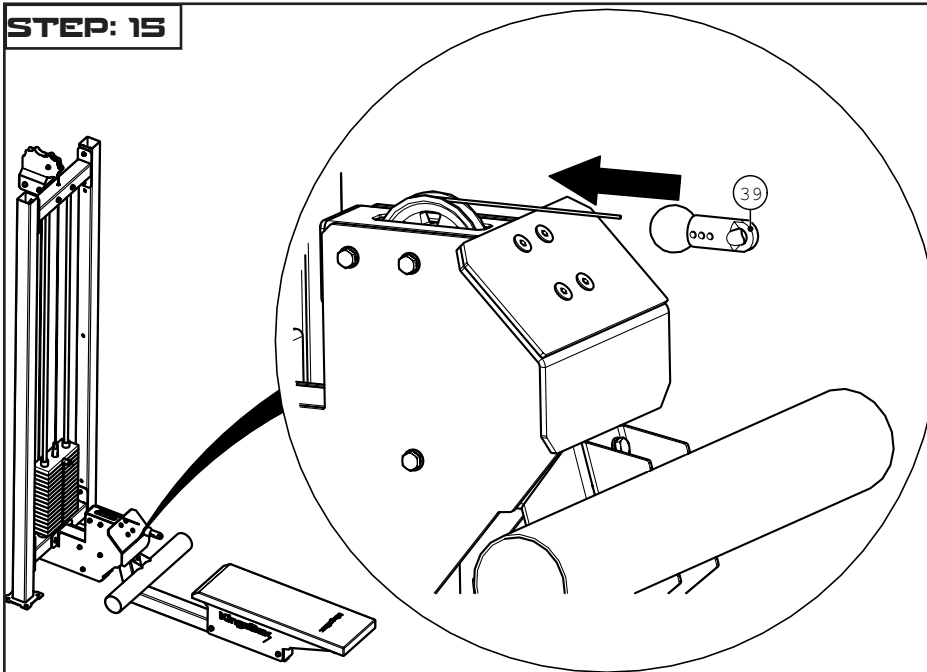


STEP: 14

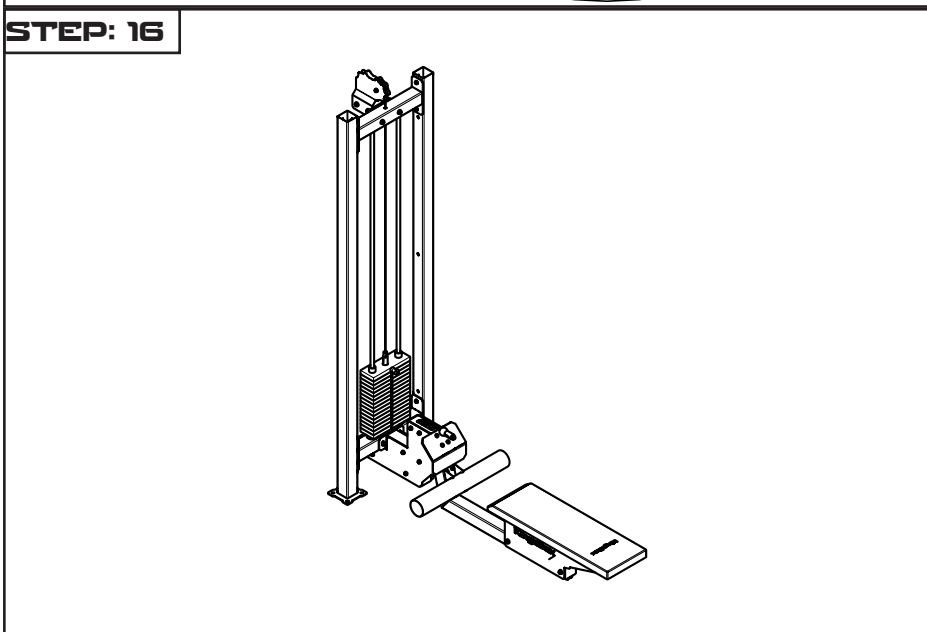


Assembly instruction:

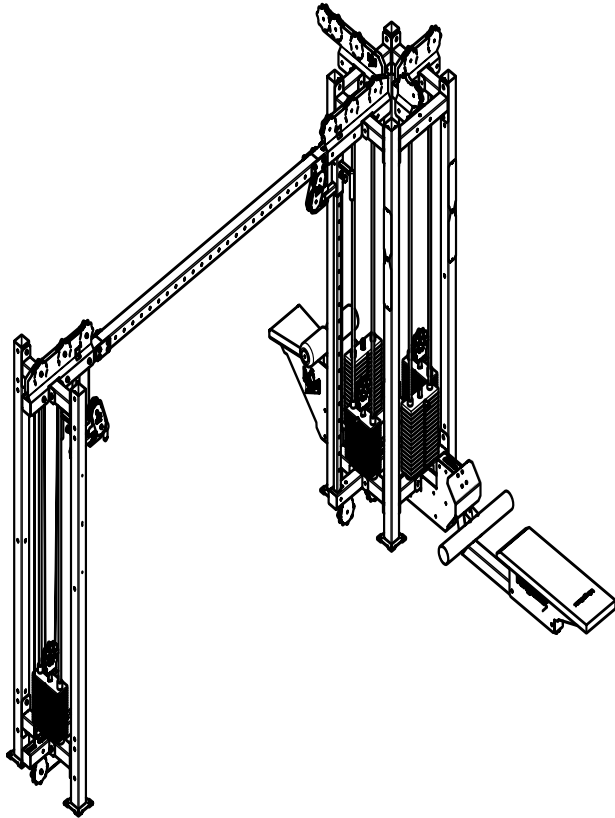
STEP: 15



STEP: 16

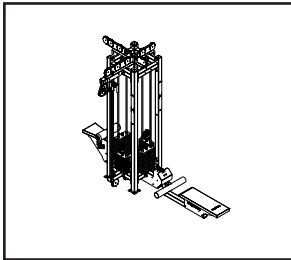


PT_Cable CrossOver



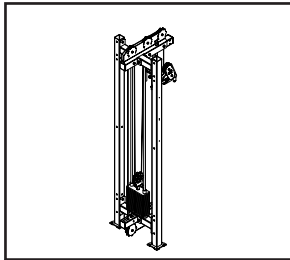
KingsBox®
BUILDING BETTER HUMANS

Assembly elements:



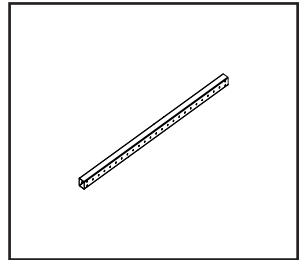
Position 1

Pulley Tower



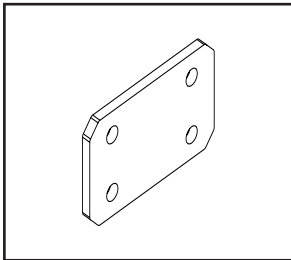
Position 2

PT_Bridge Tower



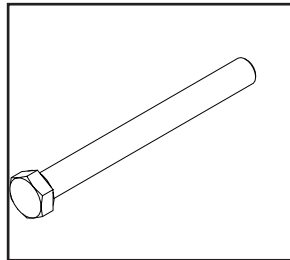
Position 3

**PT_Long Connecting
Profile**



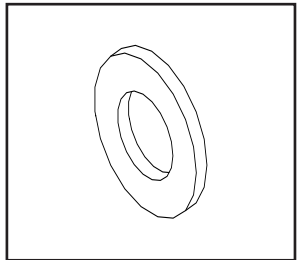
Position 4

PT_Link Plate



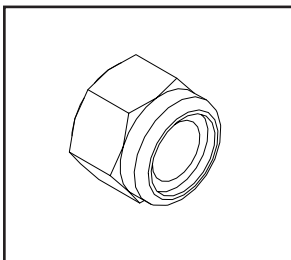
Position 5

M12x120



Position 6

M12 Washer

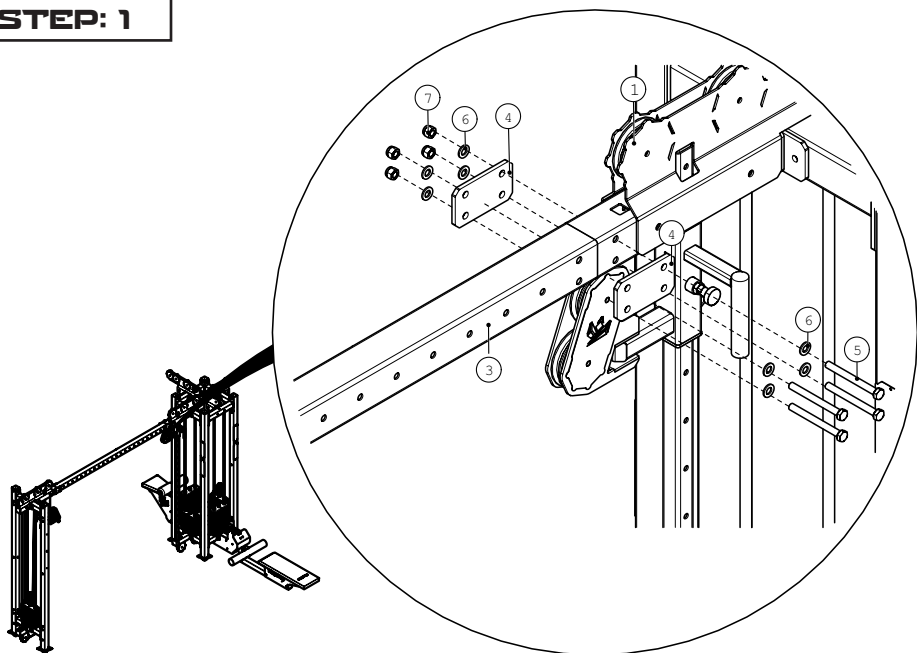


Position 7

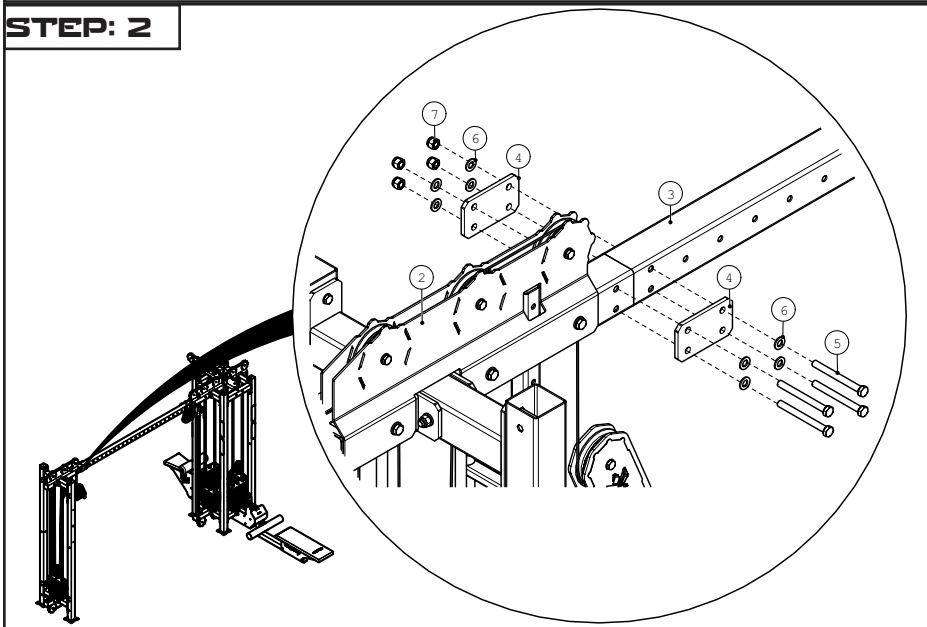
M12 Nut

Assembly instruction:

STEP: 1



STEP: 2



Assembly instruction:

STEP: 3

