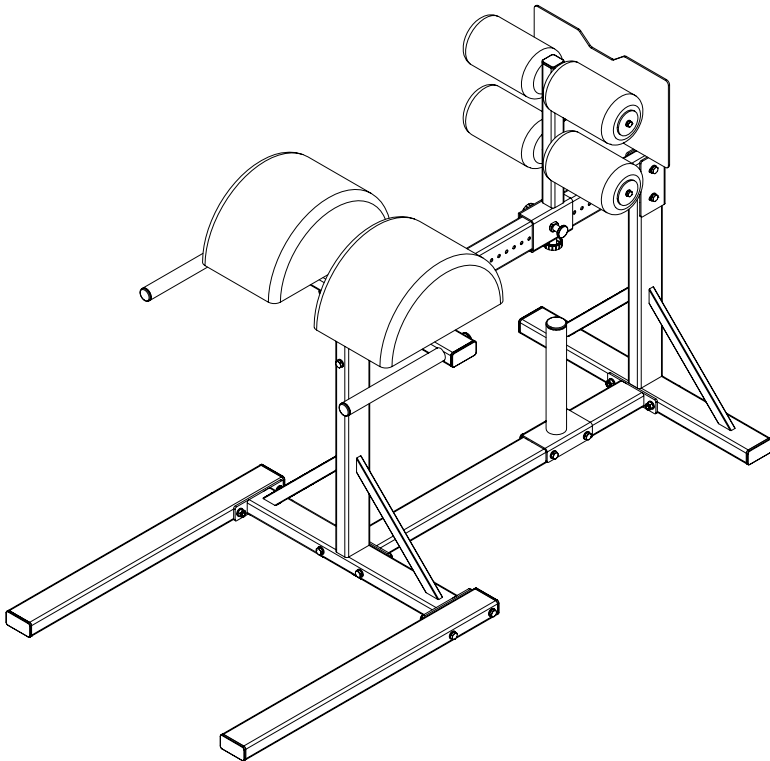


Royal GHD



KingsBox[®]
BUILDING BETTER HUMANS

ATTENZIONE!

Se la struttura non viene fissata a terra e/o al muro, può rib-altarsi e/o provocare danni a persone o oggetti in immediata vicinanza.

I bulloni per il fissaggio del rig a muro e/o al pavimento non sono inclusi nel pacco, in quanto per diversi tipi di muro e pavimentazione bisogna utilizzare diversi tipi di bulloni d'ancoraggio.

OPOZORILO!

Če se struktura prevrne, lahko pride do resnih telesnih poškodb. Da bi preprečili nevarnost, da se ta struktura prevrne, mora biti pritrjena na steno in / ali v tla.

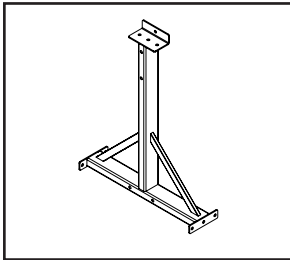
Vijaki za pritrjevanje strukture na steno oz. tla niso priloženi, saj različne sestave zidov oz. tal zahtevajo različne vrste pritrdilnih elementov. Uporabite take, ki ustrezajo sestavi vaše stene oz. tal.

WARNING!

If the structure is not secured to the ground and / or to the wall, it may overturn and / or cause damage to person or object in the immediate vicinity.

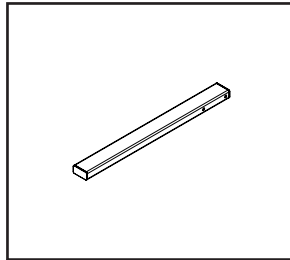
The fixing bolts for wall and / or floor are not included in the pack-age, since different types of anchor bolts must be used for different wall / floor types.

Assembly elements:



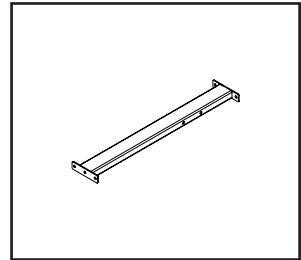
Position 1

GHD II. Front Leg



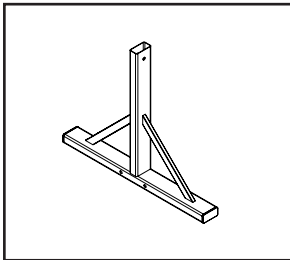
Position 2

GHD II. Side Leg



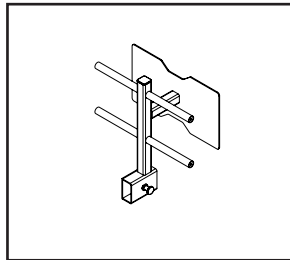
Position 3

GHD II. Down Tube



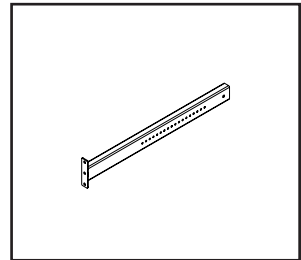
Position 4

GHD II. Back Leg



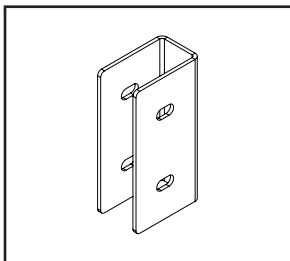
Position 5

GHD II. Front Pillow Holder



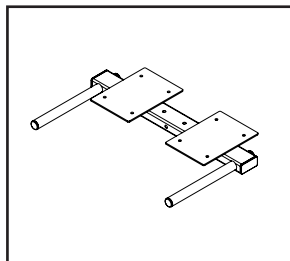
Position 6

GHD II. Top Tube



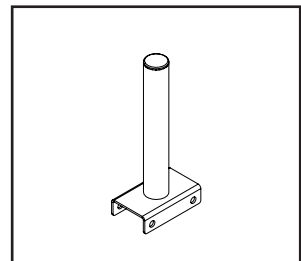
Position 7

GHD II. U Chanell



Position 8

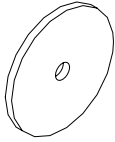
GHD II. Back Pillow Holder



Position 9

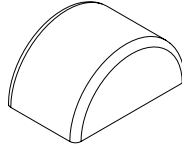
GHD II. Bumper Storage

Assembly elements:



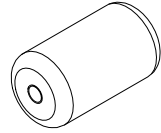
Position 10

GHD Pillow Ring



Position 11

GHD Back Pillow



Position 12

GHD Leg Pillow



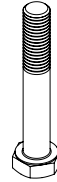
Position 13

M12 Nuts



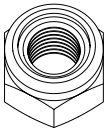
Position 14

M10x110



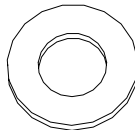
Position 15

M10x65



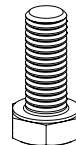
Position 16

M10 Nuts



Position 17

M10 Washer



Position 18

M8x20

Assembly elements:

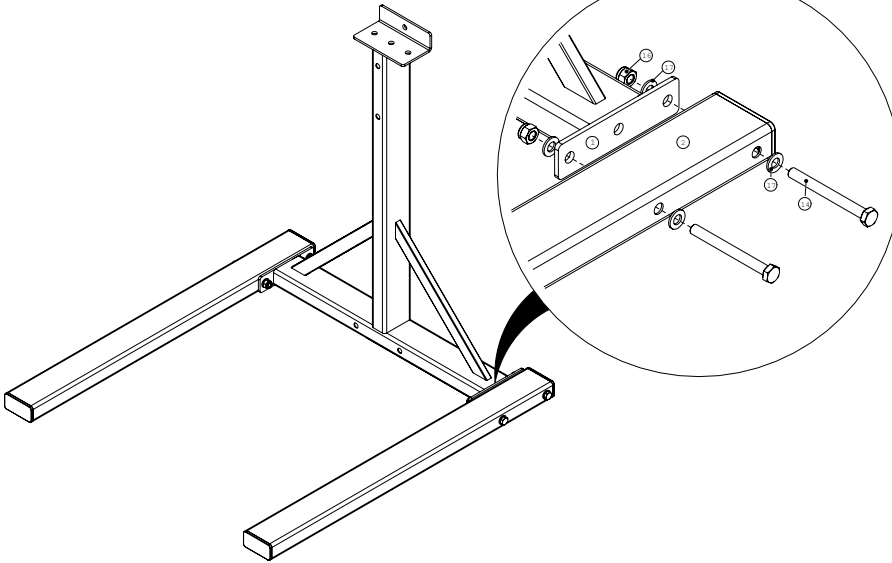


Position 19

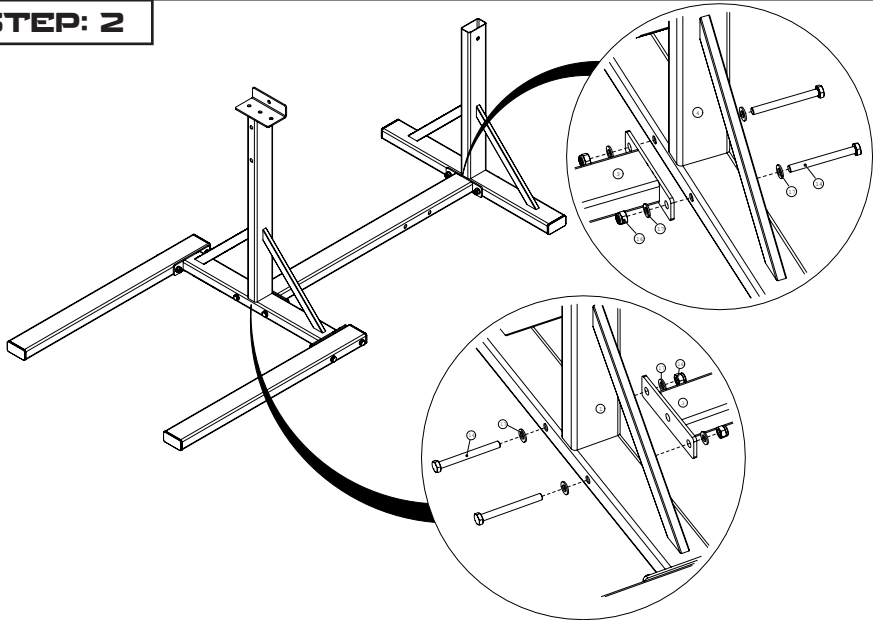
M8 Washer

Assembly instruction:

STEP: 1

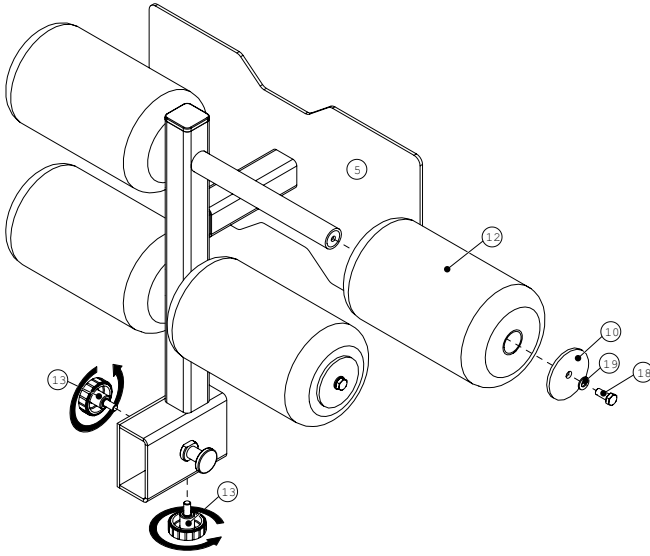


STEP: 2

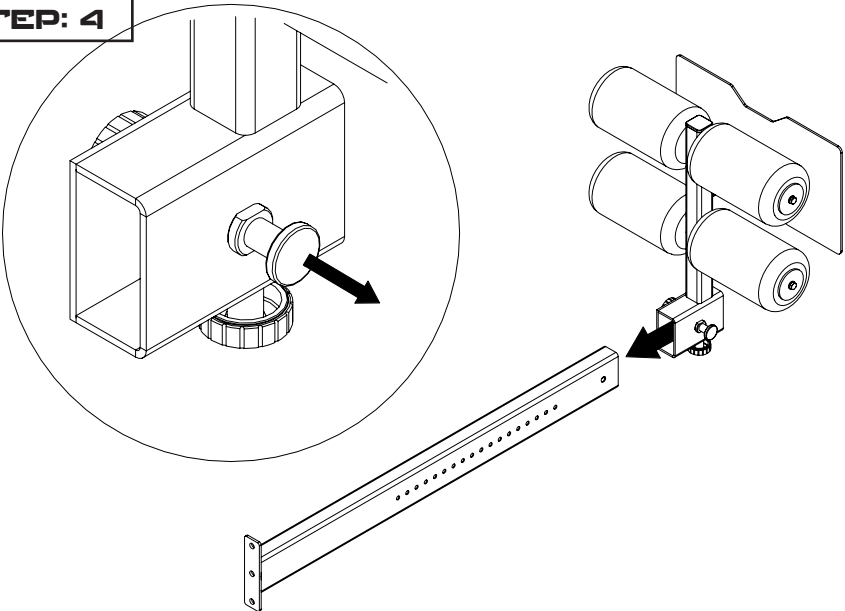


Assembly instruction:

STEP: 3

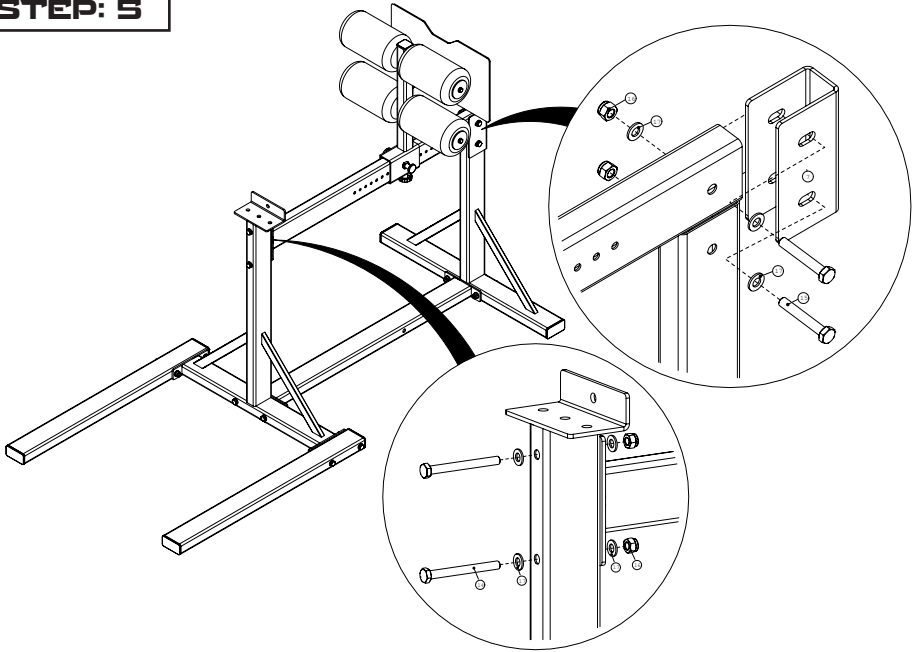


STEP: 4

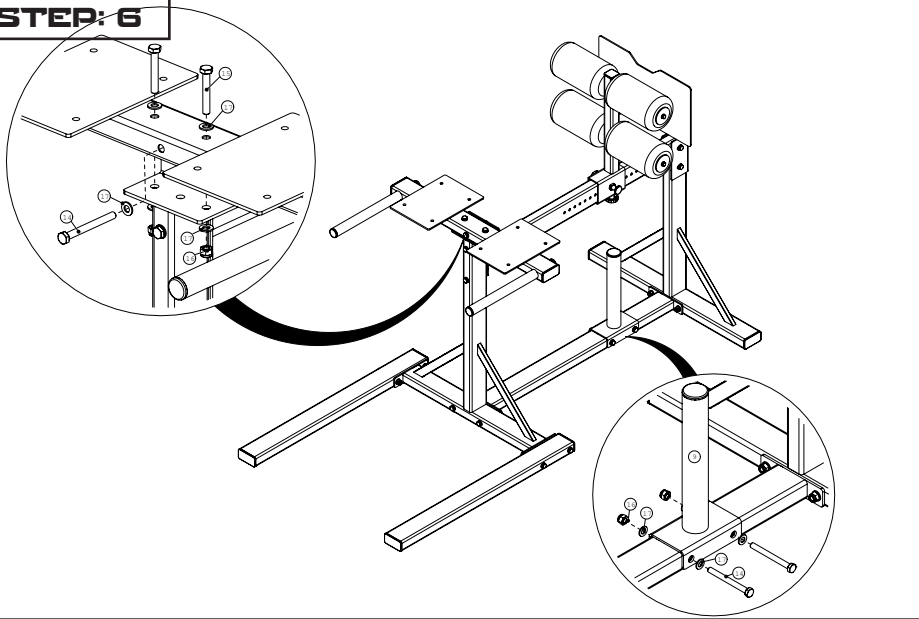


Assembly instruction:

STEP: 5

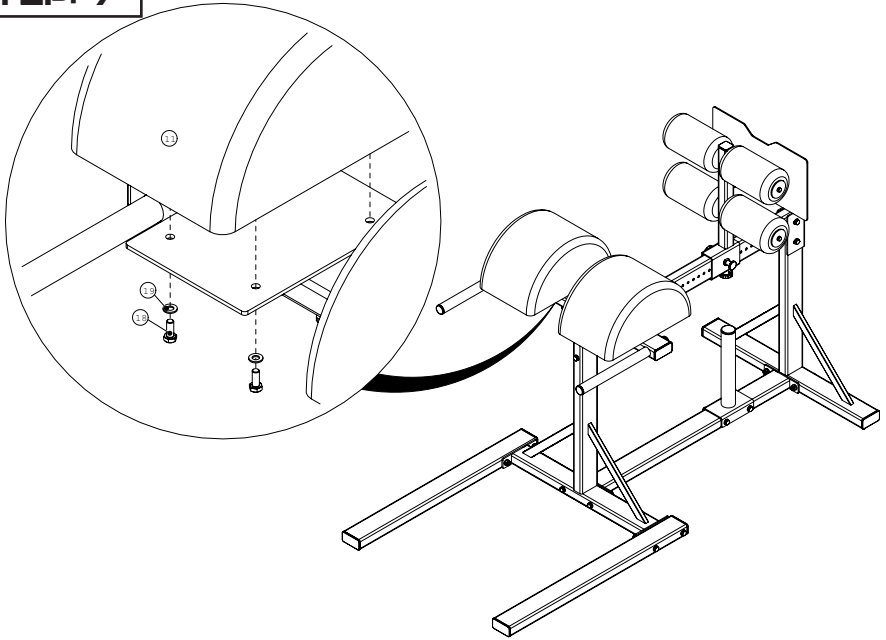


STEP: 6



Assembly instruction:

STEP: 7



STEP: 8

