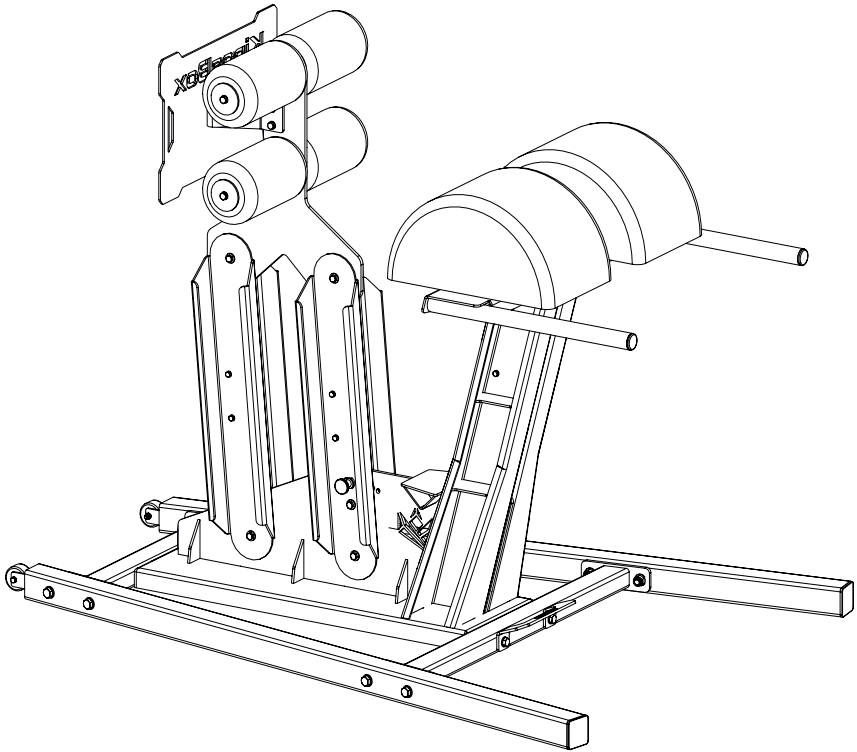


Mighty GHD



KingsBox[®]
BUILDING BETTER HUMANS

ATTENZIONE!

Se la struttura non viene fissata a terra e/o al muro, puo' rib-altarsi e/o provocare danni a persone o oggetti in immediata vicinanza.

I bulloni per il fissaggio del rig a muro e/o al pavimento non sono inclusi nel pacco, in quanto per diversi tipi di muro 7 pavim-entazione bisogna utilizzare diversi tipi di bulloni d'ancoraggio.

OPOZORILO!

Če se struktura prevrne, lahko pride do resnih telesnih poškodb. Da bi preprečili nevarnost, da se ta struktura prevrne, mora biti pritrjena na steno in / ali v tla.

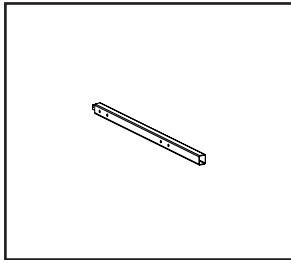
Vijaki za pritrjevanje strukture na steno oz. tla niso priloženi, saj različne sestave zidov oz. tal zahtevajo različne vrste pritrdilnih elementov. Uporabite take, ki ustrezajo sestavi vaše stene oz. tal.

WARNING!

If the structure is not secured to the ground and / or to the wall, it may overturn and / or cause damage to person or object in the immediate vicinity.

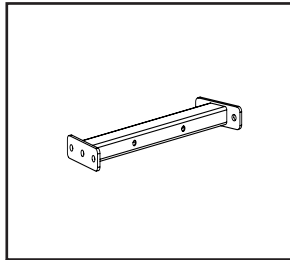
The fixing bolts for wall and / or floor are not included in the pack-
age, since different types of anchor bolts must be used for dif-
fer-ent wall / floor types.

Assembly elements:



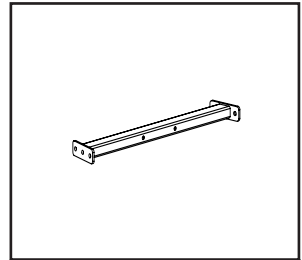
position: 1

GHD Side Leg



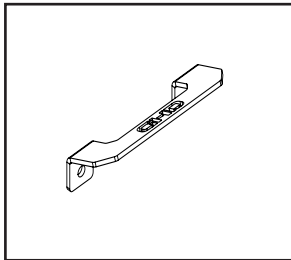
position: 2

GHD Front Leg



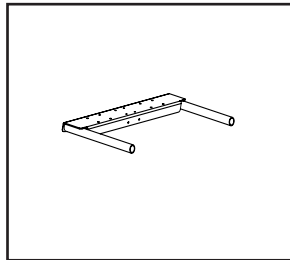
position: 3

GHD Back Leg



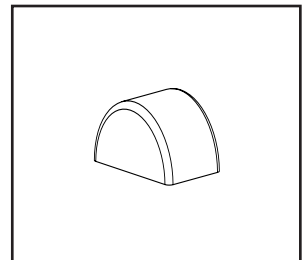
position: 4

GHD Band Handle



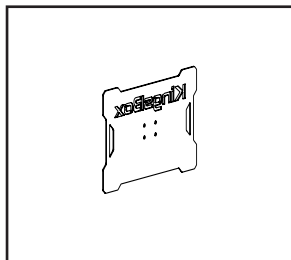
position: 5

GHD Back Pillow Holder



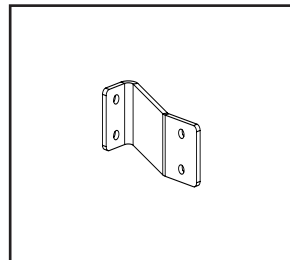
position: 6

GHD Back Pillow



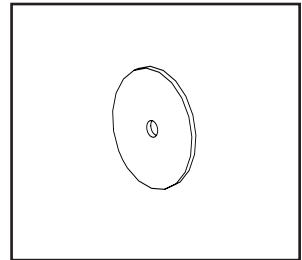
position: 7

GHD Foot Plate



position: 8

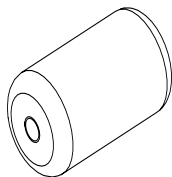
GHD Foot Plate Holder



position: 9

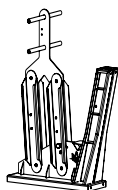
GHD Pillow Ring

Assembly elements:



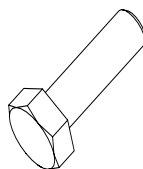
position: 10

GHD Leg Pillow



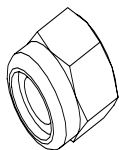
position: 11

Base



position: A

M6 x 20



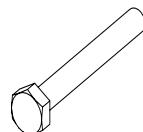
position: B

M6 Nuts



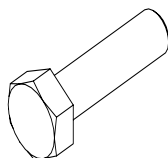
position: C

M6 Washer



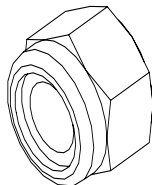
position: D

M6 x 50



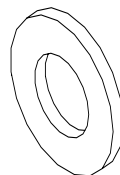
position: F

M8 x 20



position: G

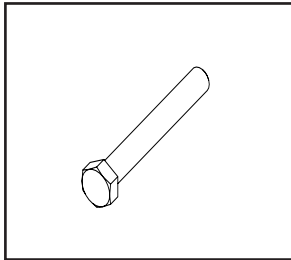
M8 Nuts



position: H

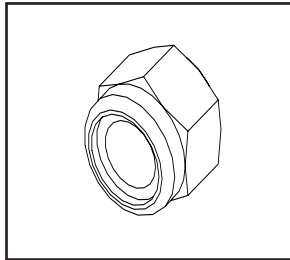
M8 Washer

Assembly elements:



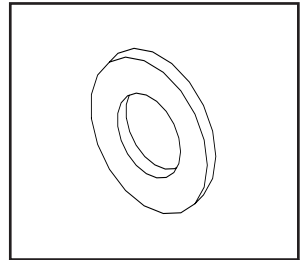
position: I

M12 x 90



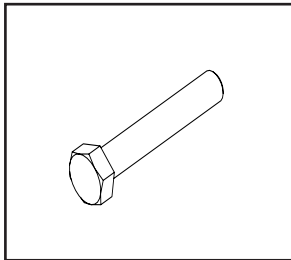
position: J

M12 Nuts



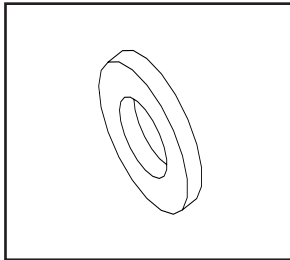
position: K

M8 Washer



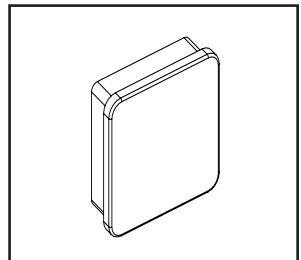
position: L

M10 x 75



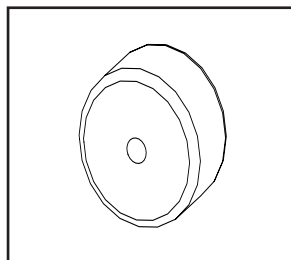
position: M

M10 Washer



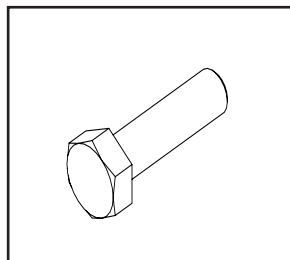
position: D

60x60



position: P

Wheels

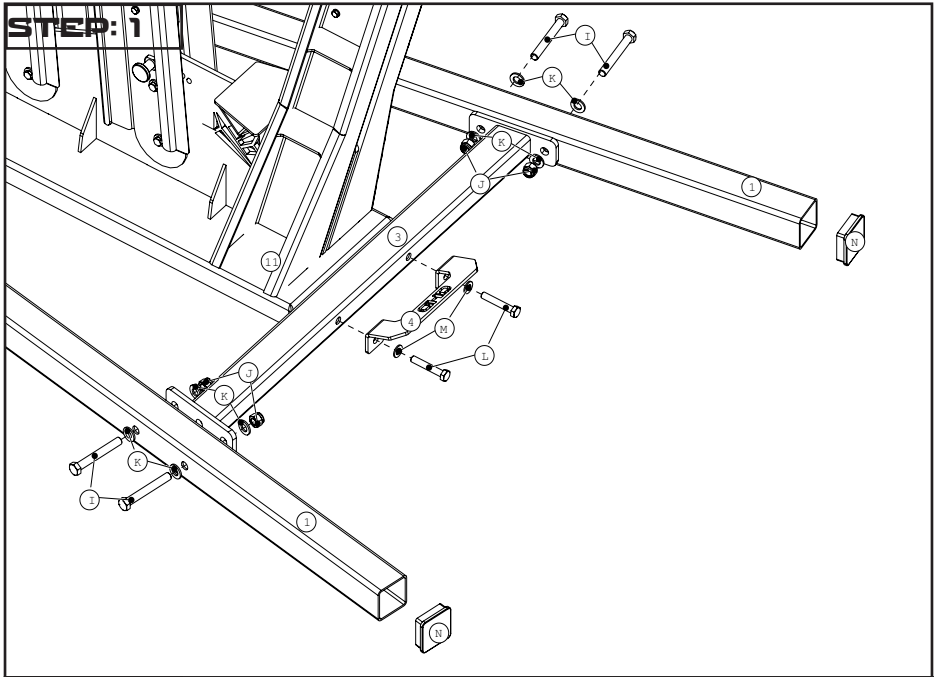


position: Q

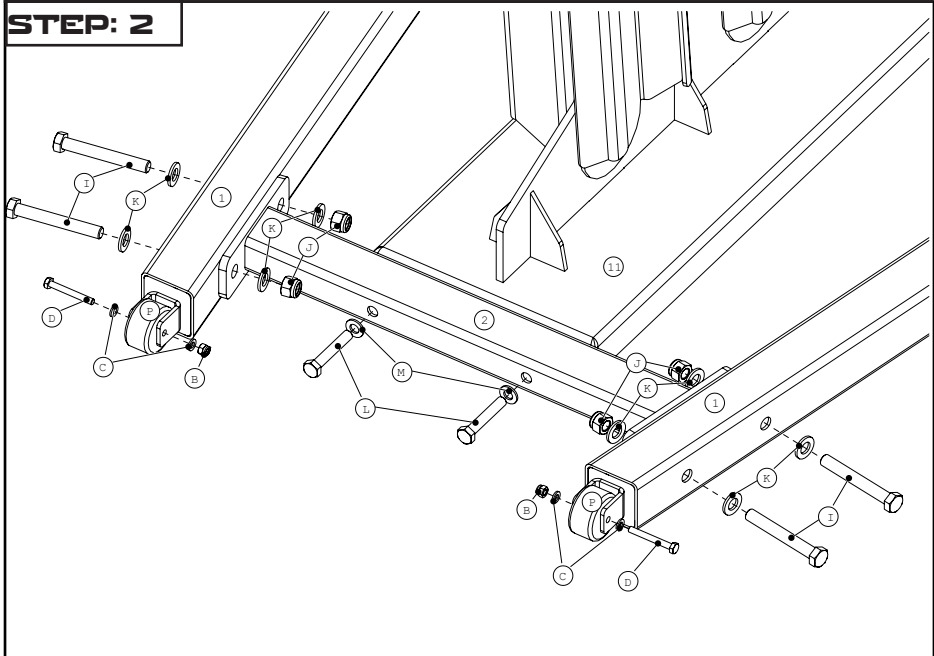
M8 x 30

Assembly instruction:

STEP: 1

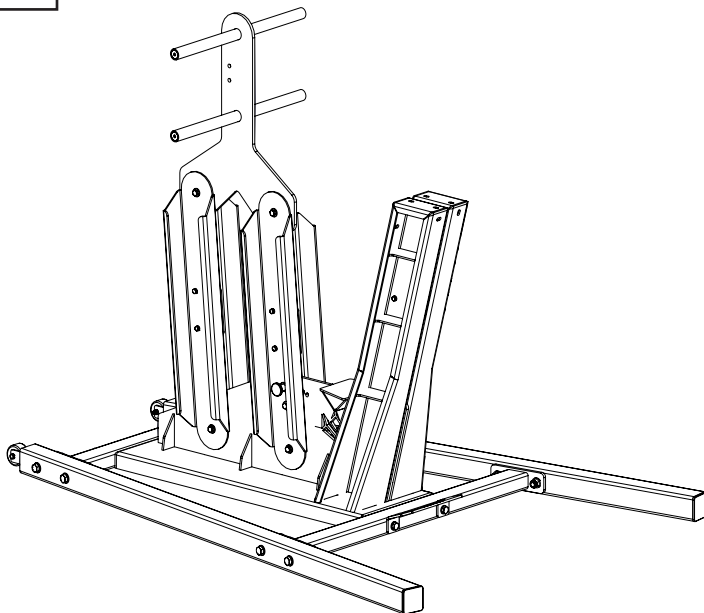


STEP: 2

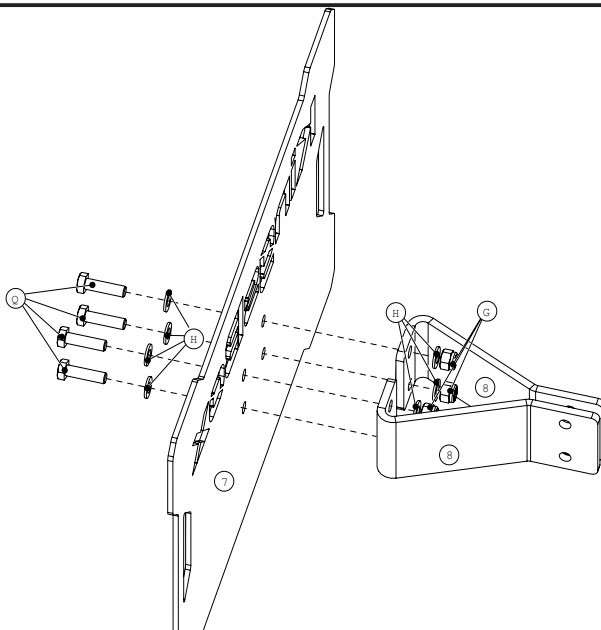


Assembly instruction:

STEP: 3

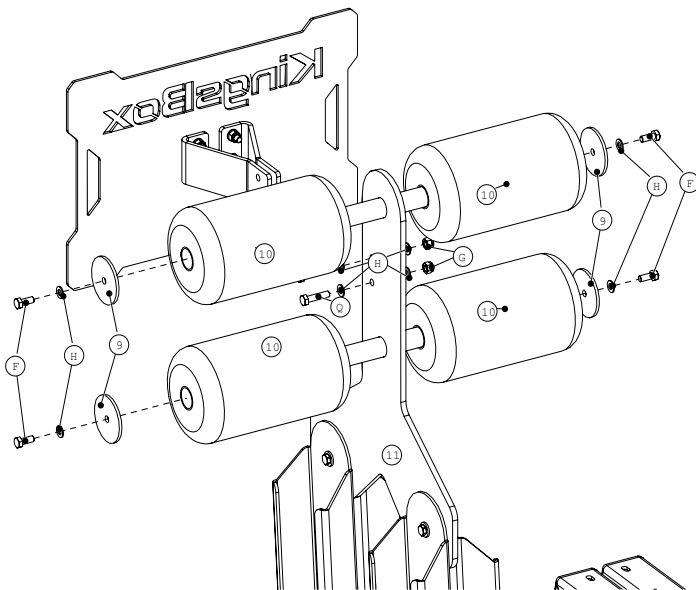


STEP: 4

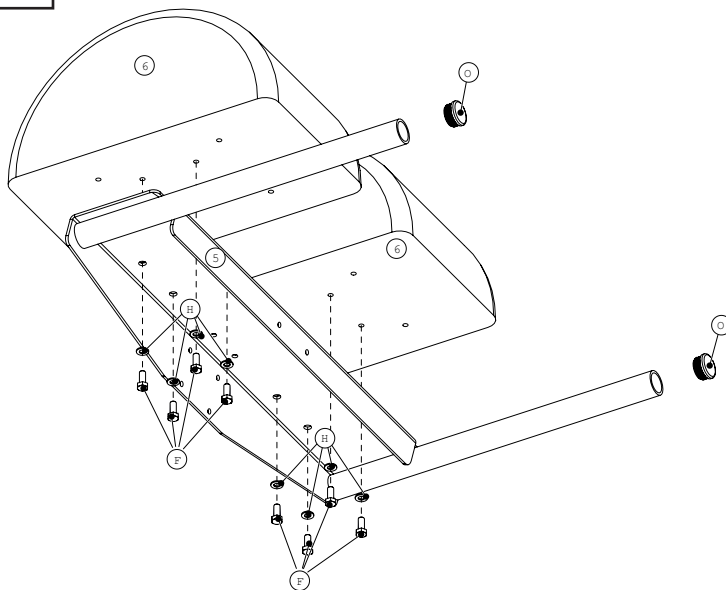


Assembly instruction:

STEP: 5



STEP: 6



Assembly instruction:

STEP: 7

