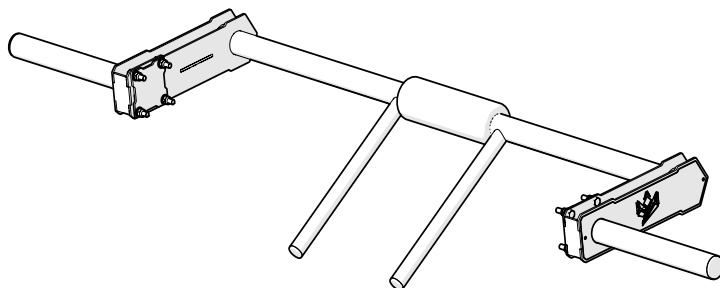



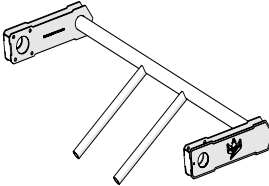
Duchess Squat Bar

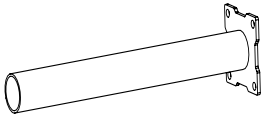


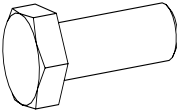
KingsBox

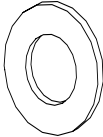
Assembly elements:

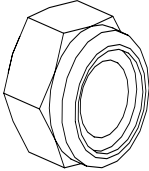
SAMPLE

Position
part name

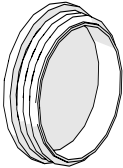

Position 1
Duchess Squat Bar

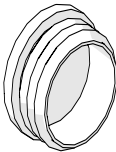

Position 2
HybridBar Sleeve

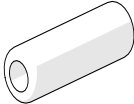

Position 4
Bolt M10x40


Position 5
Washer M10


Position 6
Nut M10


Position 7
Plug 1,5 cole


Position 8
Plug 1 cole


Position 9
Neck Pillow

Assembly instruction:

STEP: 1

