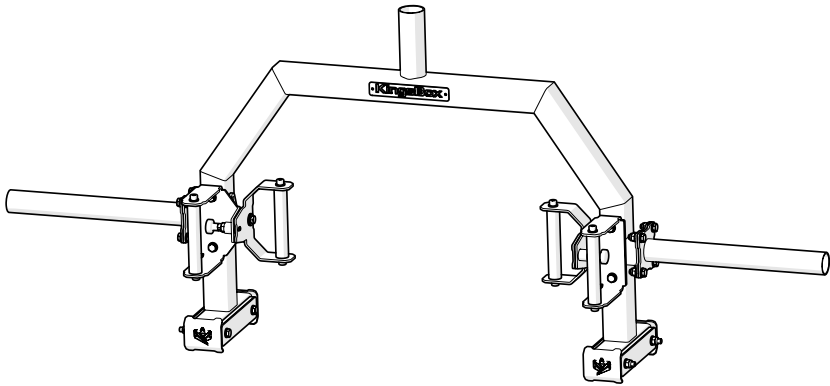
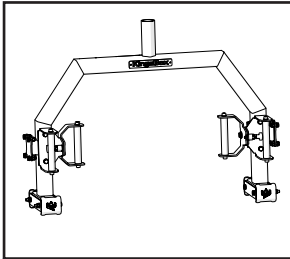


# HybridBar 2.0



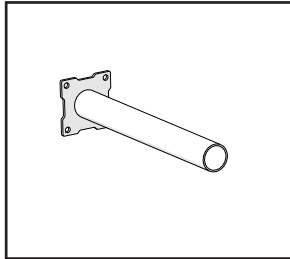
**KingsBox<sup>®</sup>**  
BUILDING BETTER HUMANS

# Assembly elements:



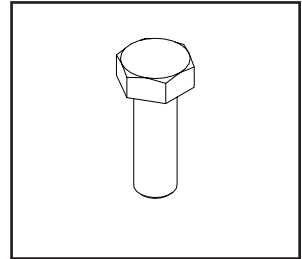
**Position 1**

**HybridBar Frame  
2.0**



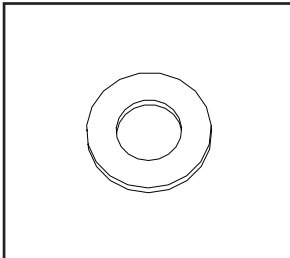
**Position 8**

**Sleeve**



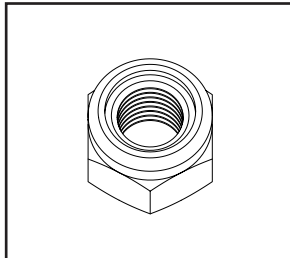
**Position E**

**M10x30**



**Position F**

**Washer M10**



**Position G**

**Nut M10**

# Assembly instruction:

**STEP: 6**

