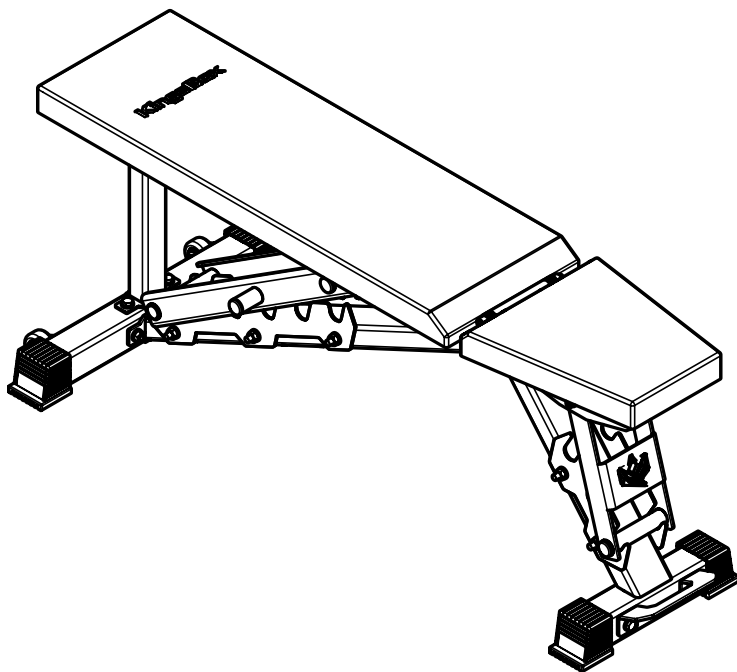


Ultimate Adjustable Bench 2.0



KingsBox[®]
BUILDING BETTER HUMANS

ATTENZIONE!

Se la struttura non viene fissata a terra e/o al muro, può rib-altarsi e/o provocare danni a persone o oggetti in immediata vicinanza.

I bulloni per il fissaggio del rig a muro e/o al pavimento non sono inclusi nel pacco, in quanto per diversi tipi di muro e pavimentazione bisogna utilizzare diversi tipi di bulloni d'ancoraggio.

OPOZORILO!

Če se struktura prevrne, lahko pride do resnih telesnih poškodb. Da bi preprečili nevarnost, da se ta struktura prevrne, mora biti pritrjena na steno in / ali v tla.

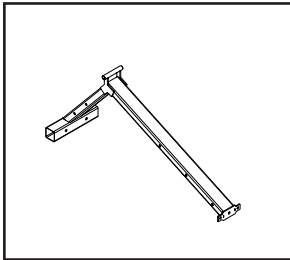
Vijaki za pritrjevanje strukture na steno oz. tla niso priloženi, saj različne sestave zidov oz. tal zahtevajo različne vrste pritrdilnih elementov. Uporabite take, ki ustrezajo sestavi vaše stene oz. tal.

WARNING!

If the structure is not secured to the ground and / or to the wall, it may overturn and / or cause damage to person or object in the immediate vicinity.

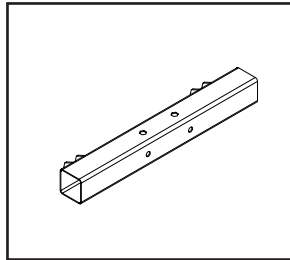
The fixing bolts for wall and / or floor are not included in the pack-age, since different types of anchor bolts must be used for different wall / floor types.

Assembly elements:



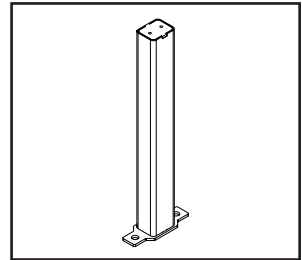
Position 1

**Ultimate Bench
Frame**



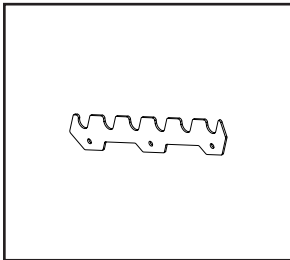
Position 2

Bench Leg Ultimate



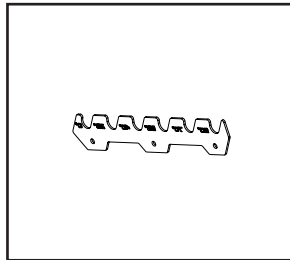
Position 3

Front Rest Ultimate



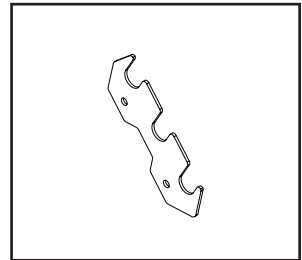
Position 4

**Back Ladder
Chrome**



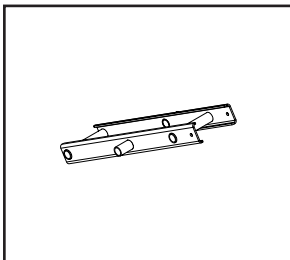
Position 5

**Back Ladder Text
Chrome**



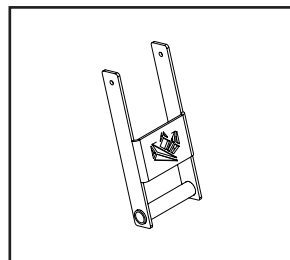
Position 6

**Front Ladder Ulti-
mate Chrome**



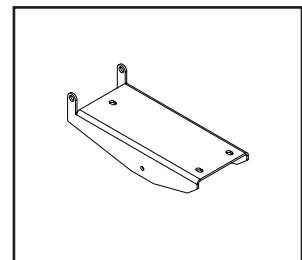
Position 7

Back Link Ultimate



Position 8

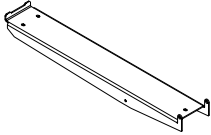
Front Link Ultimate



Position 9

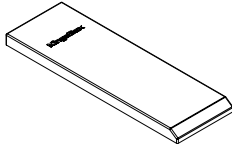
Front Pillow Ultimate

Assembly elements:



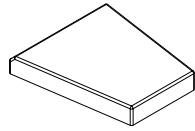
Position 10

Back Pillow Ultimate



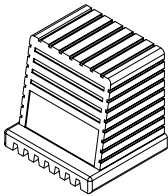
Position 11

Adj. Front Pillow



Position 12

Adj. Back Pillow



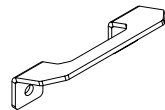
Position 13

Rubber Leg 60x60



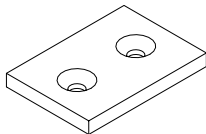
Position 14

Wheel 50 mm



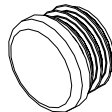
Position 15

Bench Handle



Position 16

J-Cup S Plastic II.



Position 17

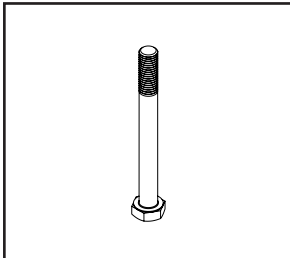
Plug Fi 3/4



Position 18

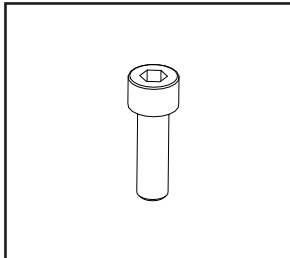
M10x80

Assembly elements:



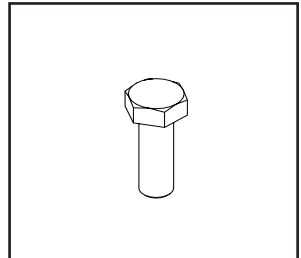
Position 19

M10x110



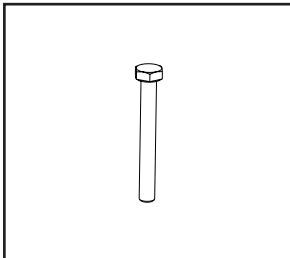
Position 20

M8x20



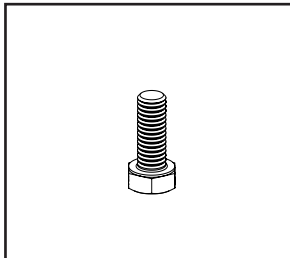
Position 21

M10x16



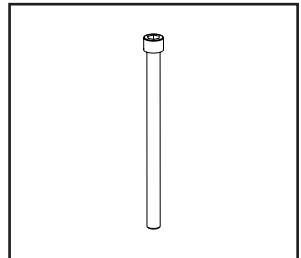
Position 22

M6x50



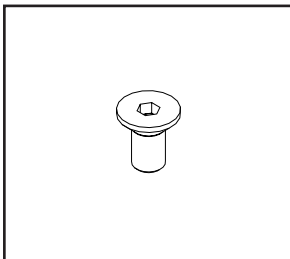
Position 23

M8x20



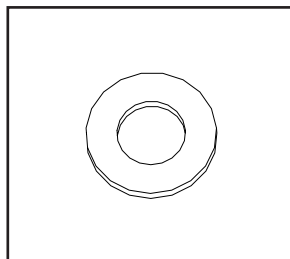
Position 24

M12x170



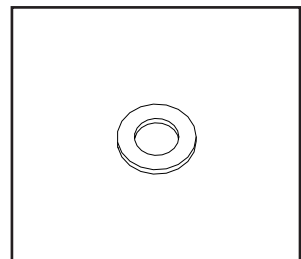
Position 25

M5 Flat Head



Position 26

M10 Washer



Position 27

M8 Washer

Assembly elements:



Position 28

M6 Washer



Position 29

M10 Nut



Position 30

M8 Nut



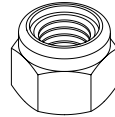
Position 31

M6 Nut



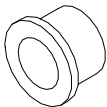
Position 32

Copper Washer



Position 33

M12 Nut

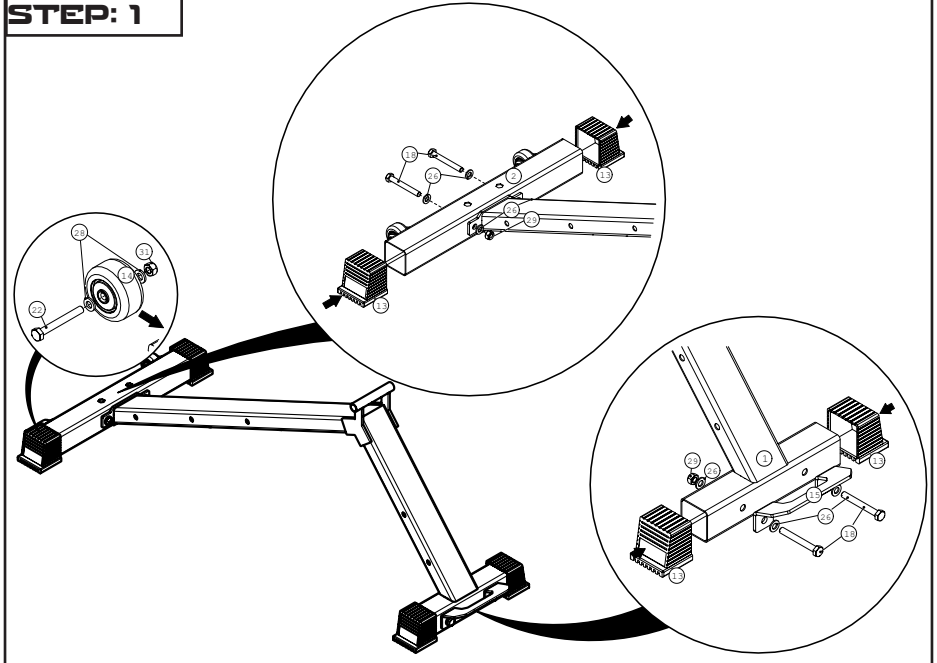


Position 34

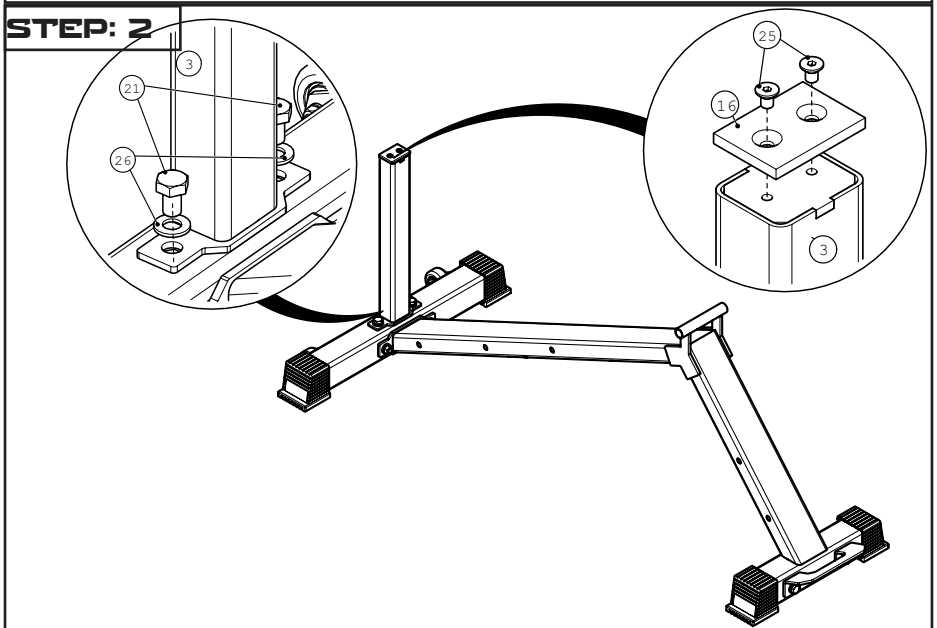
Bushing fi 16-12

Assembly instruction:

STEP: 1

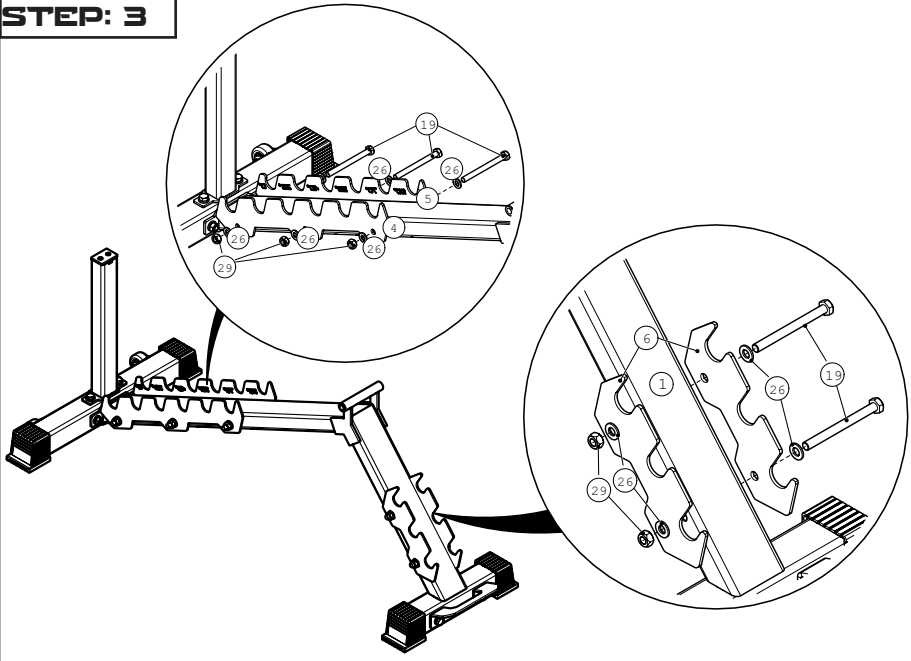


STEP: 2

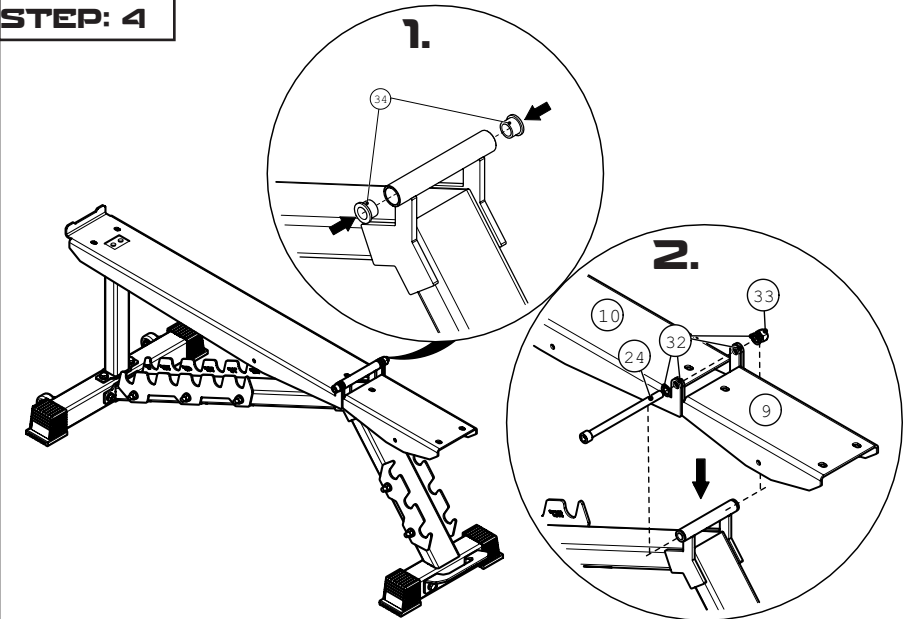


Assembly instruction:

STEP: 3

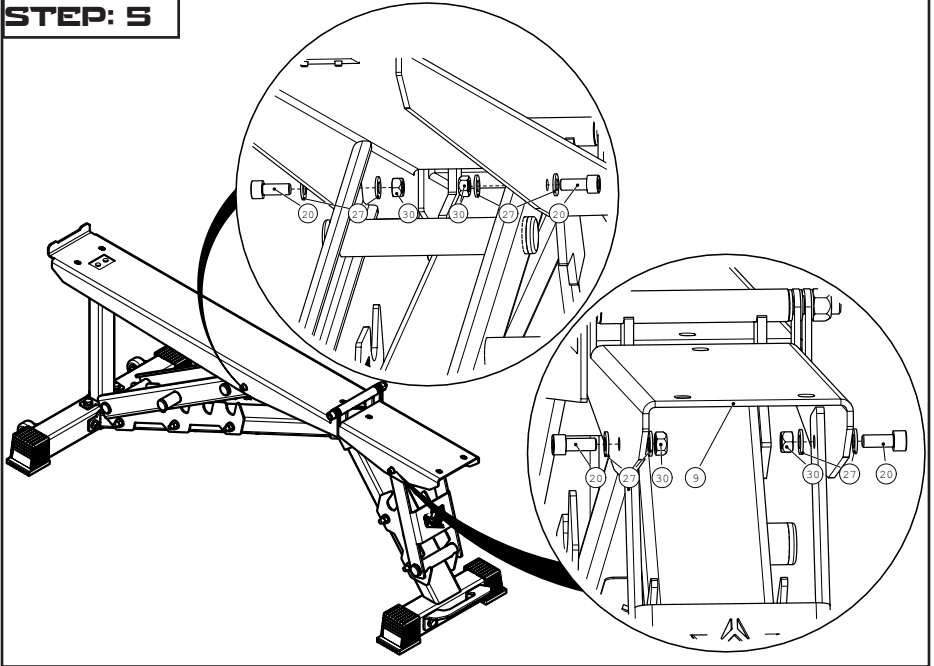


STEP: 4

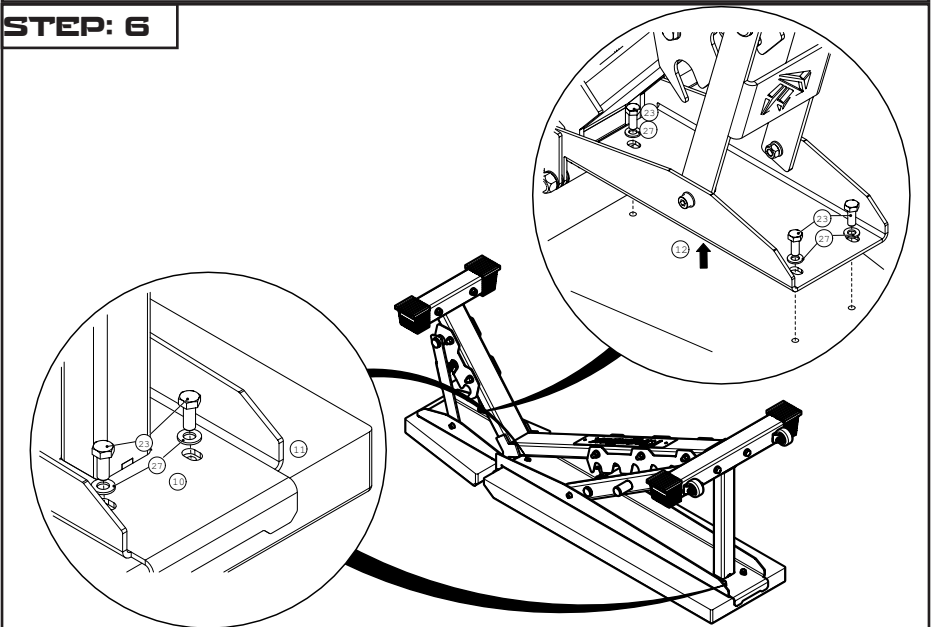


Assembly instruction:

STEP: 5



STEP: 6



Assembly instruction:

STEP: 7

