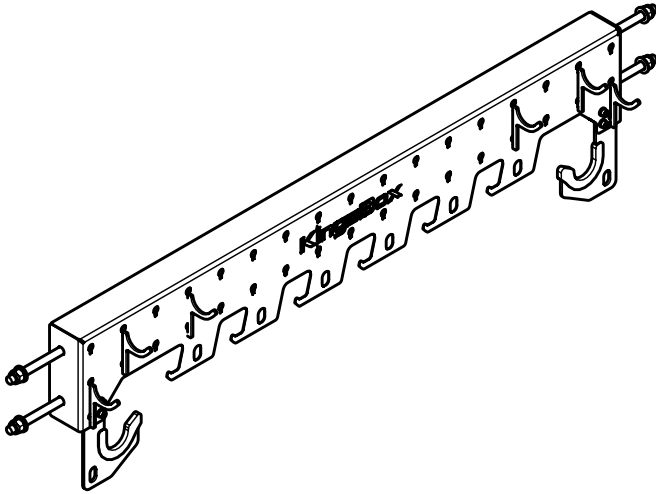


# Handles Storage Low

(KBO8RI-092 / KBO8MI-015)



**KingsBox®**

BUILDING BETTER HUMANS

**Manufacturer:**  
Kingsbox d.o.o.  
Bazoviška 7a, 6210 Sežana  
Slovenia

**Customer service:**

Write us on ***info@kingsbox.com*** or send us a message through our website at ***www.kingsbox.com/help***

**Usage class:**  
Studio (S)

**Designed in compliance with:**  
ISO 20957

**Warnings:**

- Freestanding equipment shall be installed on a stable and levelled base
- All equipment designed with anchoring/attachement holes (e.g. rigs, racks, equipment and accessories for racks, storage pins/shelves, etc.) should be securely screwed to the fixed ground/wall/structure through all the designated fixing holes (unless stated differently in this instructions for use) and with appropriate sized screws.
- Keep unsupervised children away from the equipment

**This equipment is designed for storing training equipment, especially accessories for pulley systems (handles, pull down bars, etc.).**

**Maximum SUM mass on storage: 40kg**  
**Maximum mass per hook: see page 8**

## **ATTENZIONE!**

**Se la struttura non viene fissata a terra e/o al muro, può rib-altarsi e/o provocare danni a persone o oggetti in immediata vicinanza.**

I bulloni per il fissaggio del rig a muro e/o al pavimento non sono inclusi nel pacco, in quanto per diversi tipi di muro e pavimentazione bisogna utilizzare diversi tipi di bulloni d'ancoraggio.

---

## **OPOZORILO!**

**Če se struktura prevrne, lahko pride do resnih telesnih poškodb. Da bi preprečili nevarnost, da se ta struktura prevrne, mora biti pritrjena na steno in / ali v tla.**

Vijaki za pritrjevanje strukture na steno oz. tla niso priloženi, saj različne sestave zidov oz. tal zahtevajo različne vrste pritrdilnih elementov. Uporabite take, ki ustrezajo sestavi vaše stene oz. tal.

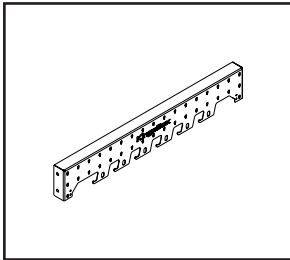
---

## **WARNING!**

**If the structure is not secured to the ground and / or to the wall, it may overturn and / or cause damage to person or object in the immediate vicinity.**

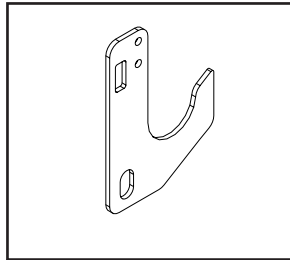
The fixing bolts for wall and / or floor are not included in the pack-age, since different types of anchor bolts must be used for different wall / floor types.

# Assembly elements:



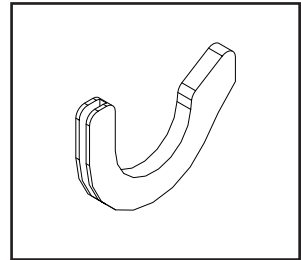
**Position 1**

**1x Handles Storage  
Low**



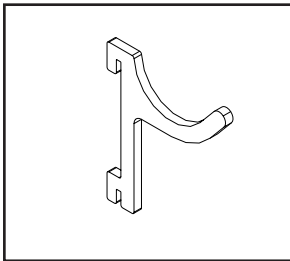
**Position 2**

**2x Hook 1**



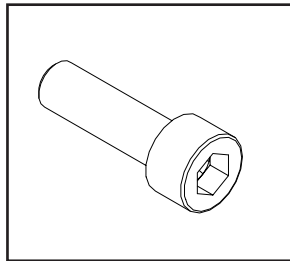
**Position 3**

**2x Hook protection**



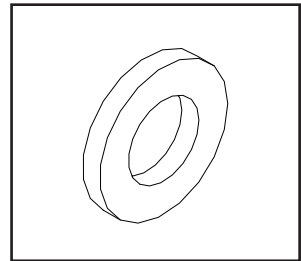
**Position 4**

**6x Hook 2**



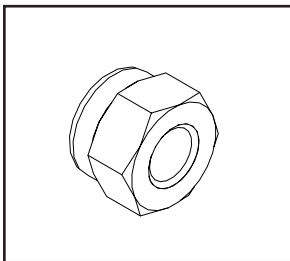
**Position 5**

**4x Screw M6x20**



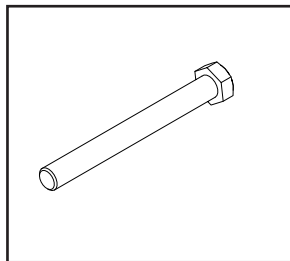
**Position 6**

**8x Washer M6**



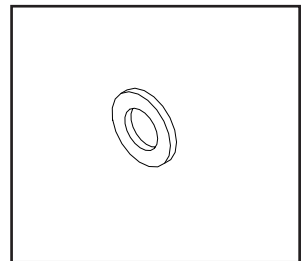
**Position 7**

**4x Nut M6**



**Position 8**

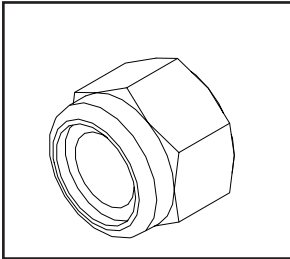
**4x Screw M12x110  
or M12x90**



**Position 9**

**8x Washer M12**

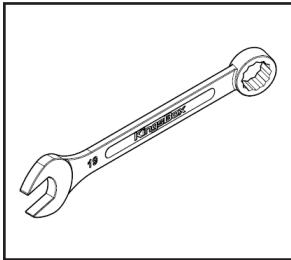
# Assembly elements:



**Position 10**

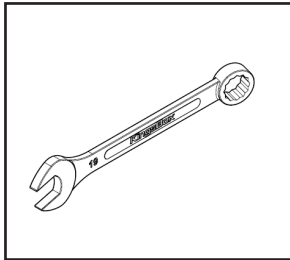
**4x Nut M12**

# Tools needed:



**Wrench 19**

**2X**

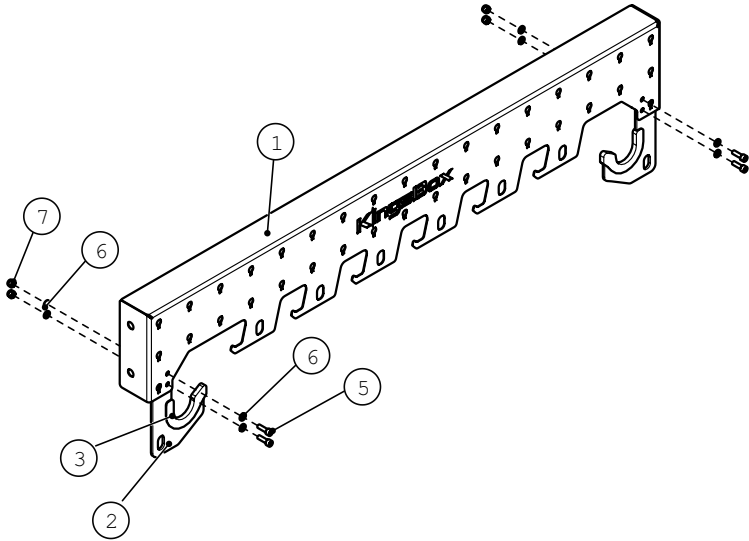


**Wrench 10**

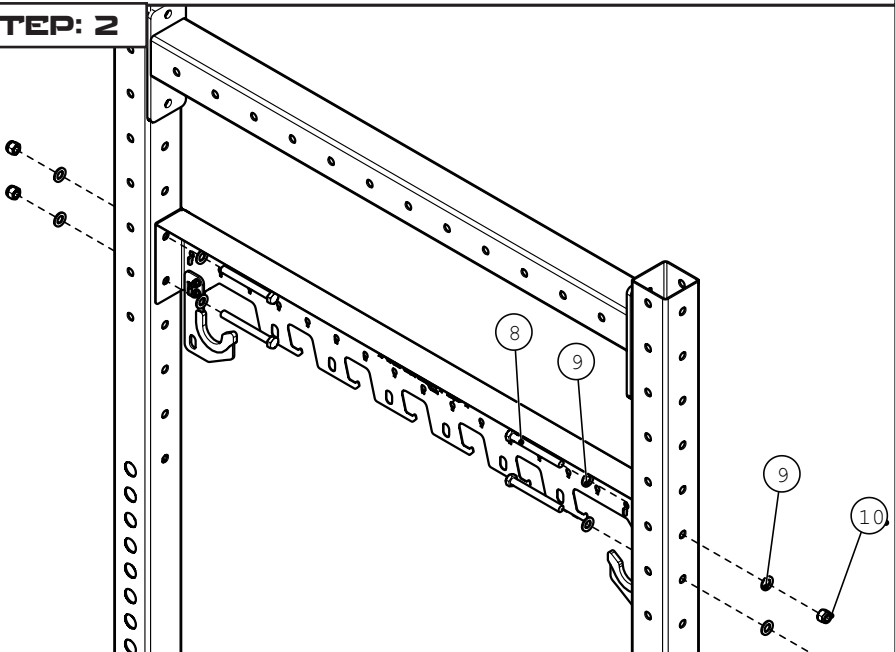
**2x**

# Assembly instruction:

## STEP: 1

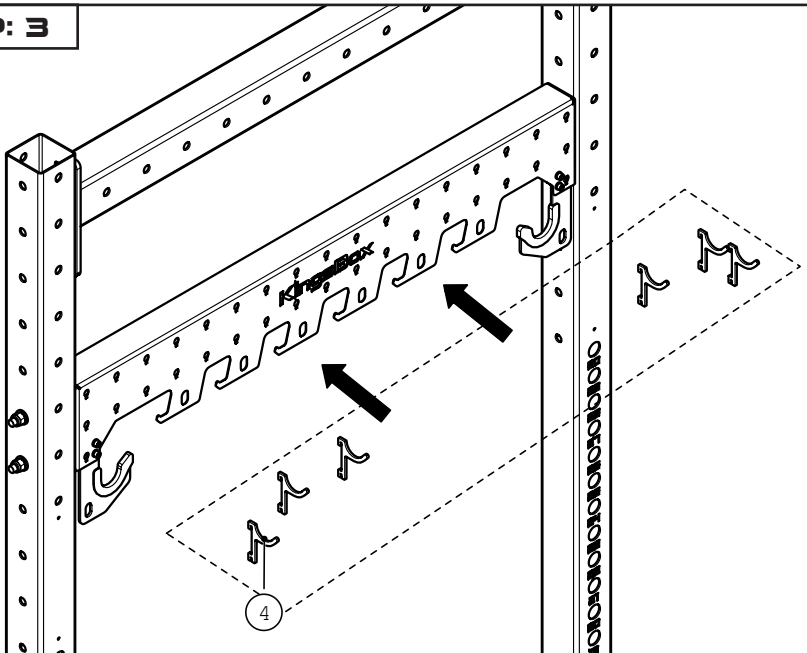


## STEP: 2



# Assembly instruction:

**STEP: 3**



**MAX. LOAD:**

