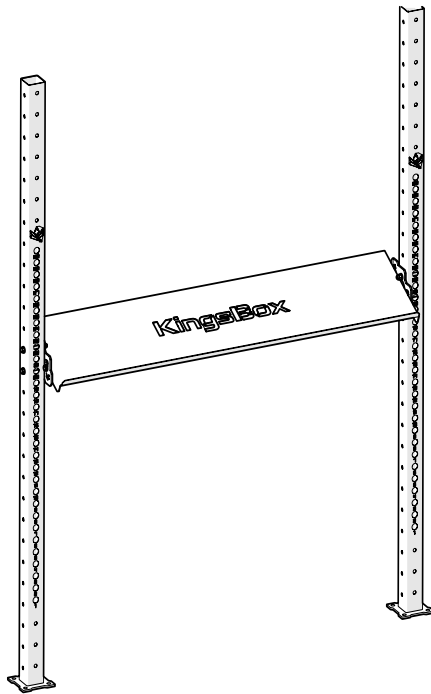
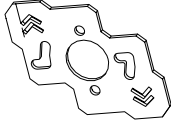


Shelves for equipment storage - kettlebells and dumbbells



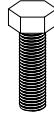
KingsBox[®]
BUILDING BETTER HUMANS

Assembly elements:



Position 1

**Adj. Spacer for
Dumbbell Shelf**



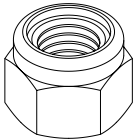
Position 2

M12x40



Position 3

M12 Washer



Position 4

M12 Nuts



Position 5

M12x90

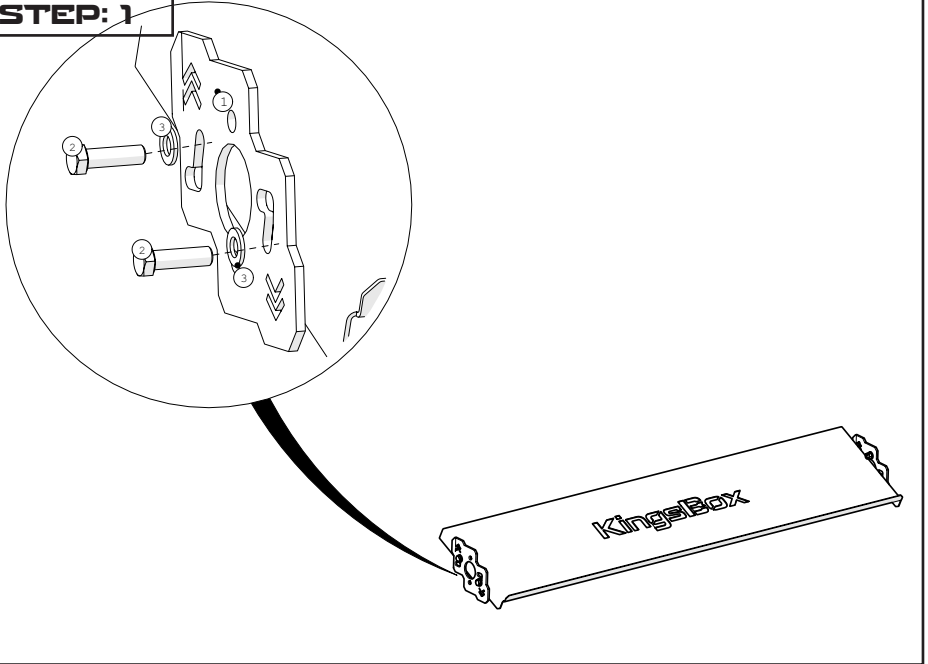


Position 6

**Dumbbell Shelf III.
1700**

Assembly instruction:

STEP: 1



STEP: 1

