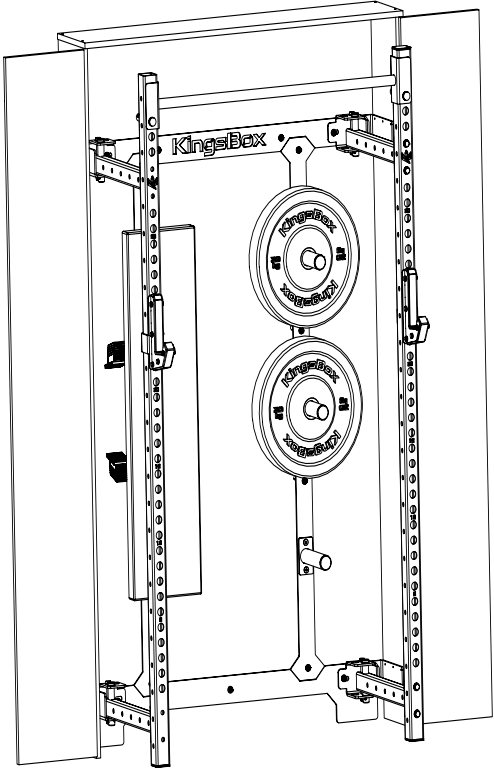
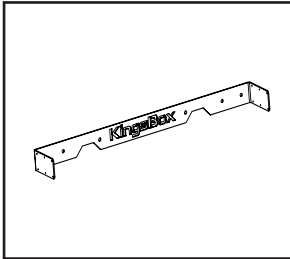


KB Royal Closet Gym



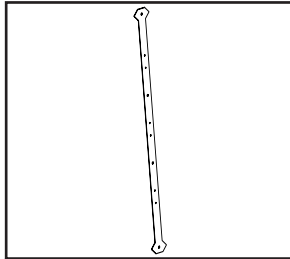
KingsBox[®]
BUILDING BETTER HUMANS

Assembly elements:



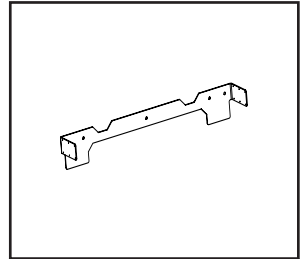
Position 1

Home Coset II. Back Carrier



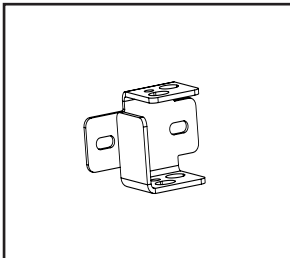
Position 2

Home Closet II. Back Carrier_2



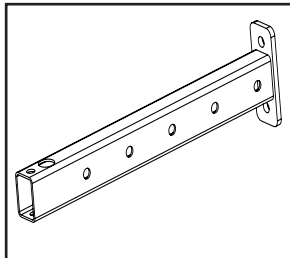
Position 4

Home closet II. Back Carrier_4



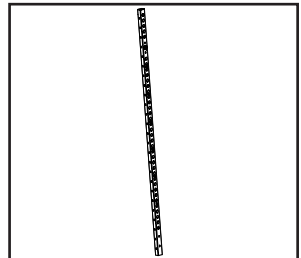
Position 5

Closet WMR Hinge



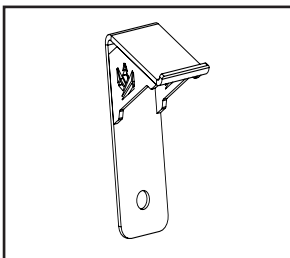
Position 6

Closet TNT 500 Arm



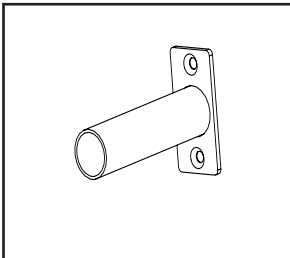
Position 7

Closet Upright 2250 Brushed



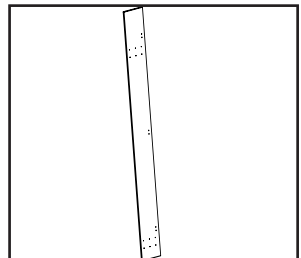
Position 8

FFB Wall Carrier



Position 9

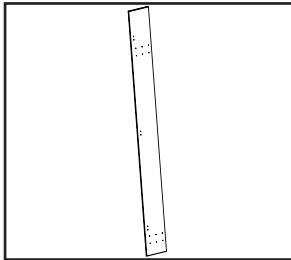
Reverse Hyper Bumper Stackers



Position 10

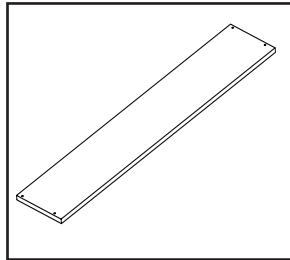
Home Closet II. Side Plank D

Assembly elements:



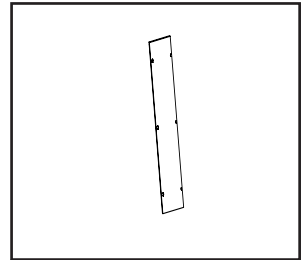
Position 11

**Home Closet II. Side
Plank L**



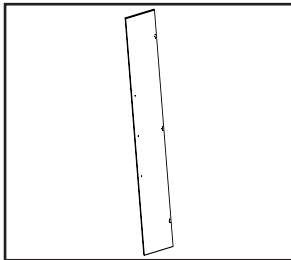
Position 12

**Home Closet II.
Upper Plank**



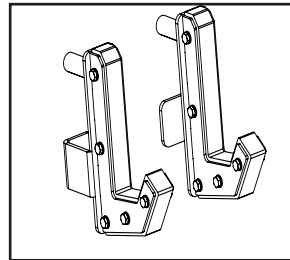
Position 13

**Home Closet II. Door
Plank L**



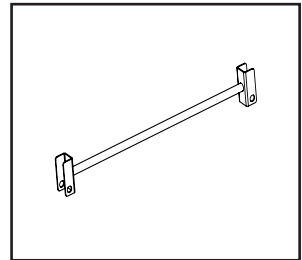
Position 14

**Home Closet II. Door
Plank_Middle**



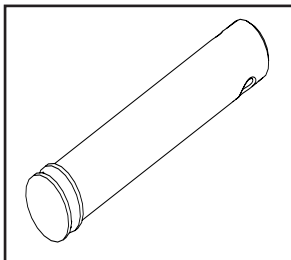
Position 15

Royal Super J-cup



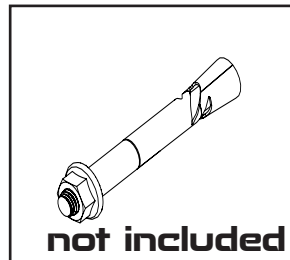
Position 16

**PU Bar WMR 1100
QF**



Position 17

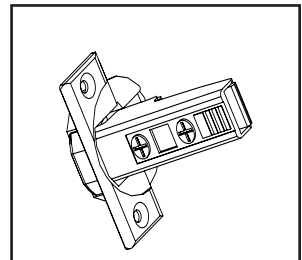
Pin Bolt fi25



not included

Position 18

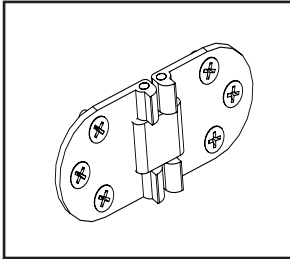
Siderni vijak M12



/

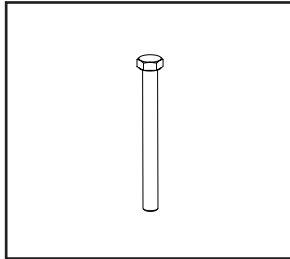
Overlay Hinge

Assembly elements:



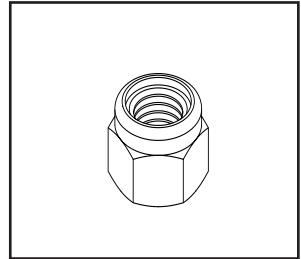
/

Hinge



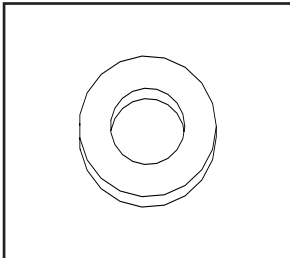
Position 21

M12x140



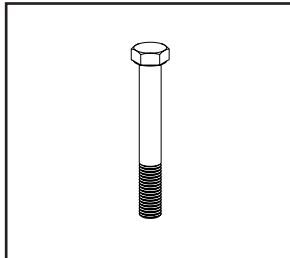
Position 22

Nut M12



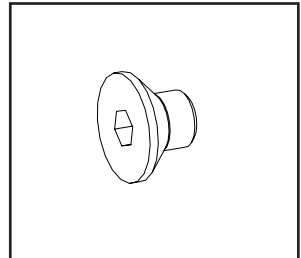
Position 23

Washer M12



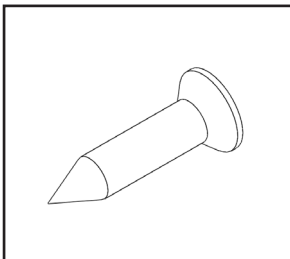
Position 24

M12x90



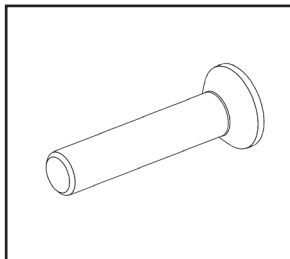
Position 25

M12x12 Flat Head



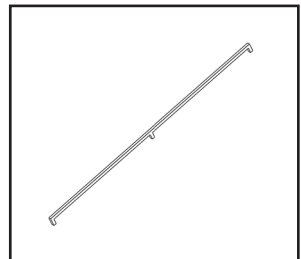
/

**Wood Screw
fi5x20**



/

Screw for Handle



/

Handle

Assembly elements:

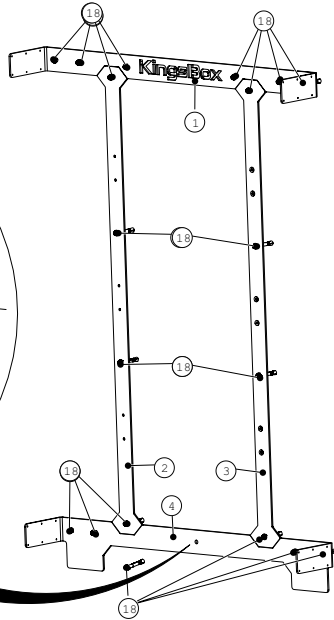
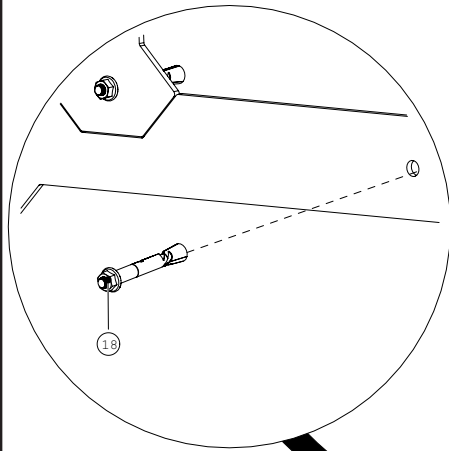


/

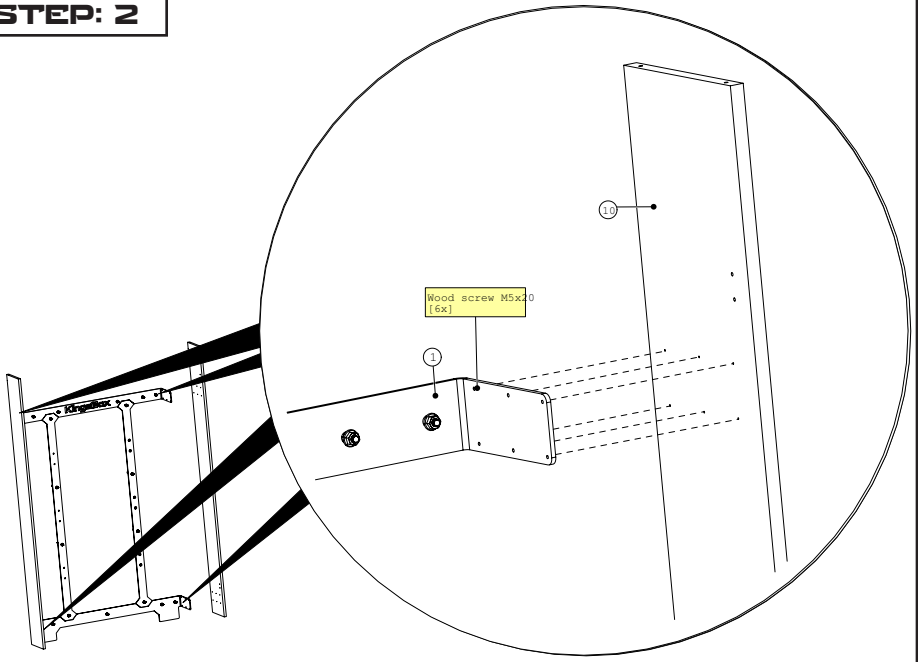
Ekscenter

Assembly instruction:

STEP: 1

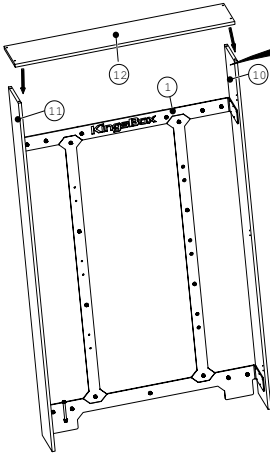


STEP: 2

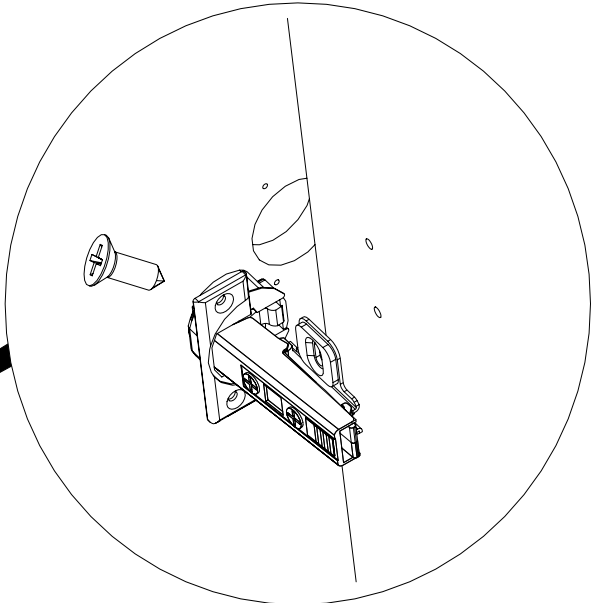
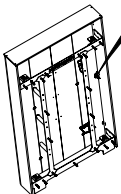


Assembly instruction:

STEP: 3

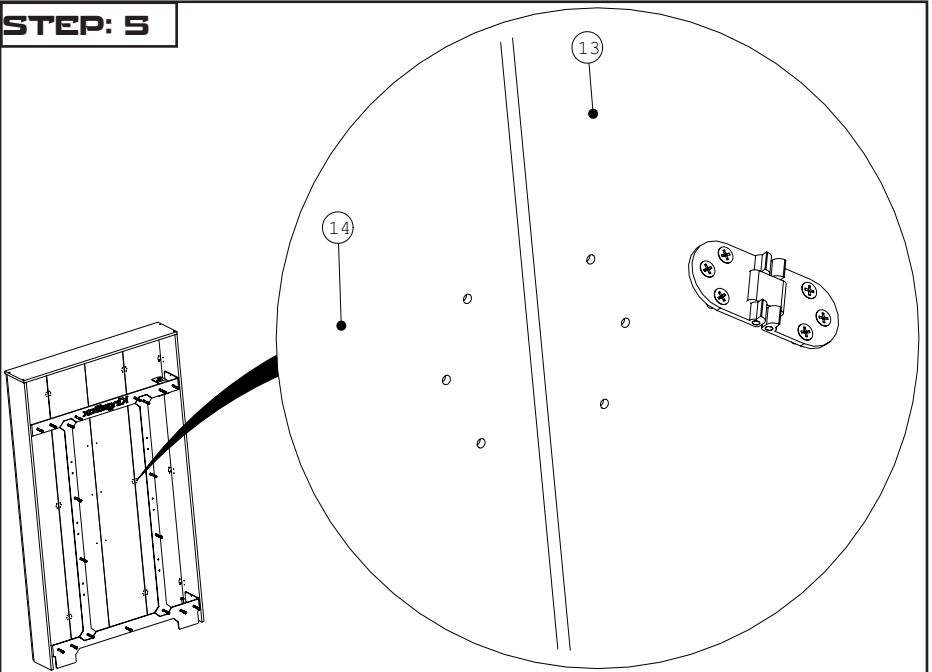


STEP: 4

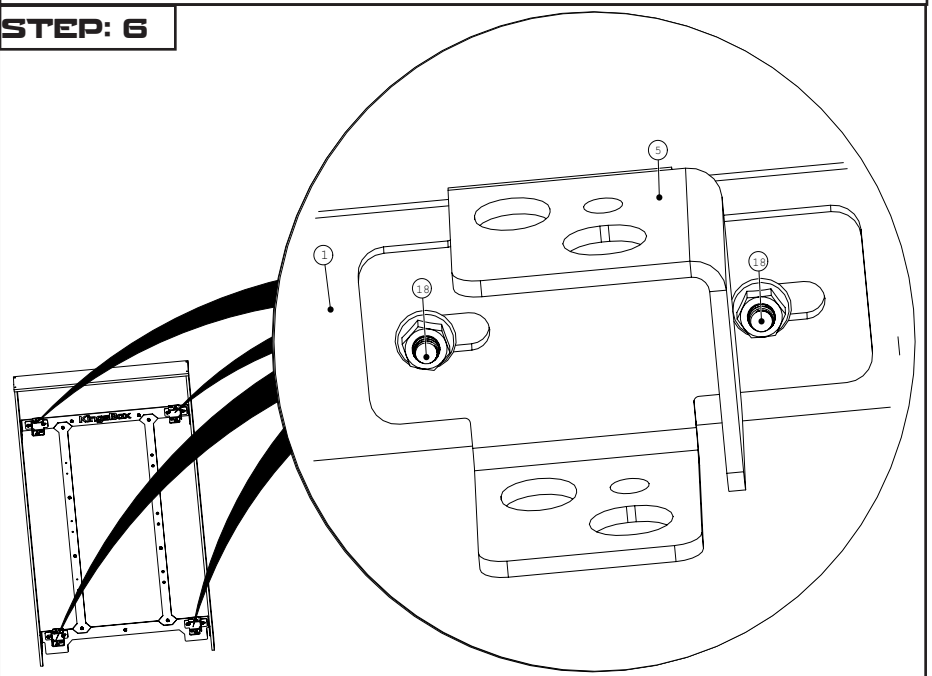


Assembly instruction:

STEP: 5

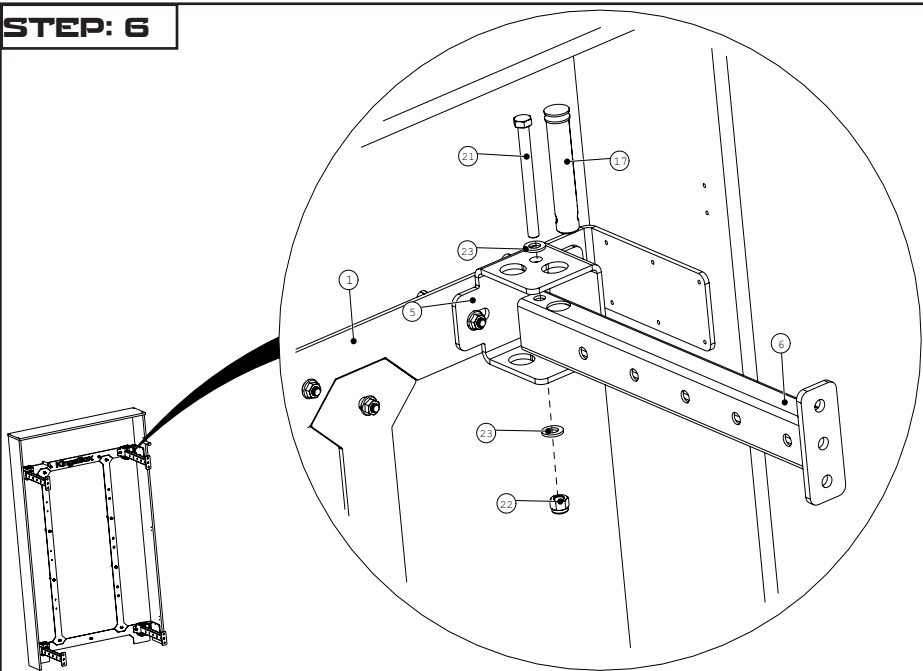


STEP: 6

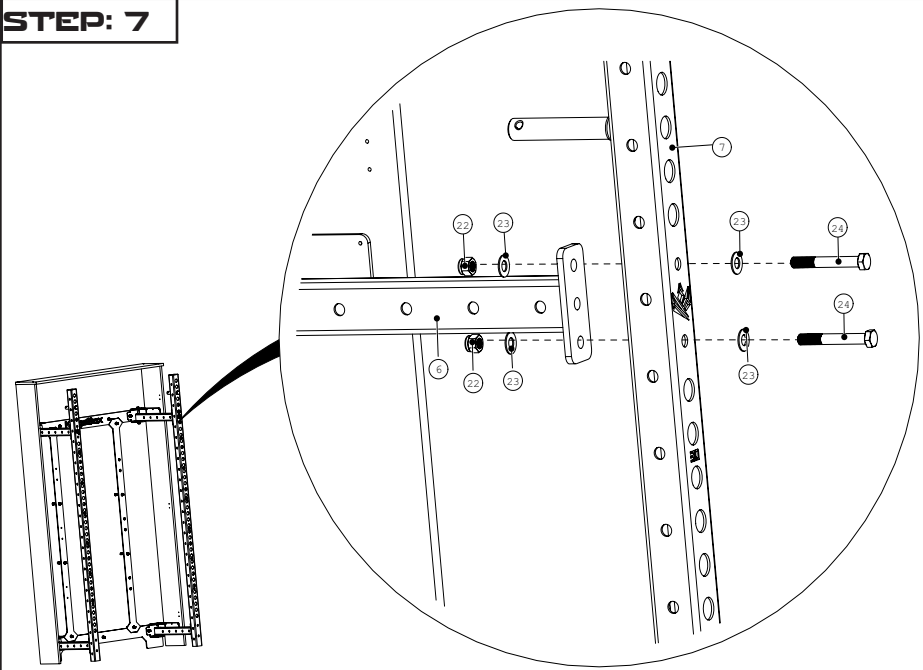


Assembly instruction:

STEP: 6

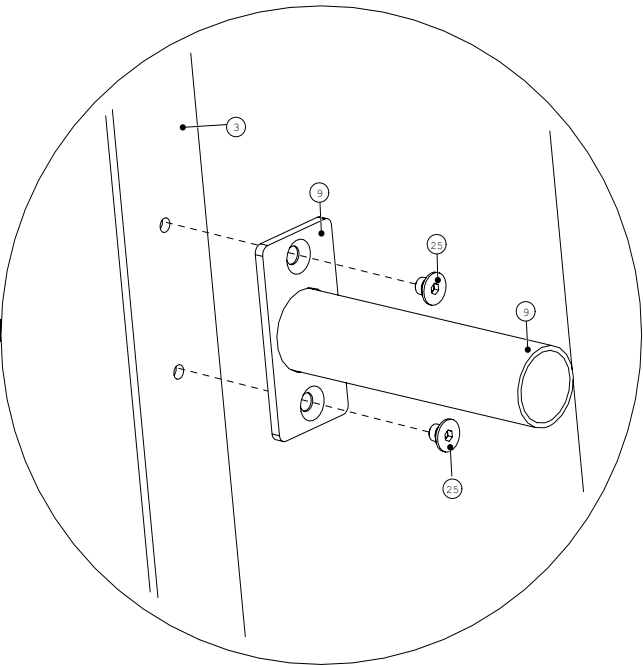
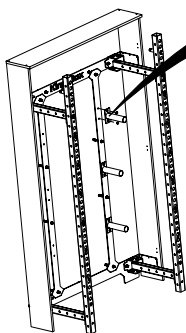


STEP: 7

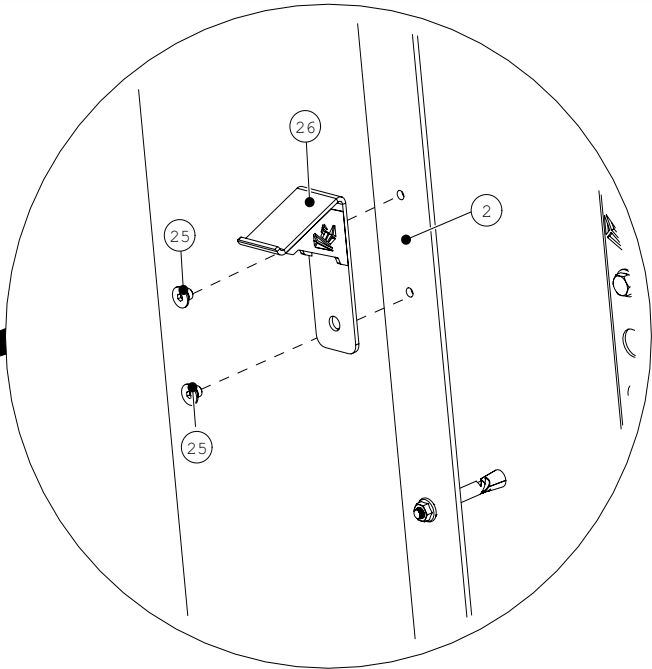
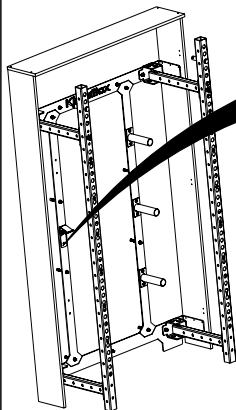


Assembly instruction:

STEP: 8



STEP: 9



Assembly instruction:

STEP: 10

