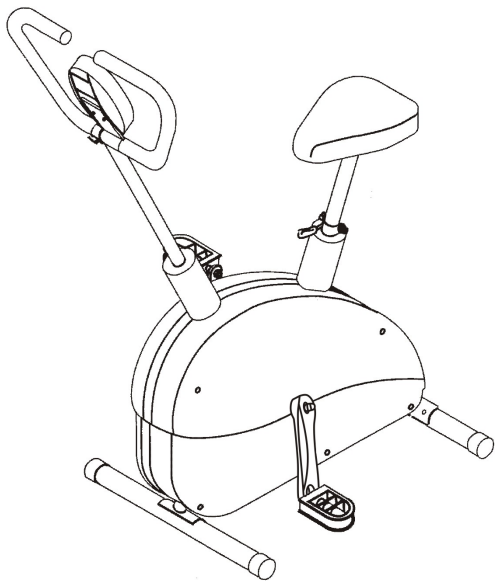


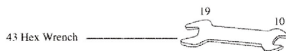
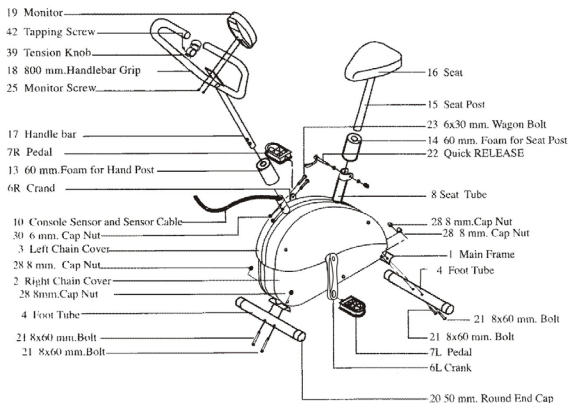
Kids Bike



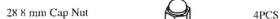
General warning and caution:

- recommended ages 4-8 years old
- not intended for use by child over 68kg
- please consult with your child's pediatrician before use
- never leave child unattended while he/she is using this product
- keep small unassembled parts and plastic bags out of children's reach
- care should be taken in unpacking and assembly of the product, children should not handle parts, including batteries, or help in assembly of the product
- never use the product near steps, steep inclines, roadways, swimming pools or other type of water
- never allow more than one user at a time
- always have child wear shoes while using this product
- if any part of this product is broken, stop using immediately

Parts list:



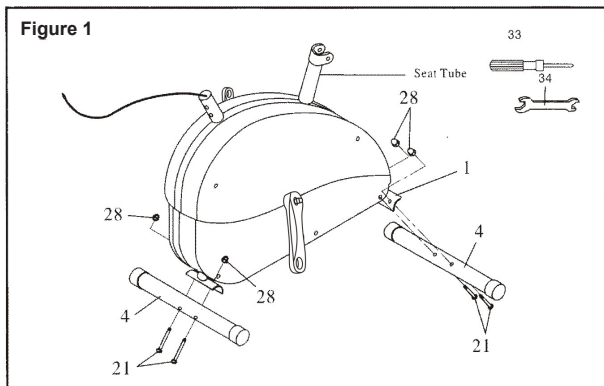
Fastener:



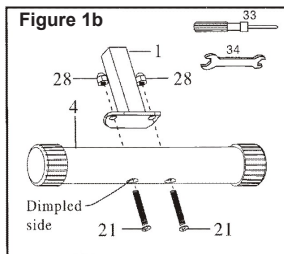
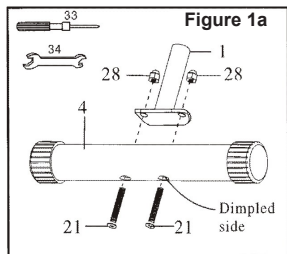
Assembly:

1.

Attach the Foot Tubes (4) as shown in Figure. Attach Main Frame (1) with 8x60 mm. Bolts (21) and 8mm. Cap nuts (28). Tighten with Screwdriver/ Spanner (33) and spanner (34).

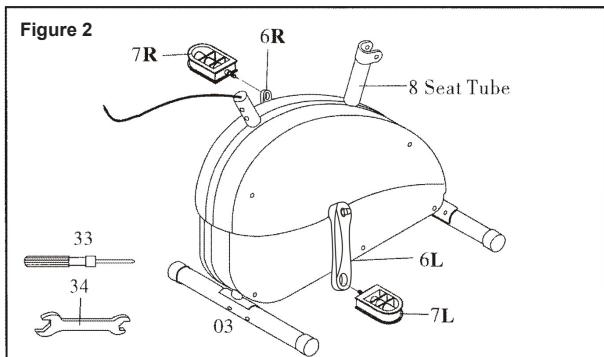


Important: Attach the dimpled side of Foot Tubes (4) down away from main frame (1) as shown in Figure 1a and Figure 1b.

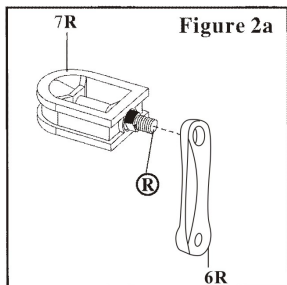


2.

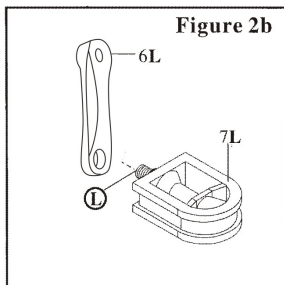
Attach the pedals (7R & 7L) to cranks (6R & 6L) as shown in Figure 2 and use Spanner (34) & Screwdriver/spanner (33) provide to tighten the left pedal (7L) to the left side crank (6L) and Right pedal (7R) to the right side crank (6R), the pedals are marked L for left and R for right.



Right Side



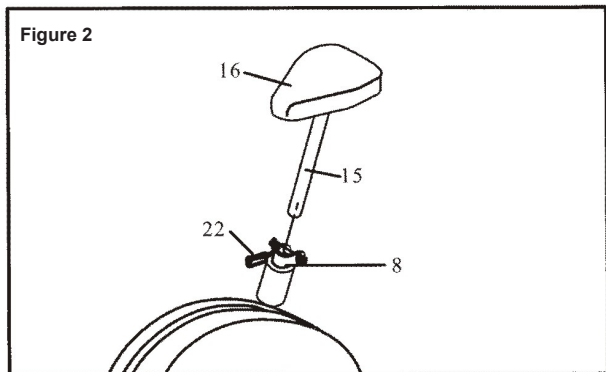
Left Side



3.

Insert post (15) into seat tube (8). Then tighten the quick release (22) with spanner (34).

Warning: Never move the seat up beyond the quick release with spanner (34).

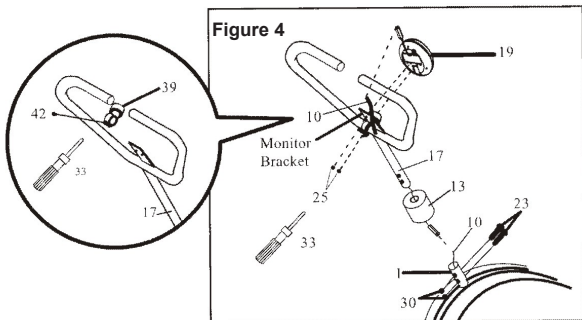


Insert post (15) into seat tube (8). Then tighten the quick release (22) with spanner (34).

Warning: Never move the seat up beyond the quick release with spanner (34).

4.

Attach 60 mm. Foam for Handle Post(13) to the Handle Bar (17) as shown in Figure (4), Plug the sensor cable before insert the Handle Bar into the Main Frame (1). Secure with 6x30 mm. Round Head Screw (23) and 6 mm. Cap Nut (30). Tighten with Hex Wrench (43). Now pull the Foam down to cover the screws and bolt heads. Release Tapping Screw(42) (preset on Tension Knob(39)) with Screwdriver(33). Then attach Tension Knob(39) to the handle Bar(17), and then tighten Tapping Screw(42). To Setup the Monitor : Install battery into monitor first. Then attach Monitor (19) to the Handle Bar (17) (as shown in Figure 4) with Monitor Srews (25), then Plug the Sensor Cable(10) into the Monitor(19).



--Battery installation--

To Setup the Monitor: Insert the Batteries first.

- DO NOT MIX OLD AND NEW BATTERIES
- DO NOT MIX ALKALINE, STANDARD (CARBON ZINC), OR RECHARGEABLE (NICKEL-CADMIUM) BATTERIES

- REMOVE BATTERY COVER TO INSTALL BATTERIES.
- MAKE SURE TO MATCH NEGATIVE AND POSITIVE TERMINALS.
- 1 "AAA" BATTERIES REQUIRED (NOT INCLUDED)
- TOOL: SCREWDRIVER (NOT INCLUDED)

