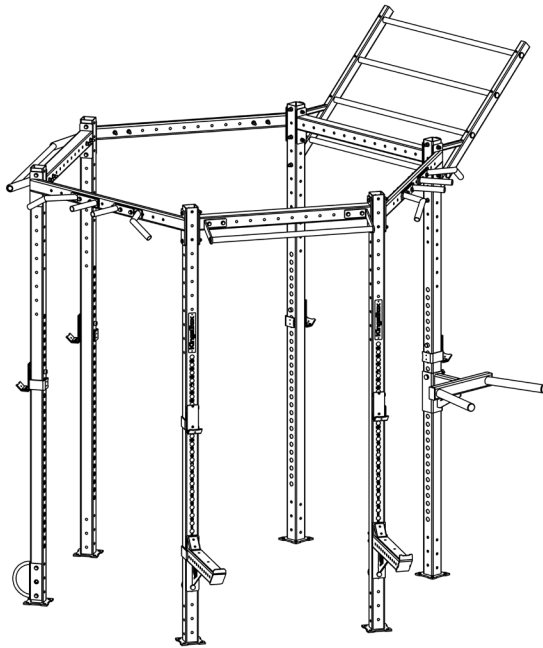


# KingsBox Hexagon Rack



**Manufacturer:**  
Kingsbox d.o.o.  
Bazoviška 7a, 6210 Sežana  
Slovenia

**KingsBox®**  
BUILDING BETTER HUMANS

**Customer service:**

Write us on [info@kingsbox.com](mailto:info@kingsbox.com) or send us a message through our website at [www.kingsbox.com/help](http://www.kingsbox.com/help)

**Usage class:**

Studio (S)

**Designed in compliance with:**

ISO 20957

**Warnings:**

- Freestanding equipment shall be installed on a stable and levelled base
- All equipment designed with anchoring/attachement holes (e.g. rigs, racks, equipment and accessories for racks, storage pins/shelves, etc.) should be securely screwed to the fixed ground/wall/structure through all the designated fixing holes and with appropriate sized screws.
- Injuries to health may result from incorrect or excessive training
- Keep unsupervised children away from the equipment

**OPOZORILO!**

Če se struktura prevrne, lahko pride do resnih telesnih poškodb. Da bi preprečili nevarnost, da se ta struktura prevrne, mora biti pritrjena na steno in / ali v tla.

Vijaki za pritrjevanje strukture na steno oz. tla niso priloženi, saj r različne sestave zidov oz. tal zahtevajo različne vrste pritrdilnih elementov. Uporabite take, ki ustrezajo sestavi vaše stene oz. tal.

**WARNING!**

If the structure is not secured to the ground and / or to the wall, it may overturn and / or cause damage to person or object in the immediate vicinity.

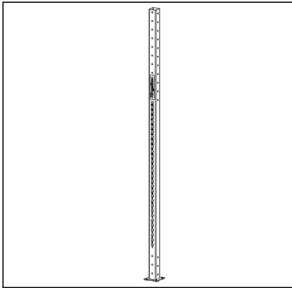
The fixing bolts for wall and / or floor are not included in the pack-age, since different types of anchor bolts must be used for different wall / floor types.

**ATTENZIONE!**

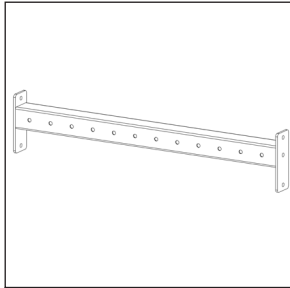
Se la struttura non viene fissata a terra e/o al muro, può ribaltarsi e/o provocare danni a persone o oggetti in immediata vicinanza.

I bulloni per il fissaggio del rig a muro e/o al pavimento non sono inclusi nel pacco, in quanto per diversi tipi di muro / pavim-entazione bisogna utilizzare diversi tipi di bulloni d'ancoraggio.

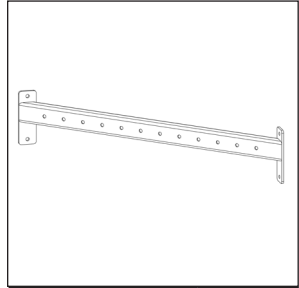
## Assembly elements:



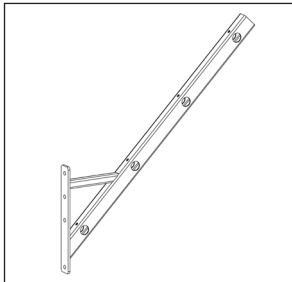
<b>Position 1</b>	<b>6x</b>
<b>Upright F 2750</b>	



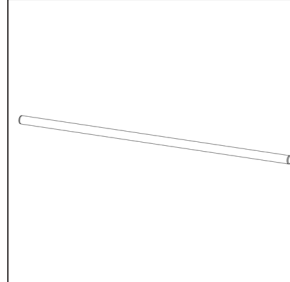
<b>Position 2</b>	<b>3x</b>
<b>Universal Profile F 1100</b>	



<b>Position 3</b>	<b>3x</b>
<b>Hexagon Profil F</b>	



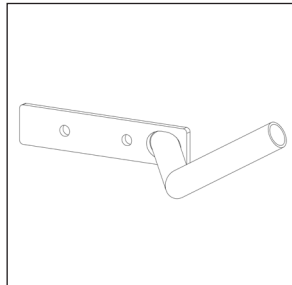
<b>Position 4</b>	<b>2x</b>
<b>Ladder PU Bar Arm</b>	



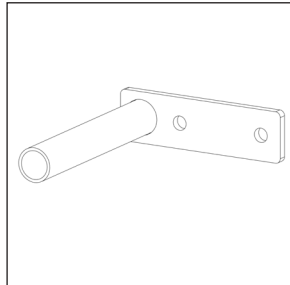
<b>Position 5</b>	<b>4x</b>
<b>Ladder PU Bar 1220</b>	



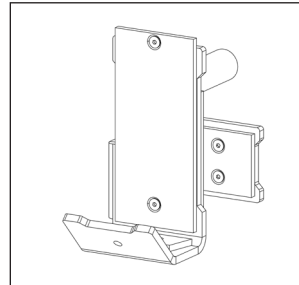
<b>Position 6</b>	<b>3x</b>
<b>Monkey Mount S PU Bar 1038</b>	



<b>Position 7</b>	<b>2x</b>
<b>Modular Angled S Grip L</b>	

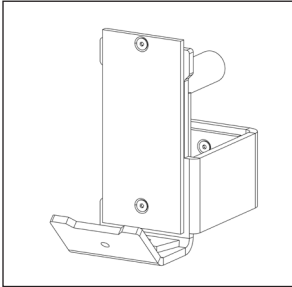


<b>Position 8</b>	<b>2x</b>
<b>Modular Neutral S Grip</b>	

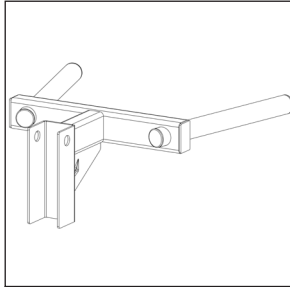


<b>Position 9</b>	<b>3x</b>
<b>J-Cup F L Rubber</b>	

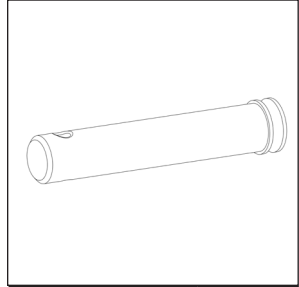
## Assembly elements:



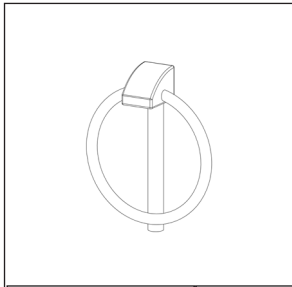
<b>Position 10</b>	<b>3x</b>
<b>J-Cup F D Rubber</b>	



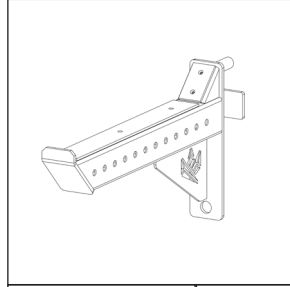
<b>Position 11</b>	<b>1x</b>
<b>Crown Dip Bar F</b>	



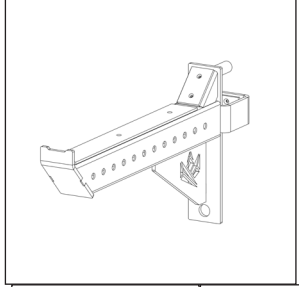
<b>Position 12</b>	<b>3x</b>
<b>Black Pin Bolt fi25</b>	



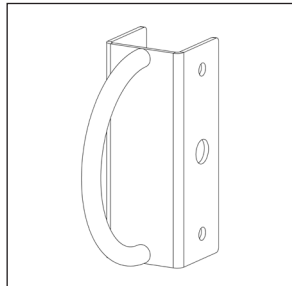
<b>Position 13</b>	<b>3x</b>
<b>Lynch pin yellow chrome 8mm</b>	



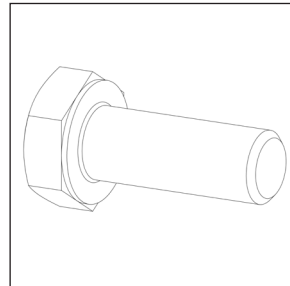
<b>Position 14</b>	<b>1x</b>
<b>Mighty Angel Arm II. L</b>	



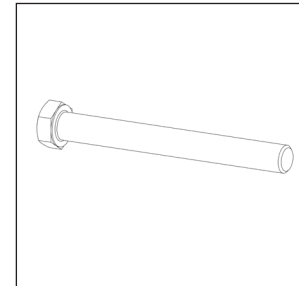
<b>Position 15</b>	<b>1x</b>
<b>Mighty Angel Arm II. R</b>	



<b>Position 16</b>	<b>1x</b>
<b>Battle Rope Hook F</b>	

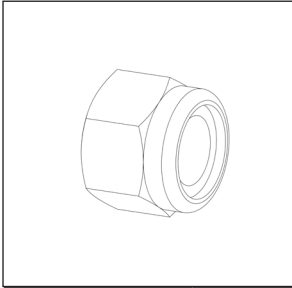


<b>Position 17</b>	<b>8x</b>
<b>Bolt M6</b>	

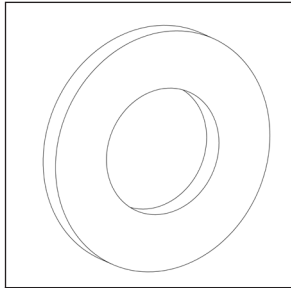


<b>Position 18</b>	<b>38x</b>
<b>Bolt M12</b>	

## Assembly elements:



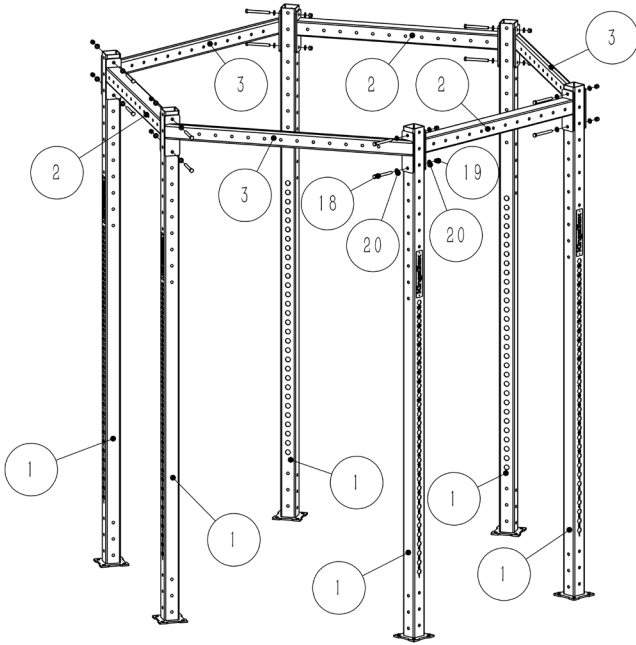
<b>Position 19</b>	<b>38×</b>
<b>Nut M12</b>	



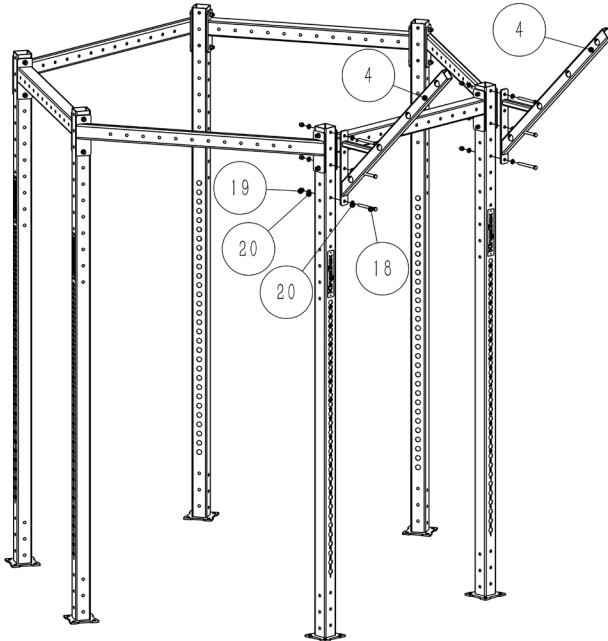
<b>Position 20</b>	<b>76×</b>
<b>Washer M12</b>	

# Assembly instruction:

# 1

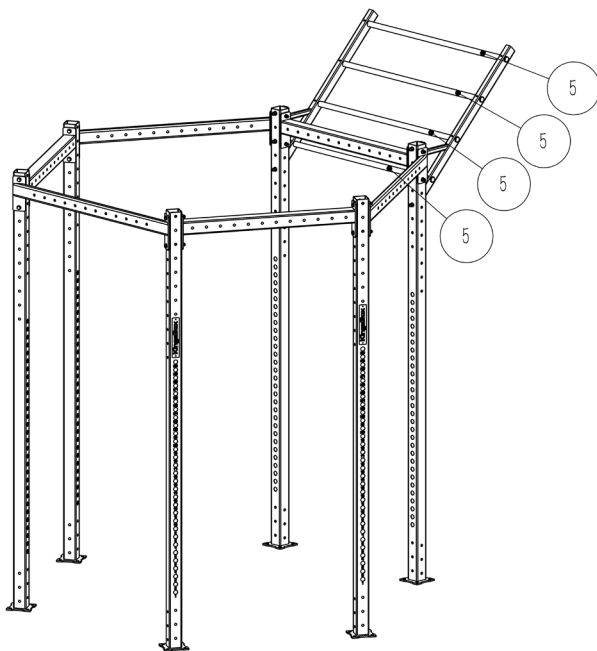


# 2

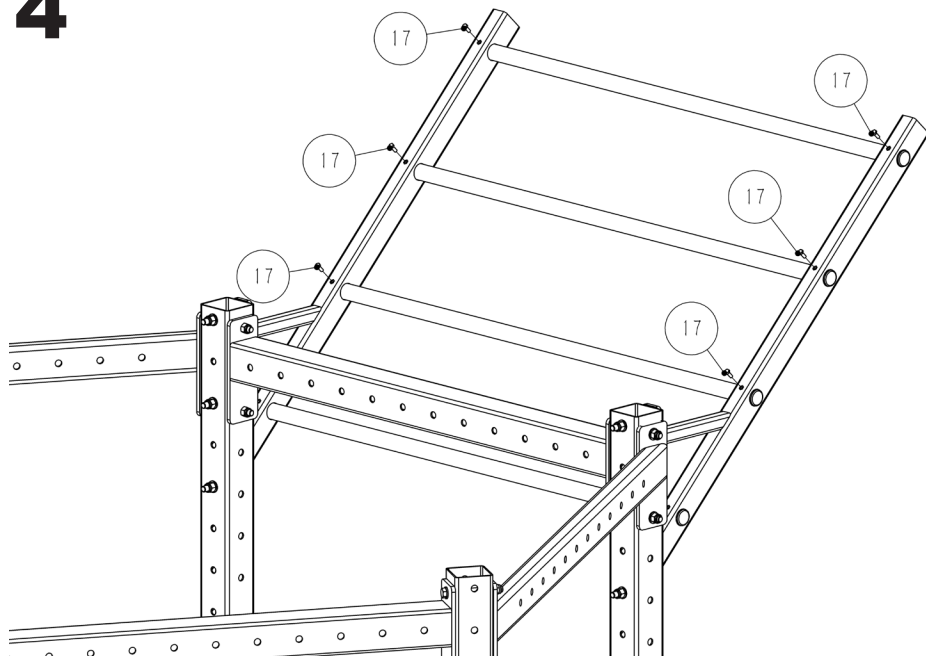


## Assembly instruction:

# 3

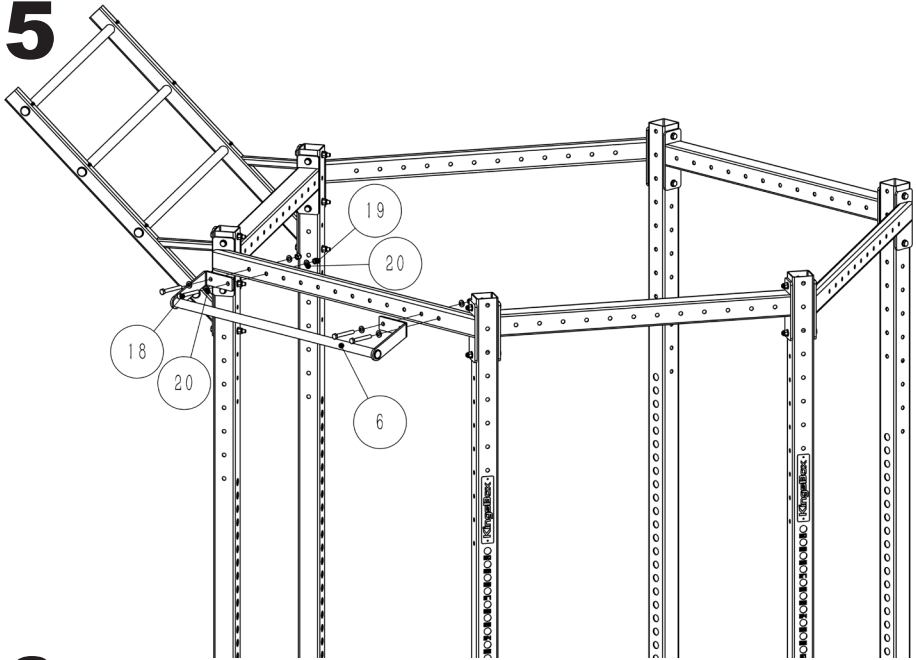


# 4

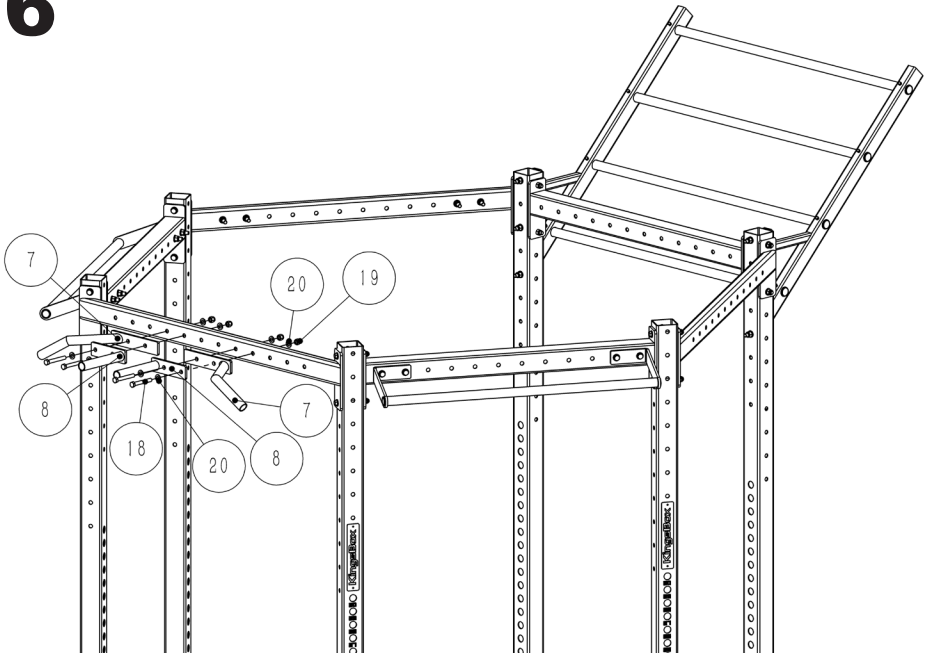


## Assembly instruction:

5



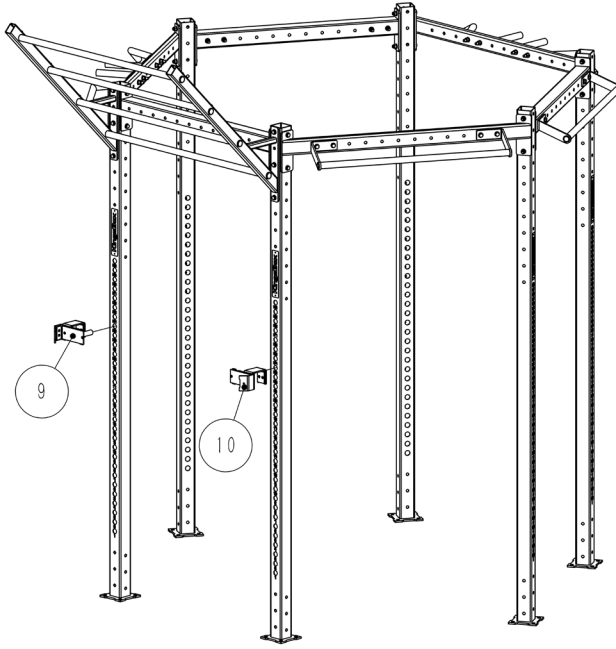
6



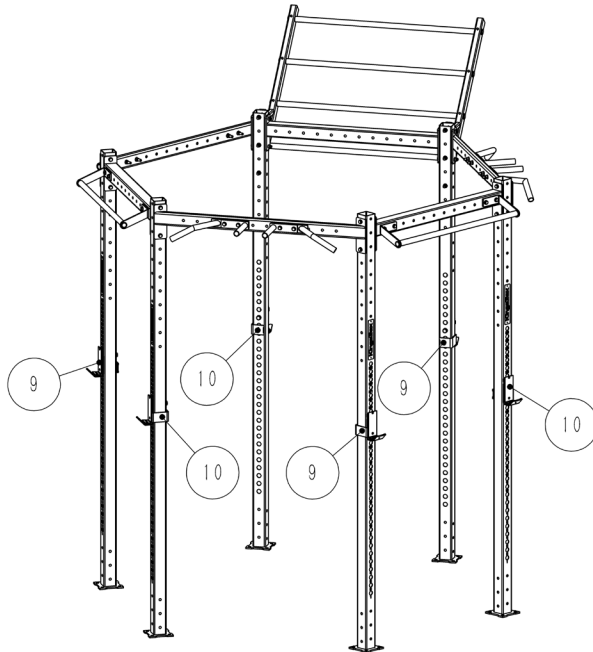


# Assembly instruction:

# 7

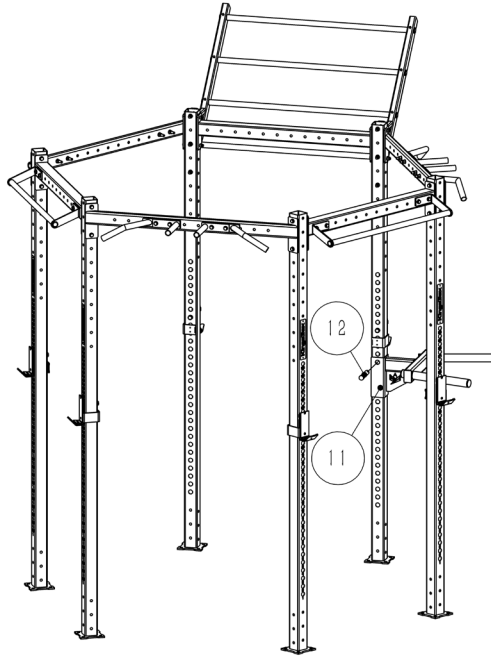


# 8

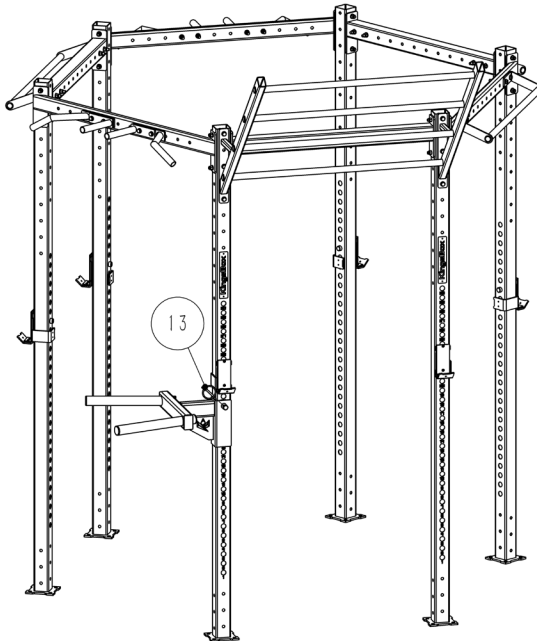


# Assembly instruction:

# 9

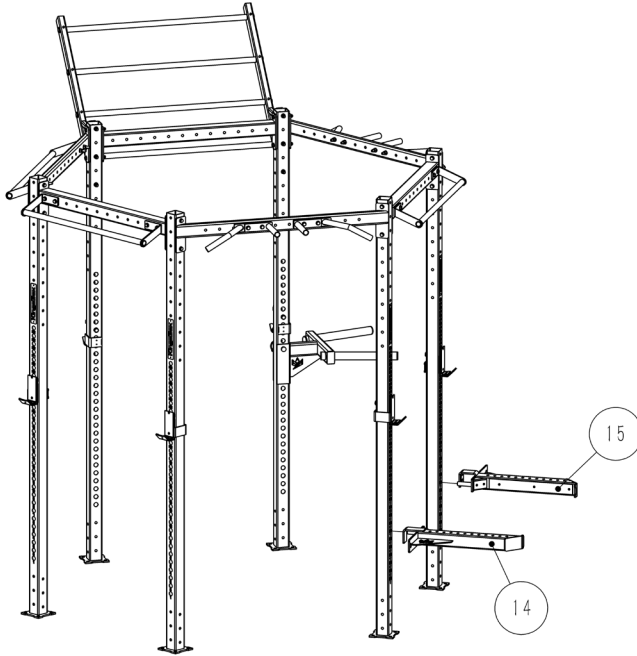


# 10

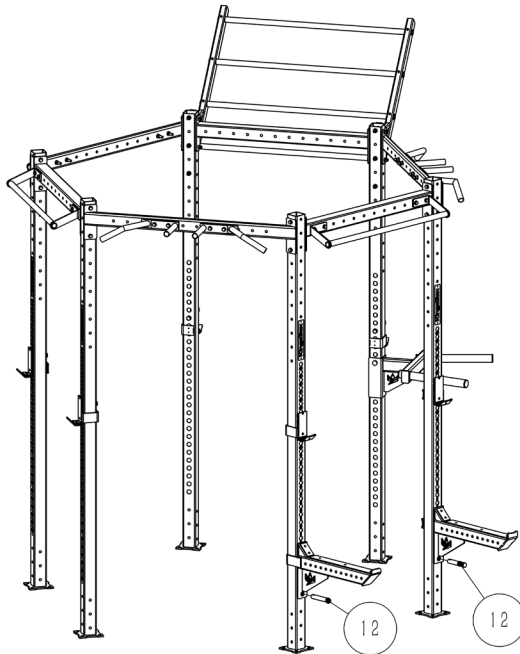


# Assembly instruction:

# 11

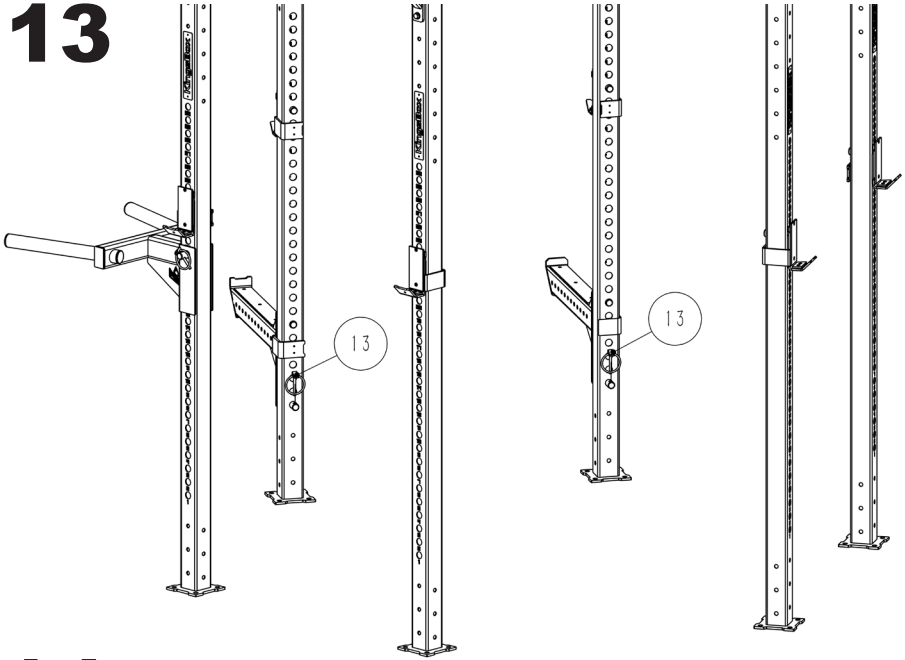


# 12

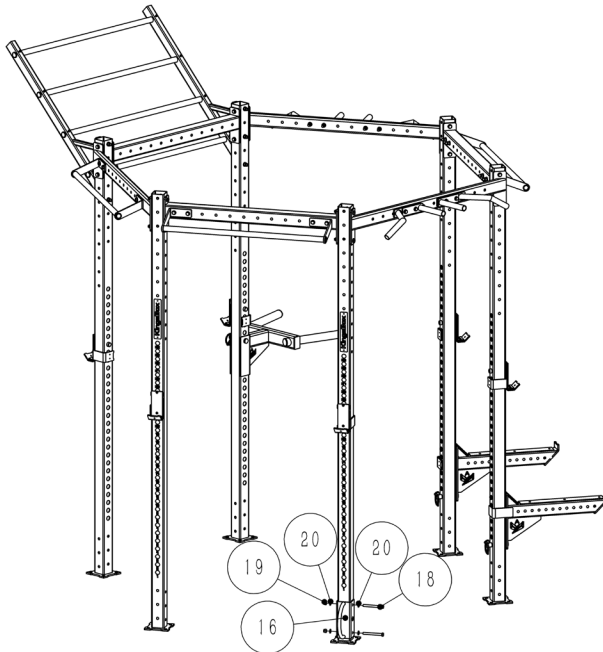


## Assembly instruction:

# 13



# 14



# 15

## Assembly instruction:

